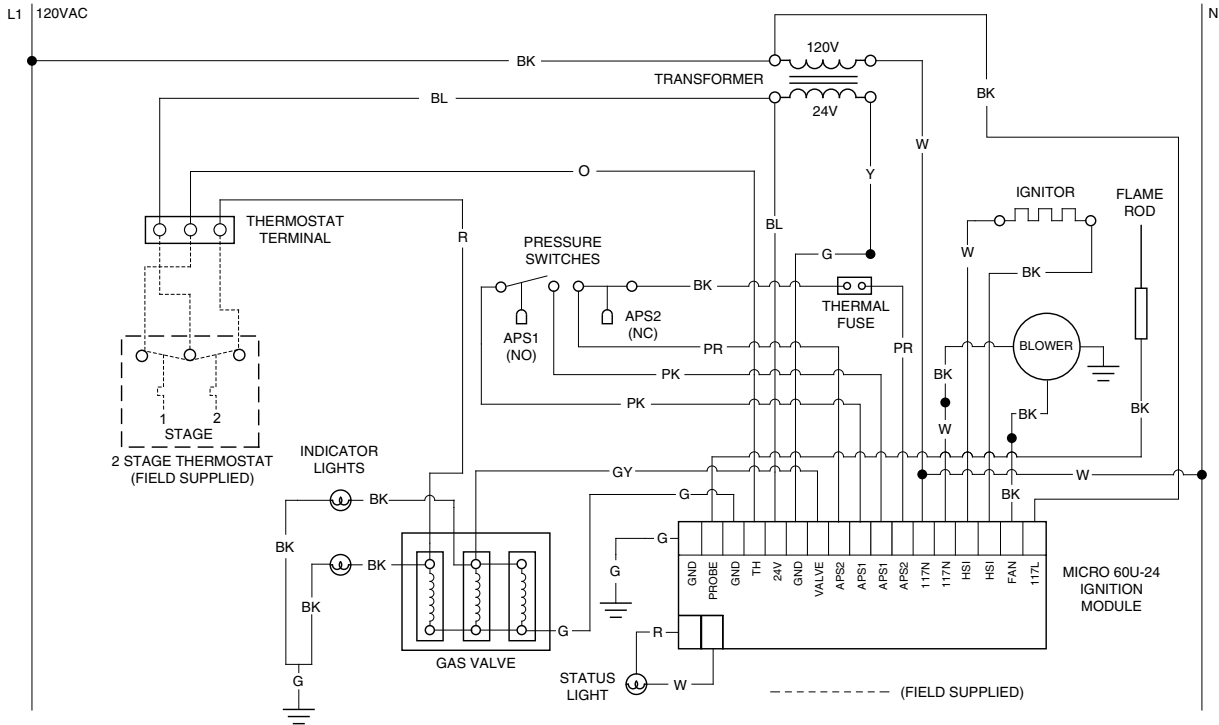


Before field wiring this appliance - Check existing wiring; replace if necessary.

NOTE: If any of the original wire supplied with the appliance must be replaced, it must be replaced with wiring material having a temperature rating of at least 105° C.

Figure 3.2 • LD Series Internal Wiring Diagrams

A. LD Micro 60U-24 Ladder Diagram



B. LD Series Micro 60U-24 Block Diagram

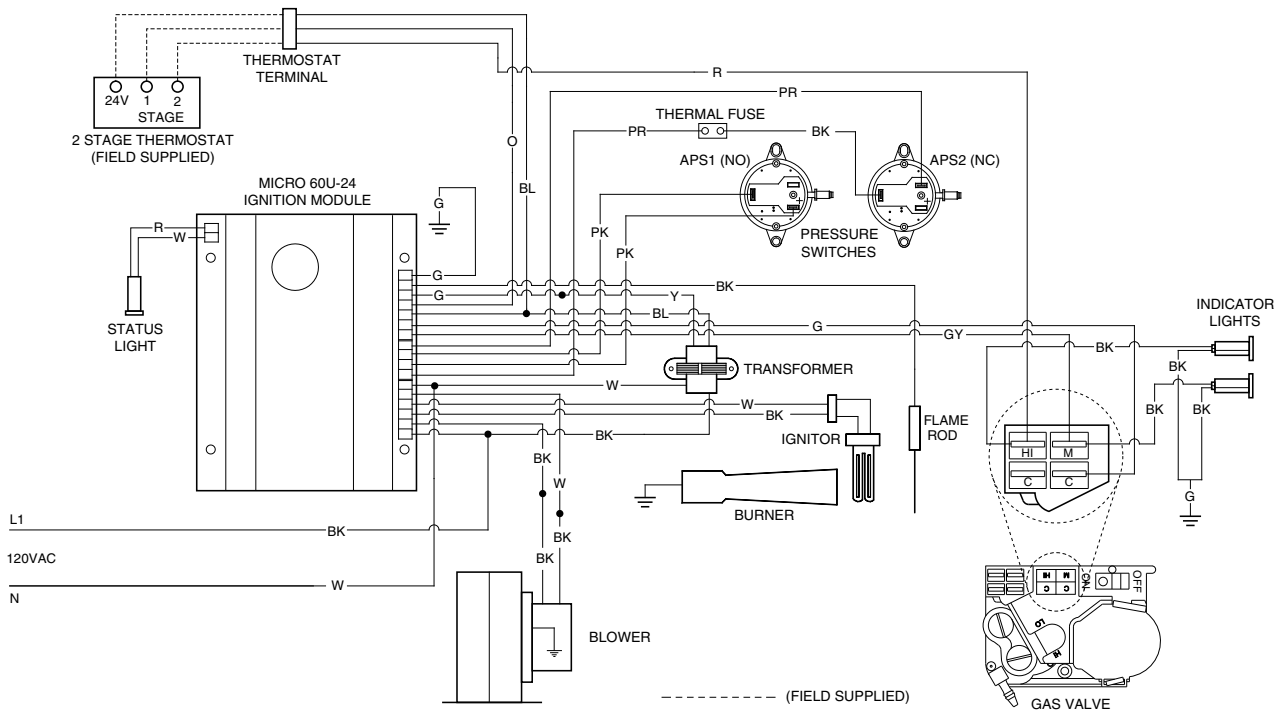
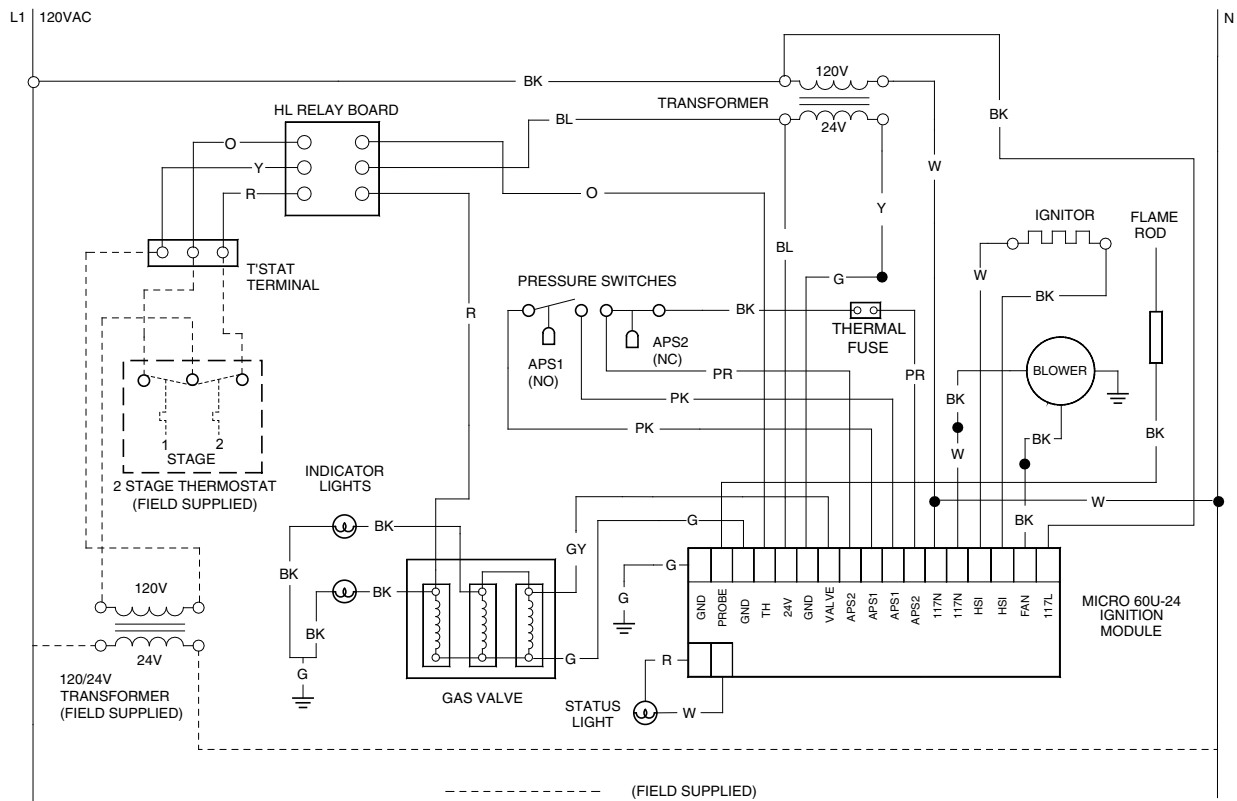


Figure 3.3 • LD Series Alternative Wiring Diagrams

A. LD Series Micro 60U-24 Ladder Diagram - With Relay Board



B. LD Series Micro 60U-24 Block Diagram - With Relay Board

