

WIRING DIAGRAM

DIAGRAM: **LLWT104** **AG1/DX3 SERIES**

WIRING INFORMATION:

LINE VOLTAGE:

FACTORY STANDARD _____
FACTORY OPTION _____
FIELD INSTALLED _____

LOW VOLTAGE:

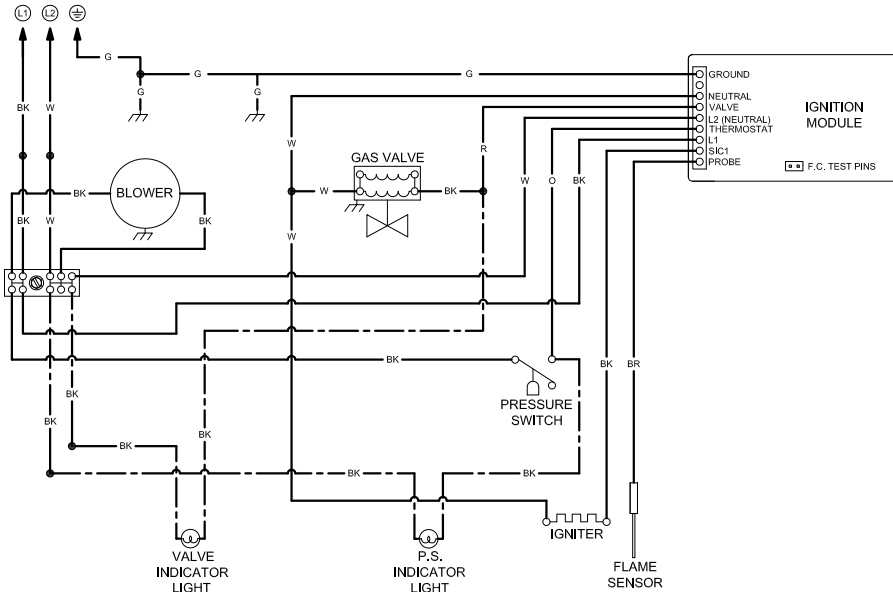
FACTORY STANDARD _____
FACTORY OPTION _____
FIELD INSTALLED _____

NOTES:

IF ANY OF THE ORIGINAL WIRE AS SUPPLIED WITH THE APPLIANCE MUST BE REPLACED, IT MUST BE REPLACED WITH WIRING MATERIAL HAVING THE RATING OF AT LEAST 600V 105°C

VOLTAGE:	FREQUENCY:	PHASE:
120VAC	60Hz	SINGLE

REVISION:	LITERATURE NUMBER:
3	LLWT104-1M-10/14 (CDS)



COMPONENT CODES

⊕ EARTH GROUND	TRANSFORMER	PRESSURE SWITCH
CHASSIS GROUND	BLOWER MOTOR	S.P.S.T. RELAY
Ⓛ LINE VOLTAGE	HOT SURFACE IGNITER	INDICATOR LIGHT
Ⓜ NEUTRAL	SPARK IGNITER	GAS VALVE
● WIRE NUT	FLAME SENSOR	QUICK-CONNECT TERM.

WIRING COLORS:

BK.....BLACK
BN.....BROWN
R.....RED
O.....ORANGE
Y.....YELLOW
G.....GREEN
BL.....BLUE
PR.....PURPLE
W.....WHITE
GY.....GRAY
PK.....PINK

WIRING DIAGRAM

DIAGRAM:

LLWT105
DX3/XTS3 SERIES (24VAO)

WIRING INFORMATION:

LINE VOLTAGE:

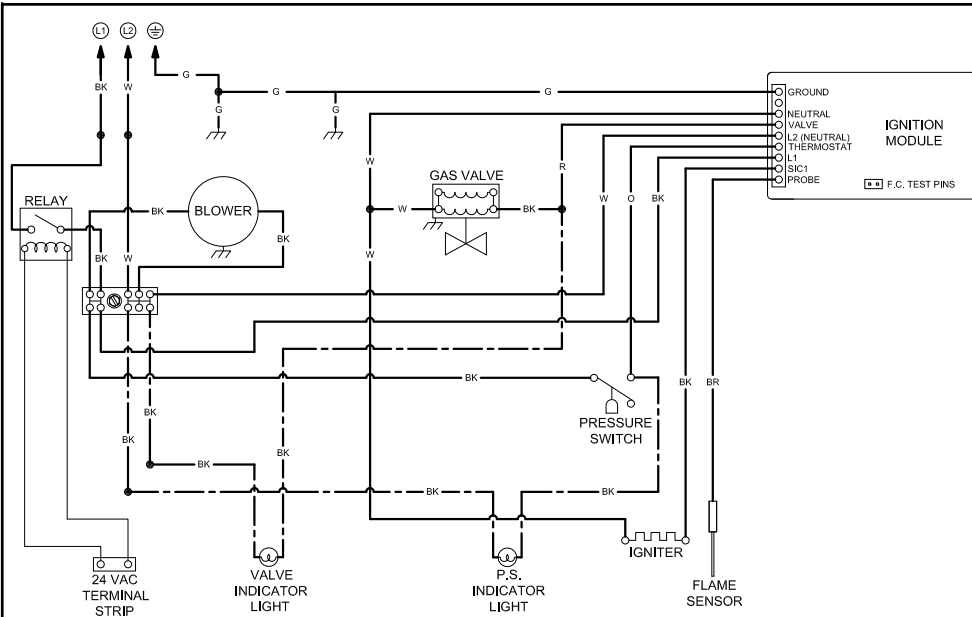
FACTORY STANDARD _____
FACTORY OPTION _____
FIELD INSTALLED _____

LOW VOLTAGE:

FACTORY STANDARD _____
FACTORY OPTION _____
FIELD INSTALLED _____

NOTES:

IF ANY OF THE ORIGINAL WIRE AS SUPPLIED WITH THE APPLIANCE MUST BE REPLACED, IT MUST BE REPLACED WITH WIRING MATERIAL HAVING THE RATING OF AT LEAST 600V 105°C



COMPONENT CODES

⊕	EARTH GROUND		TRANSFORMER		PRESSURE SWITCH
	CHASSIS GROUND		BLOWER MOTOR		S.P.S.T. RELAY
Ⓛ1	LINE VOLTAGE		HOT SURFACE IGNITER		INDICATOR LIGHT
Ⓛ2	NEUTRAL		SPARK IGNITER		GAS VALVE
●	WIRE NUT		FLAME SENSOR		QUICK-CONNECT TERM.

WIRING COLORS:

BK.....BLACK
BN.....BROWN
R.....RED
O.....ORANGE
Y.....YELLOW
G.....GREEN
BL.....BLUE
PR.....PURPLE
W.....WHITE
GY.....GRAY
PK.....PINK

VOLTAGE:

120VAC

FREQUENCY:

60Hz

PHASE:

SINGLE

REVISION:

2

LITERATURE NUMBER:

LLWT 105-1M-08/12 (CDS)