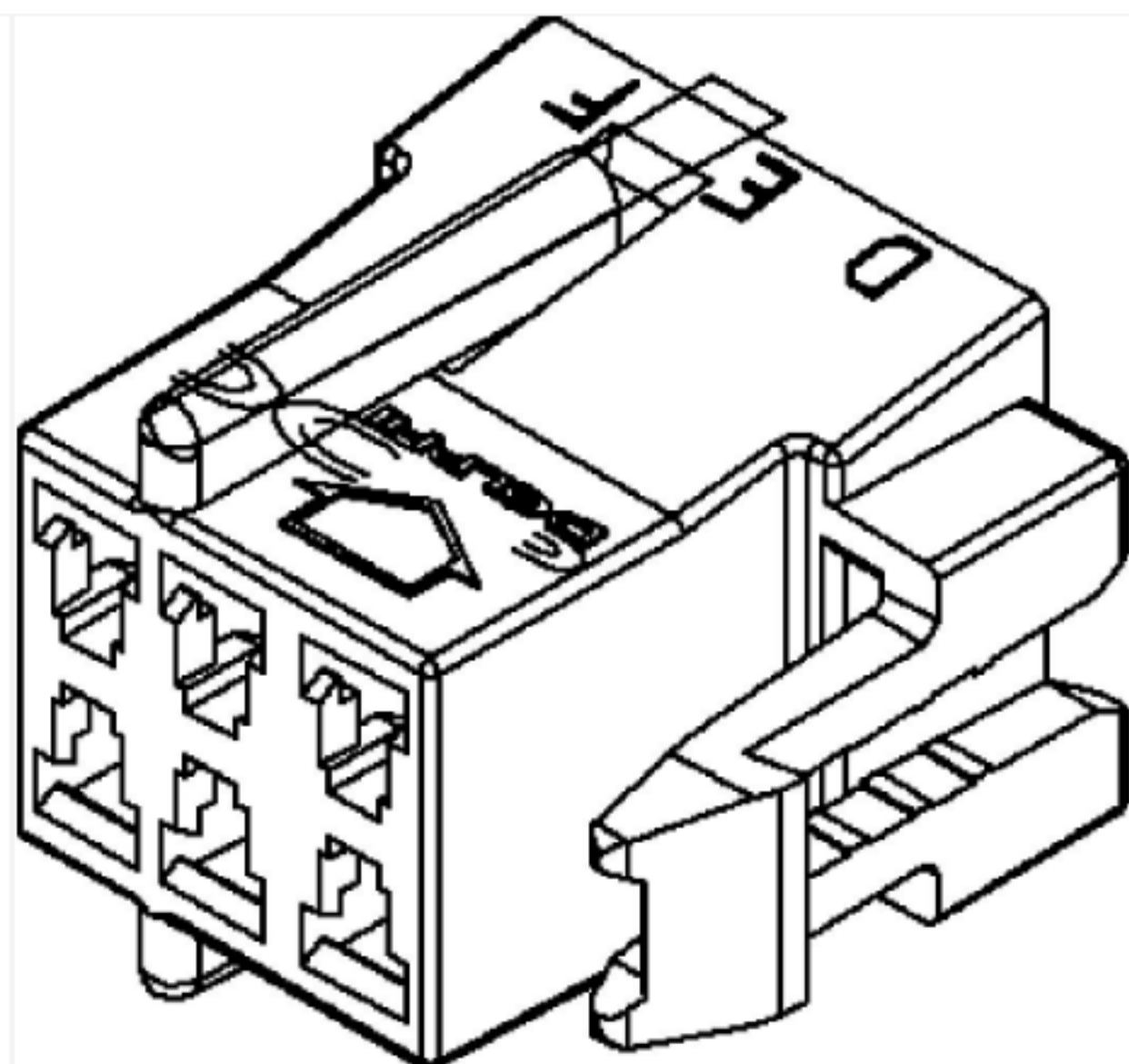


SEARCH KEYWORD, PART NUMBER



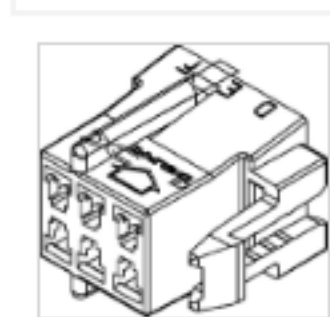
Part Number: 12015344

Product Name: [Generic Connectors](#)

6 Way F M/P 280 Unsealed

[Share](#) [Print](#) [Contact Us About This Item](#)

GET SAMPLES

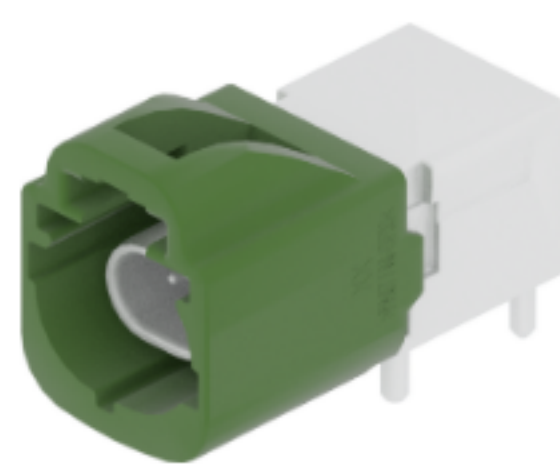


ATTRIBUTES DOCUMENTS ECAD COMPATIBLE PARTS

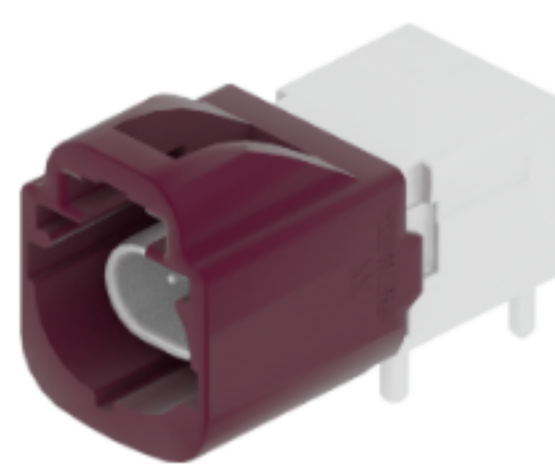
Attributes

Product Family Generic Connectors	Color BLACK
No. of Ways 6	Primary Locking Mechanism CAVITY LOCK
Cable Exit Orientation 180°	Weight (g) 3.5442
Gender Female	Terminal 1 Size 2.8
Length (mm) 27.5	Sealing Unsealed
Width (mm) 17.7	Primary Material PP
Height (mm) 22.3	

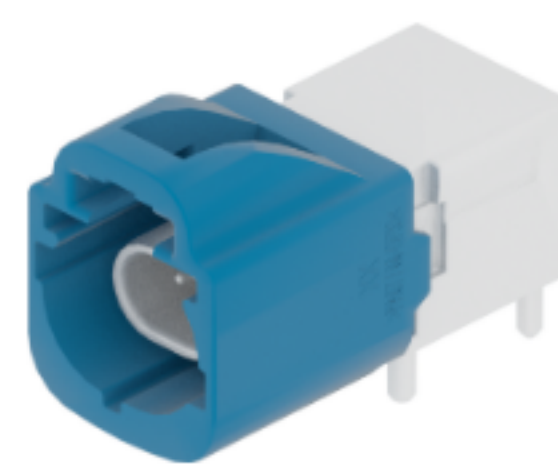
Other Products



**35829171**  
2 Way Male 0.5 Unsealed Green



**35829170**  
2 Way Male 0.5 Unsealed Violet

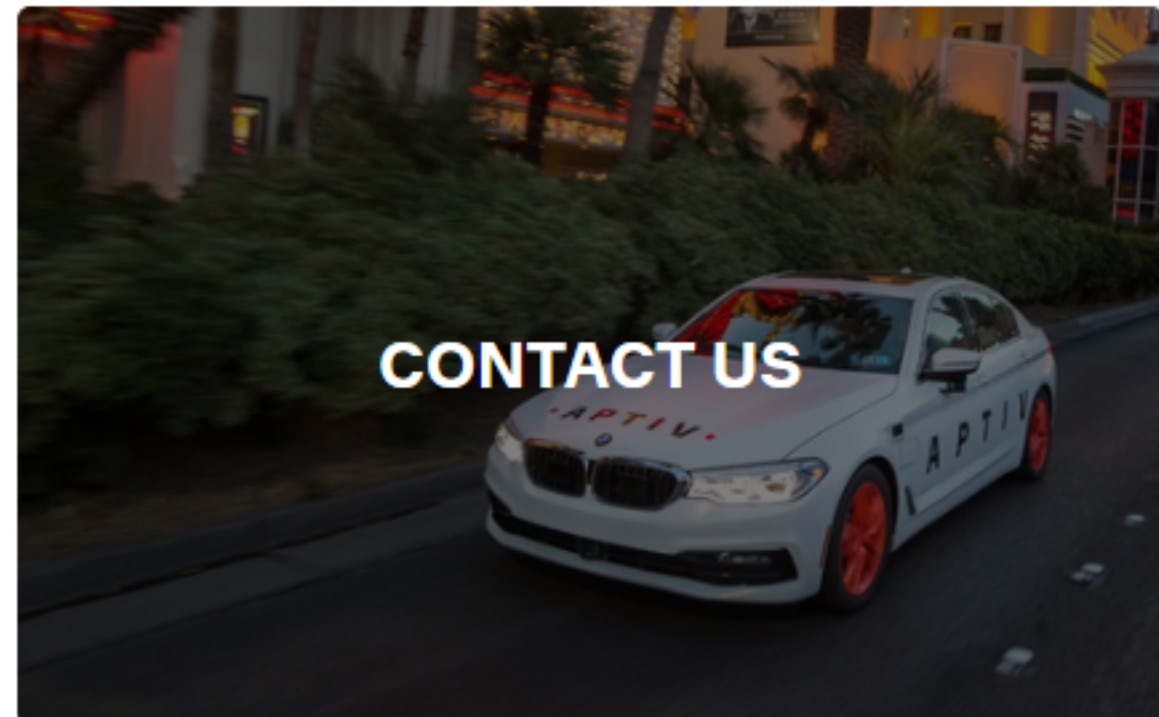


**35829169**  
2 Way Male 0.5 Unsealed Blue

**RESOURCE-CENTER-ITEM**  
COV CONN CLIP CDT BLACK



Next Steps



Keep pace with where mobility is going.

See what's next and get the latest updates.

SIGN UP TO GET UPDATES

Don't worry. We won't flood your inbox or share your email.

INSIGHTS

- EXPLORE ALL ARTICLES
- CASE STUDIES
- MOBILITY INSIDER
- RESEARCH PUBLICATIONS
- WHITE PAPERS

SOLUTIONS

- Advanced Safety
- Connected Services
- Connection Systems
- Connectivity and Security
- Electrical Distribution Systems
- Middleware & DevOps
- Smart Vehicle Architecture
- User Experience
- Vehicle Electrification Systems
- HellermannTyton
- Intercable Automotive Solutions
- Motional
- Winchester Interconnect
- Wind River

CATALOG

ABOUT

- Our Mission
- Our Businesses
- Our Locations
- Our Foundation
- Sustainability
- Suppliers

PRIVACY

- Terms of Use
- Cookie Policy

LEGAL & COMPLIANCE

CAREERS

- INVESTORS
- NEWSROOM
- CONTACT