



SV-6819.EM

170° Embedded Style CMOS Color Camera with Rotating Lens



INSTALLATION INSTRUCTIONS:

The SV-6819.EM is an ultra-small embedded style lip-mount waterproof back-up camera, designed to be installed on any vehicle. The camera mounts like a flush-mount camera but gives the appearance of a lip-mount camera once installed. The small size allows it to fit in almost any location on any vehicle as long as it's a flat surface and the ultra-wide vehicle angle makes it perfect for vehicles with larger blind spots.

FEATURES:

- The 170° ultra wide-angle CMOS color camera provides rear images in real time and eliminates the dangerous "blind-spot" directly behind your vehicle when backing up.
- Installs like a flush-mount camera but gives the lip-mount appearance
- Normal and reverse image selectable
- Camera lens can be swiveled for better viewing angle
- Constructed of high-grade plastic
- Hole-saw bit provided for installation
- Easily connects with other SecurView™ products such as any of the LCD monitors. It can also be integrated with your existing OEM or aftermarket LCD/TFT displays.
- Waterproof Design (IP68)

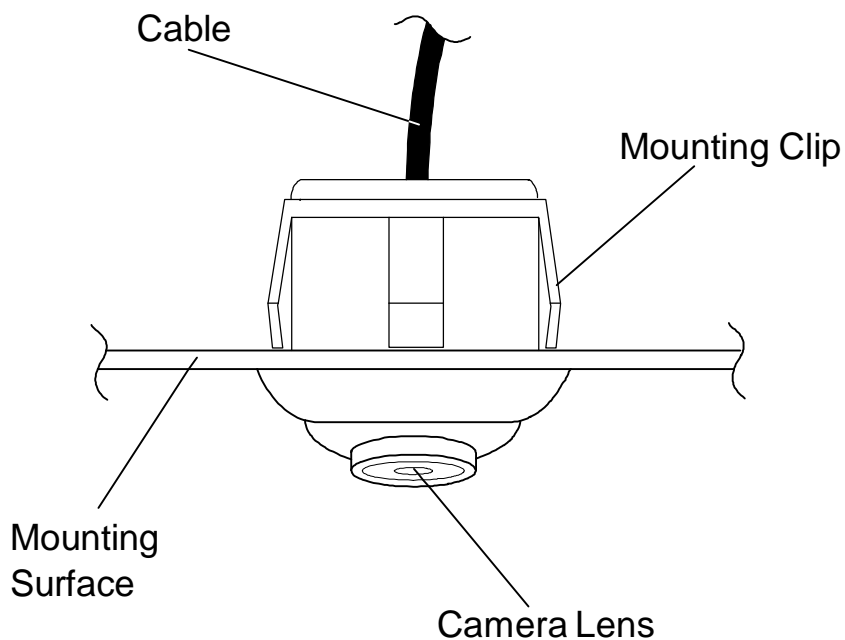
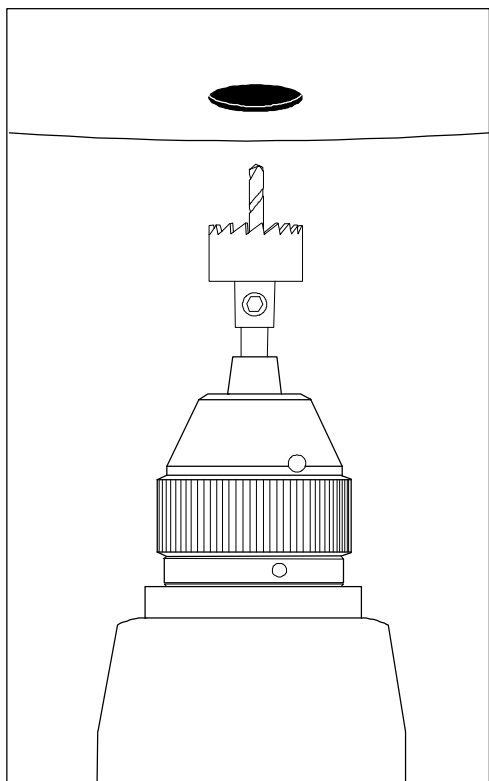
INSTALLATION

MOUNTING:

1. Find a suitable location on the trunk lip or license plate bezel to secure the camera down to the body of the vehicle
2. Make sure the mounting location that you choose is on a flat surface so that when the camera is installed there will be no uneven gaps around the edges.
3. Use the supplied hole-saw bit to drill the hole of the camera's insert mounting clip.
4. Route the wire harness through the rear bumper of the vehicle or through any kind of rubber grommet on the vehicle. If you have to drill a hole, make sure to seal the hole once you route the wiring through to prevent leaking or moisture damage.
5. Once the wire harness is routed and secure, snap the camera into place. The mounting clip should snap easily through the hole and lock down to the mounting surface.

NOTE: Make sure to use the supplied hole-saw bit to drill the hole for the insert. This will help you to avoid any mistakes in drilling the hole too big or too small.

Use the Provided Hole Saw Bit to Drill the Hole for the Camera



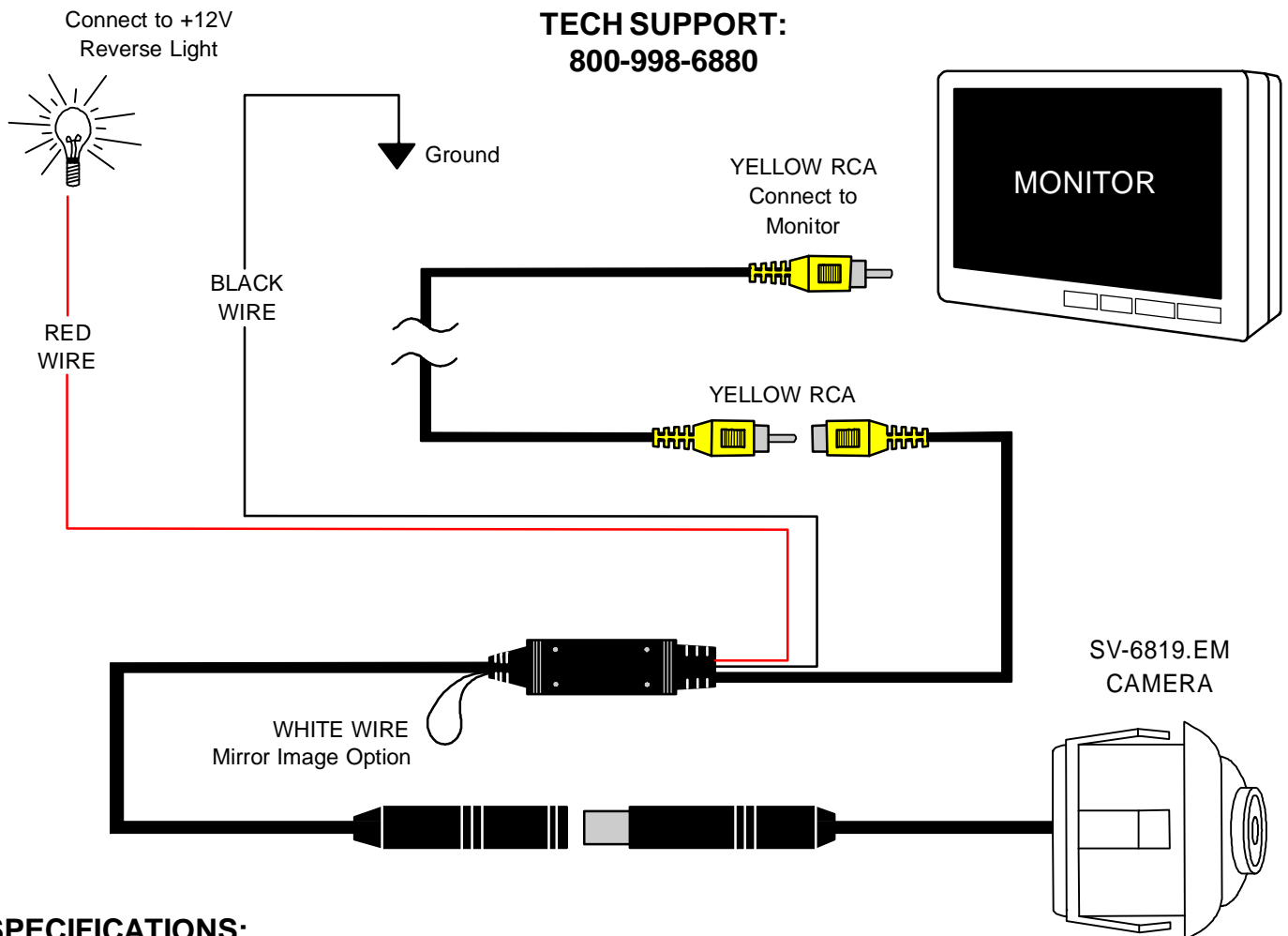
CAMERA SIDE VIEW

REVERSE (MIRROR) IMAGING:

The SV-6819.EM Camera has built-in circuitry to “mirror” the image so objects on the right of vehicle appear on the right and objects on the left appear on the left when looking at a standard monitor. If your existing monitor or in-dash monitor has a reverse camera input where the monitor itself performs the mirror image, then your picture will not be correct. If this happens, the SV-6819.EM camera has wire that can be cut reverse the image back to normal. (See Wiring Diagram)

WIRING:

1. Carefully choose a hidden out-of-sight location for drilling the cable hole. Some vehicles may have an existing hidden rubber grommet or plug available to avoid having to drill into the body. Be sure to double-check for any wiring or obstructions behind the surface where you are going to drill the cable hole. Use the rubber grommet to make a watertight seal for the cable where it passes into the vehicle.
2. Choose a convenient place to run the camera cable up the left, right or center of the vehicle. As a rule of thumb, try to avoid main factory harness looms that may contain high levels or RF noise or interference.
3. You can connect the camera power at the rear of the vehicle behind the reverse lights. You may also connect power inside the vehicle under the dash or in the trunk. The Red power wire goes to Reverse Light +12V, and the Black wire to Ground. The White wire that comes out of the side of the harness is for reverse imaging. Keep the wire connected for normal image or cut the wire in half for reverse image.
4. Run the Yellow RCA video cable to the monitor's video input or reverse camera input.



SPECIFICATIONS:

1/4 Inch Color CMOS Sensor
Dimension (In.): 1 "(L) x 1 1/8" (W) x 1 1/8" (D)
Weight: 7 Oz.
Pixels: 712 (H) x 486 (V)
Resolution: > 250,000 pixels
420 TV lines
Minimum Illumination: 1 LUX / F 1.2
Lens Type: Wide Angle
Horizontal Angle: 170°
Vertical Angle: 90°

Video Output: 1.0 V P-P composite (75 Ohm load)
Supply Voltage: +12VDC
Power Consumption: 70mA
Electronic Shutter: 1/50 s – 1/100000s
White Balance: Automatic
Gamma Correction: 0.45
S/N Ratio: More than 48dB
Operating Temp: -13° to 185° F (-25° to 85° C)
Gain Control: Automatic

CAMERA:

1. The color CMOS camera is maintenance-free, waterproof (IP-68) and vibration resistant.
2. This camera is designed to work well in day time or night time conditions.
3. The camera is completely electronic. There are NO manual adjustments for focus, etc.

DISCLAIMER:

Under no circumstances shall the manufacturer or distributor of the Securview™ be held liable for consequential or incidental damages sustained in connection with the use of the Securview™ Rear Vision System. The Securview™ is designed as a safety enhancement device and is in no way intended as a replacement for rear-view mirrors, side-view mirrors or physically checking the surroundings when backing a vehicle. Always check surroundings for safety when backing! Objects on the monitor are closer than they appear. For the best fit, modification of the vehicle license may or may not be necessary. It is the sole responsibility of the vehicle owner to check and verify any and all State or Federal Motor vehicle codes with regards to modifications of vehicle license plates. The manufacturer of the Securview™ assumes no liability or responsibility whatsoever with regards modifications of the license plate.

The logo for Crimestopper, featuring the word "CRIMESTOPPER" in a bold, black, sans-serif font. The letters are white with a black outline, and the text is set against a solid black rectangular background.

www.crimestopper.com
email@crimestopper.com
Phone (800) 998-6880
FAX (805) 581-9500

© 2013 Crimestopper Security Products