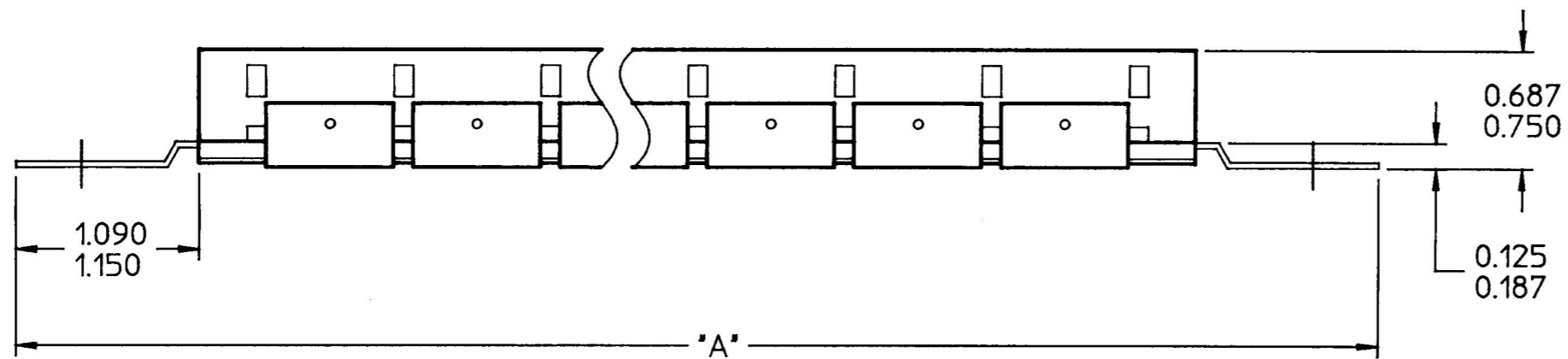
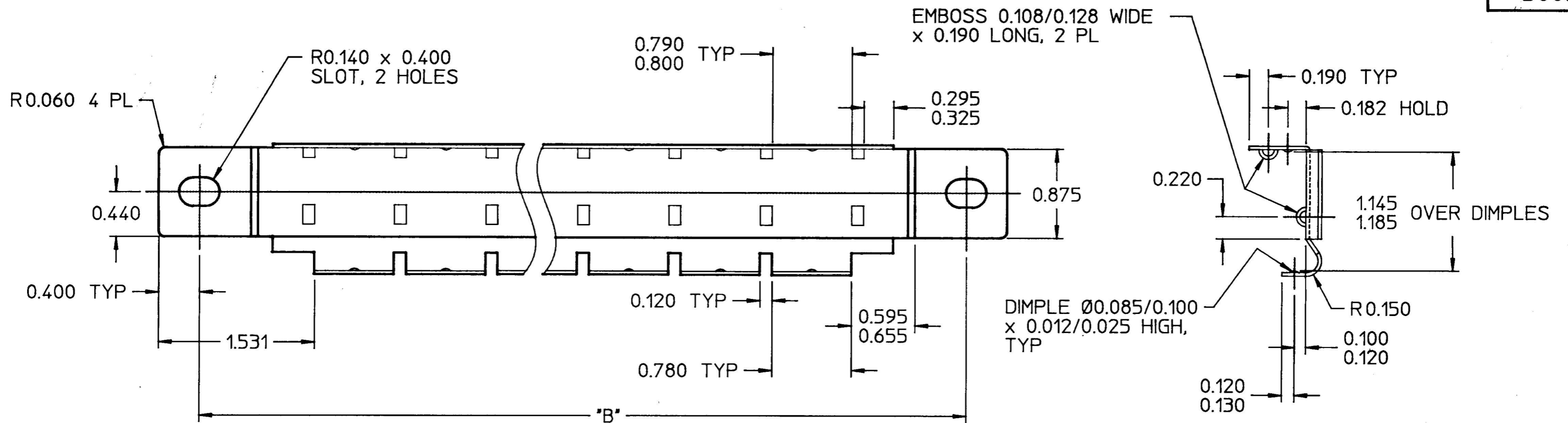


30090



30090-12	12	13.87	13.06
30090-11	11	12.96	12.15
30090-10	10	12.06	11.25
30090-9	9	11.15	10.34
30090-8	8	10.25	9.43
30090-7	7	9.34	8.53
30090-6	6	8.43	7.62
30090-5	5	7.53	6.71
30090-4	4	6.62	5.81
30090-3	3	5.71	4.86
30090-2	2	4.81	4.00
30090-1	1	3.90	3.09
PART NO.	NO. OF STATIONS	DIM. 'A'	DIM. 'B'

NOTES:
1. MATERIAL: 20 GA. 0.036 CRS
1/2 HARD
2. FINISH: ZN15

DO NOT SCALE

LET.	WAS	DATE	BY	LET.	WAS	DATE	BY	MATERIAL NOTED	DRAWN	CHK	APVD	SCALE	DATE DRAWN
									RB	AF		1:1	2/12/57
								FINISH NOTED	Cole Hersee Co. 20 OLD COLONY AVENUE, BOSTON, MA, U.S.A. 02127				DATE BLUEPRINTED
				AB	PUT ON CAD NO CHANGES	3/23/89	LIZ	TOLERANCES DECIMAL ± ANGLE ±	BRACKET, CIRCUIT BRKR				30090