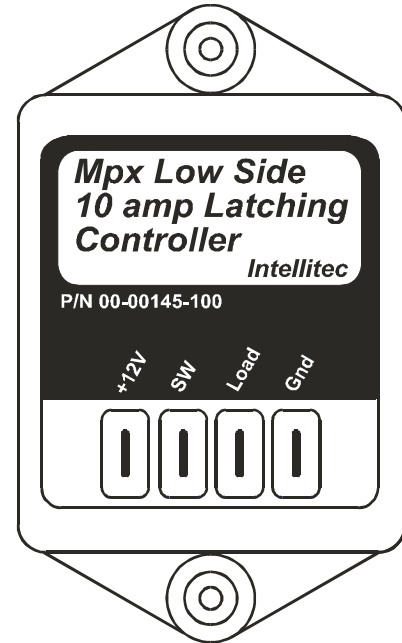


Water Pump Controller

Intellitec's Water Pump Controller, first in the family of MONOPLEX™ devices, offers the following benefits to water pump switching.

- Minimizes the use of heavy gauge wire that runs throughout the coach. Only two 14 gauge wires need to be run from the power source to the pump.
- Multipoint switching can be added anywhere along the network using simple wiring.
- Signaling from multiple points along the single wire MONOPLEX™ can be easily accomplished with inexpensive switches, providing momentary contact to ground.
- Simplified switches (momentary buttons) increase reliability.
- Negligible standby current makes this system superior to conventional multipoint relay switching.
- Labor and initial installation costs are reduced compared to multipoint switching using conventional switching.



Water Pump Controller-10Amp
P/N 00-00145-100

The **MONOPLEX™ Water Pump Controller** is designed to operate as a "low side", remote switch in 12 volt DC systems. As its name implies, it was designed to control the domestic water pump. Its use, however, is not limited to that. It can also be used to control a variety of other loads such as lighting, other pumps, fans, etc., when it is convenient to switch the ground side.

The unit is packaged in a plastic enclosure for mounting near the water pump with two flathead screws. It is capable of operating multiple switch points (as many as desired) and up to two LED power indicators may be utilized all on the same single wire. Power can be supplied from either the battery or converter.



Intellitec

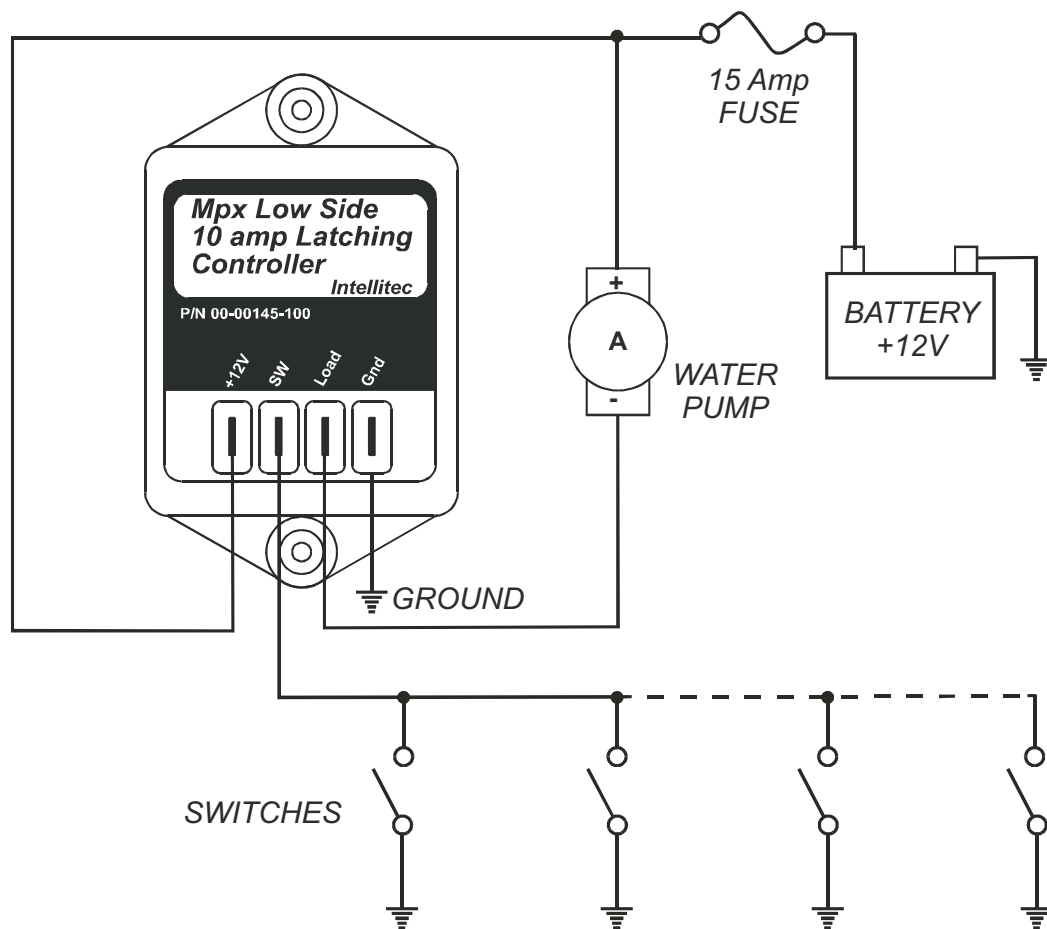
131 Eisenhower Lane North
Lombard, IL 60148
630.268.0010 / 1.800.251.2408
FAX 630.916.7890

Water Pump Controller

Specifications:

Part Number:	00-00145-100
Operating voltage:	10.0 - 16.0 VDC
Current carry capabilities:	10A Max
Standby current draw:	2 milliamps
Operating temperature:	-40°C to +85°C (-40°F to +185°F)

Typical Wiring Diagram:



Intellitec

131 Eisenhower Lane North
Lombard, IL 60148
630.268.0010 / 1.800.251.2408
FAX 630.916.7890

P/N 53-00145-100 Rev. A 081301