

7

CARVER CORPORATION
CT-24 SCHEMATICS

CT-24

1102-100044-000	CAP, LYTIC 10UF 50V +-20%	0
1001-201310-000	RES, CF 120 OHM 1W +-5%	0
1004-705320-000	RES, CF 4.7M OHM 2W +-5%	- 0
1023-900320-000	RES, FUSIBLE MO 39 OHM 2W	0
1024-707310-000	RES, FUS. MO 4.7 OHM 1W +-5%	0
1051-004512-120	RES, SEMI-FIXED 100KB +-20%	0
1061-004501-110	VOL W/MOTOR 100KAX2	0
1061-004501-180	RV162G 100Kx2B W/CENTER CLICK	0
1100-100042-100	CAP, CER .10PF 50V +-5% SL	0
1100-101043-000	CAP, CER 100PF 50V +-10%	0
1100-102043-100	CAP, CER 1000PF 50V +-10% Y5P	0
1100-104044-000	CAP, CER .1uF 50V +-20%	0
1100-104045-100	CAP, CER .1UF 50V +80-20% Y5V	0
1100-151043-001	CAP, CER 150PF 50V +-10%	0
1100-220042-000	CAP, CER 22pF 50V +-5%	0
1100-220042-001	CAP, CER 22PF +-5% NPO	0
1100-220042-100	CAP, CER 22PF 50V +-5% SL	0
1100-221043-000	CAP, CER 22OpF 50V +-10%	0
1100-223025-100	CAP, CER .022UF 25V +80-20% Y5	0
1100-270042-100	CAP, CER .27PF 50V +-5% SL	0
1100-271043-000	CAP, CER 270PF 50V +-10%	0
1100-330042-000	CAP, CER 33PF 50V +-5%	0
1100-470042-001	CAP, CER 47PF 50V +-5% NPO	0
1100-470043-000	CAP, CER 47PF 50V +-10%	0
1100-472044-100	CAP, CER 4700PF 50V -20% Y5R	0
1100-473045-100	CAP, CER .047UF 50V +80-20% Y5	0
1101-102062-000	CAP, MYLAR .001UF 100V +-5%	0
1101-102062-000	CAP, MYLAR .001UF 100V +-5%	174
1101-102062-000	CAP, MYLAR .001UF 100V +-5%	226
1101-103062-000	CAP, MYLAR .01UF 100V +-5%	0
1101-103062-000	CAP, MYLAR .01UF 100V +-5%	175
1101-103062-000	CAP, MYLAR .01UF 100V +-5%	184
1101-10362-000	CAP, MYLAR .01UF 100V +-5%	0
1101-104062-000	CAP, MYLAR .1UF 100V +-5%	0
1101-104062-000	CAP, MYLAR .1UF 100V +-5%	176
1101-104062-000	CAP, MYLAR .1UF 100V +-5%	185
1101-10462-000	CAP, MYLAR .1UF 100V +-5%	0
1101-122062-000	CAP, MYLAR .0012UF 100V +-5%	0
1101-123062-000	CAP, MYLAR .012UF 100V +-5%	0
1101-124063-000	CAP, MYLAR .12UF 100V +-10%	0
1101-183062-000	CAP, MYLAR .018UF 100V +-5%	0
1101-223062-000	CAP, MYLAR .022UF 100V +-5%	0
1101-392062-000	CAP, MYLAR .0039UF 100V +-5%	0
1101-472062-000	CAP, MYLAR 4700PF 100V +-5%	0
1101-683063-000	CAP, MYLAR .068UF 100V +-10%	0
1102-100014-000	CAP, LYTIC 10UF 16V +-20%	0
1102-100014-000	CAP, LYTIC 10UF 16V +-20%	229
1102-100044-000	CAP, LYTIC 10UF 50V +-20%	0
1102-101013-000	CAP, LYTIC 100UF 16V +-10%	0
1102-101013-000	CAP, LYTIC 100UF 16V +-10%	112
1102-101013-000	CAP, LYTIC 100UF 16V +-10%	141

CT-24

1102-101044-000	CAP, LYTIC 100UF 50V +-20%	0
1102-107044-000	CAP, LYTIC 1uF 50V +-20%	0
1102-220014-000	CAP, LYTIC 22uF 16V +-20%	0
1102-220014-000	CAP, LYTIC 22uF 16V +-20%	231
1102-221034-000	CAP, LYTIC 220UF 35V +-20%	0
1102-222034-000	CAP, LYTIC 2200UF 35V +-20%	0
1102-227044-000	CAP, LYTIC 2.2UF 50V +-20%	0
1102-330004-000	CAP, LYTIC 33uF 10V +-20%	0
1102-331013-000	CAP, LYTIC 330UF 16V +-10%	0
1102-470014-000	CAP, LYTIC .47uF 16V +-20%	0
1102-470024-000	CAP, LYTIC 47UF 25V +-20%	0
1102-470024-000	CAP, LYTIC 47UF 25V +-20%	186
1102-471014-000	CAP, LYTIC 470uF 16V +-20%	0
1102-471025-000	CAP, LYTIC 470UF 25V +80% -20%	0
1102-477043-000	CAP, LYTIC 4.7UF 50V +-10%	0
1102-477043-000	CAP, LYTIC 4.7UF 50V +-10%	179
1102-477044-000	CAP, LYTIC 4.7uF 50V +-20%	0
1102-688044-000	CAP, LYTIC .68uF 50V +-20%	0
1105-100024-000	CAP, NON-POLAR. 10UF 25V +-20%	0
1105-337024-000	CAP NON-POLAR. 3.3UF 25V +-20%	0
1109-681042-000	CAP, POLYSTYRENE 680PF +-5%	0
1110-103094-000	CAP, X-TYPE .01UF AC250V +-20%	0
1300-114000-400	XISTOR DTC114YS	0
1300-114000-400	XISTOR DTC114YS	237
1300-144000-400	XISTOR DTC144ES	0
1300-174000-400	XISTOR 2SC1740S-R.S	0
1300-212000-100	XISTOR, NPN C2120Y TO-92 CT4	0
1300-227840-415	XISTOR, NPN 2SC2784-E NEC	0
1300-245800-100	XISTOR 2SC2458	0
1300-278600-400	XISTOR, 2SC2786-K.L.M.	0
1300-294500-103	XISTOR NPN 2SC945	0
1300-805000-100	XISTOR, NPN8050D TO92 SAMSUNG	0
1301-114000-100	XISTOR DTA114YS	0
1301-114000-100	XISTOR DTA114YS	114
1301-114000-100	XISTOR DTA114YS	241
1301-992000-100	XISTOR, 2SA992F	0
1401-140020-000	DIODE RECTIFIER 1N4002	0
1401-140020-000	DIODE RECTIFIER 1N4002	146
1401-141480-000	DIODE, 1N4148	0
1401-141480-000	DIODE, 1N4148	147
1401-14180-000	DIODE 1N4148	0
1402-240001-200	DIODE, ZENER DZ24V	0
1402-471201-200	ZENER DIODE 4.7V 1/2W	0
1402-620001-200	DIODE, ZENER 6.2V 1/2W	0
1404-113301-400	DIODE, ISS133	0
1600-230402-000	CRYSTAL 2.304M +-30PPM CT24	0
1600-230402-000	CRYSTAL 2.304M +-30PPM CT24	348
1600-720002-000	CRYSTAL 7.200MHZ HC-49/U HC49U	0
1602-8000002-000	REASONATOR 8.0MHZ	0
1603-107003-990	CERAMIC FILTER SFE10.7MS2H-A	0
1603-456001-990	CERAMIC FILTER CSB456F15 FM-	0

CT-24

1606-107003-990	CER FILTER CDA10.7MG46-A FM DE	0
2300-003001-000	STRAIGHT CONN WAFER 3PIN 2MMP	0
2300-003911-004	- RCA JACK 2P RJ-1041-08-5 WH/RE	0
2300-004001-000	STRAIGHT CONN WAFER 4PIN 2MMP	0
2300-004001-000	STRAIGHT CONN WAFER 4PIN 2MMP	188
2300-004001-000	STRAIGHT CONN WAFER 4PIN 2MMP	189
2300-004010-000	R ANGLE CONN WAFER 4PIN 2MMP	0
2300-005001-000	STRAIGHT CONN WAFER 5 PIN 2MMP	0
2300-005001-000	STRAIGHT CONN WAFER 5 PIN 2MMP	190
2300-010001-000	STRAIGHT CONN WAFER 10PIN 2MMP	0
2300-010001-000	STRAIGHT CONN WAFER 10PIN 2MMP	247
2320-009901-001	HEADPHONE JACK 6.4MMSTEREO	0
2330-003911-007	- RCA JACK RJ1042-09-050EA	0
2330-003911-008	- RCA JACK RJ1043-09-050EA	0
2330-003911-014	-RCA JACK 2P RJ-1041-09-05EA	0
2330-003911-020	- RCA JACK RJ-1078 (WELL LONG)	0
2330-003911-021	- RCA JACK RJ-1086	0
2399-001901-000	ANTENNA TERMINAL AJ-2031-040	0
2400-020200-001	TACT SW 2P2T KPT-1105B (9.5MM)	0
2503-032601-041	CABLE, 3PIN 260MM 1CONN FLAT	0
2503-040801-041	CABLE, 4PIN 80MM 1CONN FLAT	0
2503-042101-041	CABLE, 4PIN 210MM 1CONN FLAT	0
2503-052101-041	CABLE, 5PIN 210MM 1CONN FLAT	0
2503-052601-041	CABLE, 5PIN 260MM 1CONN FLAT	0
2503-054001-041	CABLE, 5PIN 400MM 1CONN FLAT	0
2503-101001-041	CABLE, 10PIN 100MM 1CONN FLAT	0
2503-102101-041	CABLE, 10PIN 210MM 1CONN FLAT	0
2503-102801-041	CABLE, 10PIN 280MM 1CONN FLAT	0
2503-106001-041	CABLE, 10PIN 600MM 1CONN FLAT	0
2600-101002-000	JUMPER WIRE 100MM 22AWG UL1015	0
2600-101002-800	JUMPER WIRE 100MM 22AWG UL1015	0
2610-221000-000	POWER CORD 2100MM POLORIZED	0
2616-000009-900	FM ANTENNA WIRE, 300 OHM BAL.	0
3001-191000-000	INFRARED SENSOR SBX1910-52	0
3100-120000-001	LED, INFRARED EL-1L2 CT24	0
3100-252540-000	LED RED COLOR ROUND HEAD DIA.	0
3105-090500-000	VFD SAMSUNG SVA-09MS05	0
3200-570000-010	EI-57 120VAC	0
3201-000000-003	FM ANTENNA MATCHING COIL	0
3206-071030-500	F.T. MPX ADJ S-071-030 SUMIDA	0
3206-092300-001	F.T. AM/OSC AT-0923-1 SUMIDA	0
3206-167320-500	CF-FT S-167-3246 SUMIDA AF IF	0
3206-532700-500	F.T. LPF 5327-H020 SUMIDA 19KH	0
4002-000000-000	AM LOOP ANTENNA AJ2017-1	0
4030-000000-000	FUSE, 5ST 1.6A 250V 20mm	0
4031-201000-000	FUSE CLIP BEL FC201	0
4041-210000-000	FM FRONT END PACK TFFJ2UI	0
4050-000000-000	RELAY (OMRON) G5PES-1 DC12V	0
4071-030300-000	AC OUTLET AC-T03FB03	0
4090-150000-004	BATTERY AA UM-3 1.5V METAL CAN	0
4116-410002-500	IC LB1641 SIL (SANYO)	0

CT-24

4118-320012-500	IC LA1832 AM/FM IF.MPX SANY DI		0
4120-680051-600	IC, NJM2068 DIP JRC		0
4140-660050-000	IC, CD4066 DIP	0	
4145-580050-002	IC, NJM4558M DIP NJRC		0
4145-580050-002	IC, NJM4558M DIP NJRC		180
4145-600050-000	IC, BA4560 DIP	0	
4168-705000-000	IC, MC68H705J1A SOP		0
4172-180012-500	IC LC7218 PLL (SANYO) DIP		0
4173-110051-600	IC, NJU7311L 28P DIP JRC		0
4173-130051-600	IC, NJU7313L 28P DIP JRC		0
4178-050304-100	IC 7804 3PIN TO-220 (JRC)		0
4178-090300-000	IC LM7809 TO220	0	
4178-150301-800	IC, LM7815 TO220 NS		0
4179-150301-500	IC 7915 T0220 NEC	0	
4187-700123-000	TMP 87CH70F	0	
4193-460051-800	IC NM 93C46N 8P DIP (NATIONAL)		0
4805-010080-002	REMOTE CONTROL BOARD RC5	B	0
4824-150010-003	MAIN PCB, CT24	C	0
4824-150020-001	HEAD PHONE PCB, CT24	A	0
4824-150040-001	CONTROL PCB, CT24	A	0
4824-150070-003	POWER PCB, CT24	C	0
4824-150110-006	TONE CONTROL PCB, CT24	F	0
4824-150520-003	VOLUME CONTROL PCB, CT24	C	0
4824-150560-001	CCA, TUNER, CT-24	A	0
5000-241500-101	POLYFOAM, R CT24		0
5000-241500-201	POLYFOAM, L CT24		0
5012-050100-200	EC CARVER MV-5 BRN/BLK		0
5013-241500-101-1	BOX, CARTON CT24		0
5100-241500-100	IM V/E WHT/BLK A4 CT24		0
5103-241500-100	WARRANTY INST. CT24/MV5 GREY/B		0
5103-241500-200	WARRANTY CARD CT24/MV5 GREY/BL		0
5113-000000-000	SERIAL NUMBER LABEL, BLANK		0
5200-080250-030	POLYBAG 80X250X3C MM CT24		0
6002-000001-000-5	COVER, TOP CT24 MV5 RT-02		0
6002-000002-000-1	COVER, BOTTOM CT24, MV5 RT-02		0
6002-000003-000-1	COVER, BATTERY CT24 MV5 RT02		0
6003-000008-000-1	COVER, INLEY RT03 CT24		0
6005-010011-000	CDC5 LENS ADAPTOR		0
6005-010012-000	CDC5 LENS	0	
6005-010013-000	CDC5 HANDLE WASHER		0
6024-150001-000	PANEL, FRONT, CT24, 120V		0
6024-150003-00	LED LENS, CT24	0	
6024-150005-000	KNOB, TREBLE, BASS, BAL, CT24		0
6024-150006-000	KNOB, VOLUME, CT24		0
6024-150008-000	PCB STAND, LCBS-7, CTR24		0
6024-150009-000	PCB STAND, LCBS-22, CT24		0
6029-010012-000	PLASTIC FOOT, CT24		0
6505-010013-000	HANDLE CDC5, CT24		0
6511-010009-001	TERMINAL PLATE CD-P1100		0
6524-150001-001	PANEL, FRONT, ALUM. CT24		0
6524-150002-000-1	COVER, TOP, PAINTED, CT24		0

CT-24

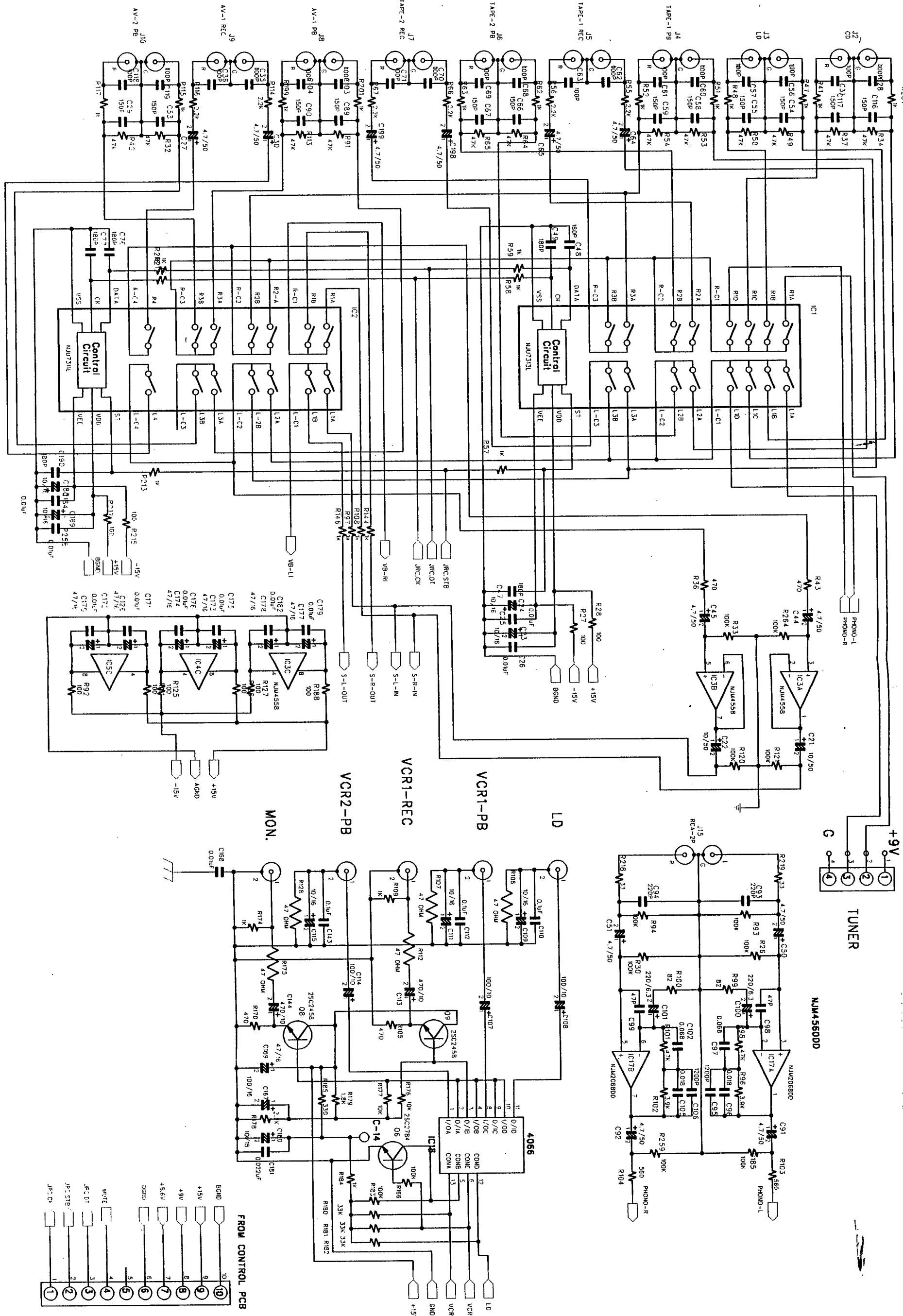
6524-150005-000	BRACKET, HANDLE,CT24	0	
6524-150006-000-1	PANEL, REAR, SILKSCREEN, CT24	0	
6524-150007-002-1	CABINET, BOTTOM, BLK, CT24	0	
6524-150008-000	BRACKET, ANTENNA, CT-24	0	
6600-010156-000	CONTACT BATTERY CON. RT02-S001	0	
6600-010157-000	CONTACT BATTERY POS. RT02-S002	0	
6600-010158-000	CONTACT BATTERY NEG RT02-S003	0	
6600-020010-000	PCB MOUNT CD420L01 CT24	0	
6600-070003-000	RUBBER PAD, LEG CD90R05	0	
6600-070012-000	FOOT, RUBBER FOR XFORMER CT24	0	
6600-070024-000	FOOT, RUBBER 12.7X3.5MM CT24	0	
6600-070029-000	KEY, FUNCTION: SONIC BUBBING	0	
6600-070030-000	AM/FM MODE, P.SCAN MEMORY CT24	0	
6600-070031-000	KEY, FUNCTION: PHONO,CD,LD...	0	
6600-070032-000	KEY, PRESET CT24	0	
6600-070033-000	KEY, TUNING CT24	0	
6600-070035-000	KNOB, TREBLE, BASS, BAL CT24	0	
6600-070036-000	ENDCAP, R/L CDC5 CT24	0	
6600-070039-000	KNOB, OPEN/CLOSE CDC5 CT24	0	
6600-070040-000	RING, RUBBER LENS, CDC5 CT24	0	
6600-070047-000	KNOB, VOLUME CT24	0	
6600-070048-000	KEY PAD, RUBBER CT24	0	
6600-120030-001	NUT, HEX M3 M3X5.5X2.4MM CT24	0	
6600-120040-000	NUT, SCREW M4X7X3 CT24	0	
6600-120123-000	NUT, SCREW M12X3MM	0	
6600-180007-000	AC CORD BUSHING PG5RF-5B	0	
6600-990008-000	SCREW TERMINAL	0	
6600-990011-000	FILTER, PLASTIC 290X6X0.5MM	0	
7002-606010-022	SCREW, M2.6X6 M/C TYPE P/H ZN	0	
7002-608005-022	SCREW M2.6X8 P.T.P. P/H A TYPE	0	
7003-006001-111	SCREW M3X6 S.T.P. B/H (BLK)	0	
7003-006002-112	SCREW, M3X6 P.T.P. B/H	0	
7003-008002-022	SCREW M3X8 P TYPE P/H ZN	0	
7003-008002-111	SCREW, M3X8 P.T.P. B/H (BLK)	0	
7003-008010-111	SCREW M3X8 B/H BLACK	0	
7003-010001-111	SCREW M3X10 S.T.P. B/H BLK	0	
7003-010002-111	SCREW, M3X10 P TYPE B/H BLK	0	
7003-015002-112	SCREW M3X15 TYPE B/H ZN PLAT.	0	
7004-008010-022	SCREW M4X8 M/C TYPE P/H ZN	0	
7004-010010-021	SCREW M4X10 P/H BLK	0	
7104-010010-022	WASHER M4X10X1MM	0	
7112-018006-022	SCREW WASHER M12X18X0.6MM	0	
9405-001000-081	REMOTE CONTROL ASSY CTC5 CT24	A	0
9424-015000-012	MAIN PCB ASSY, CT24	B	0
9424-015000-022	HEADPHONE PCB ASSY, CT24	B	0
9424-015000-042	CONTROL PCB ASSY, CT24	B	0
9424-015000-072	POWER PCB ASSY 120V ULP CT24	B	0
9424-015000-113	TONE CONTROL PCB ASSY, CT24	C	0
9424-015000-522	VOLUME BOARD ASSY, CT24	B	0
9424-015000-562	TUNER PCB ASSY, CT24	B	0
9624-015000-002	MECHAN ASSY, CT24	B	0

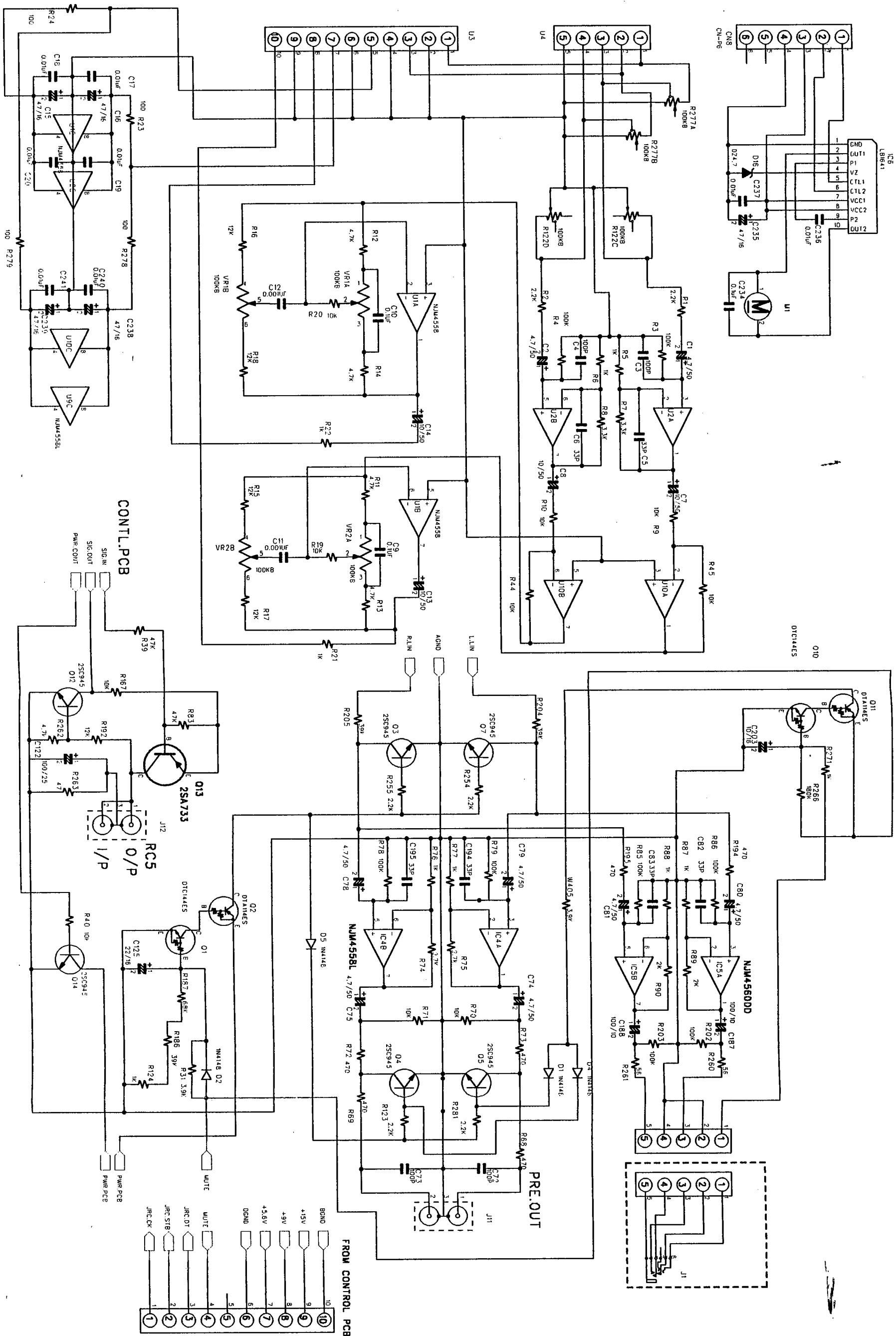
CT-24

9724-015000-001
.9805-030005-002

PACKAGING ASSY (CVR) CT24 A 0
REMOTE UNIT RT-03 CT24 B 0

• This schematic diagram is subject to change without notice in the interests of improved performance.





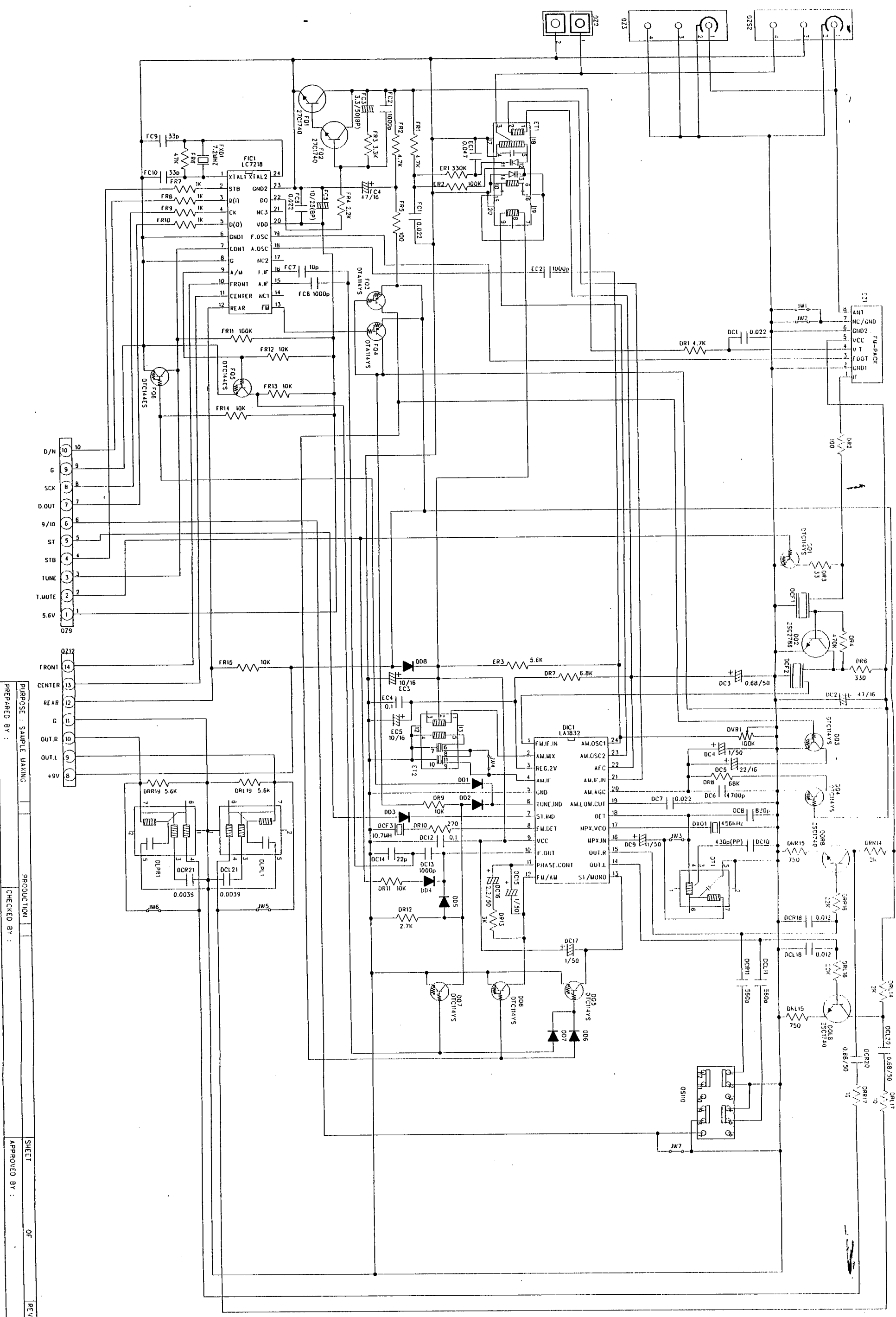
• This schematic diagram is subject to change without notice in the interests of improved performance.

YN

SCHEMATIC DRAWING
HKNF 960012-00

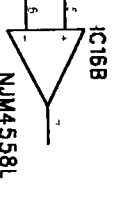
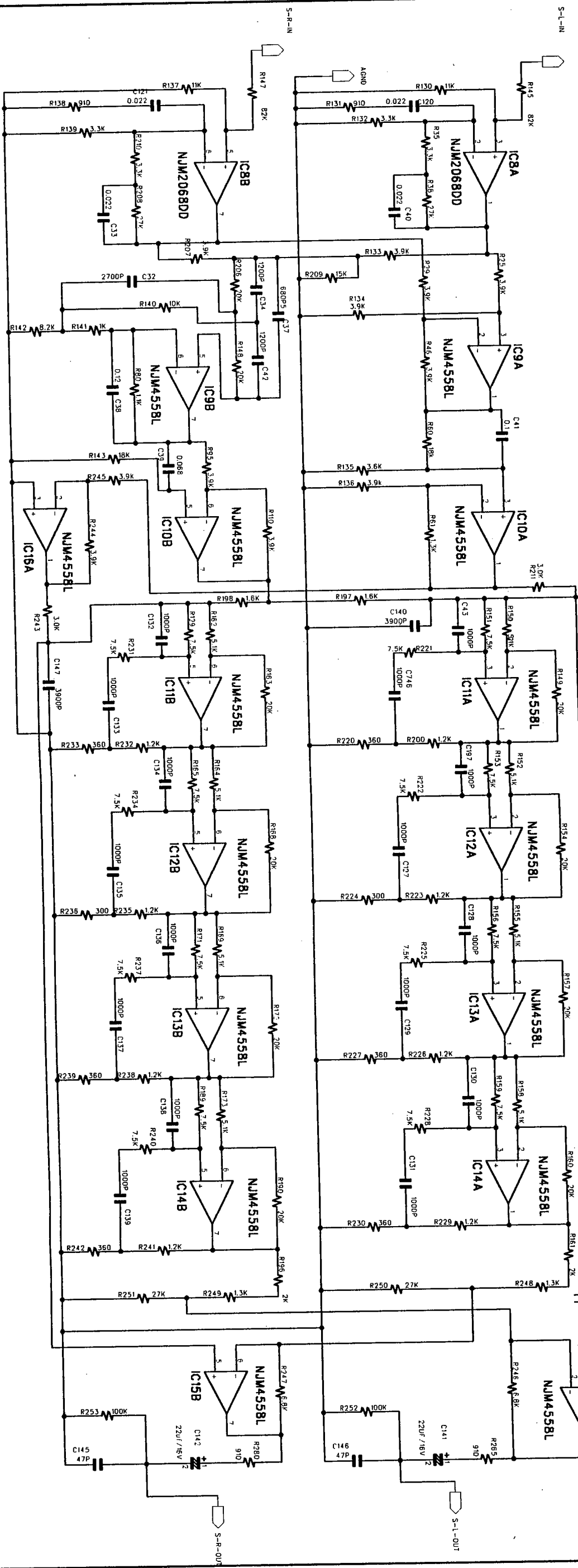
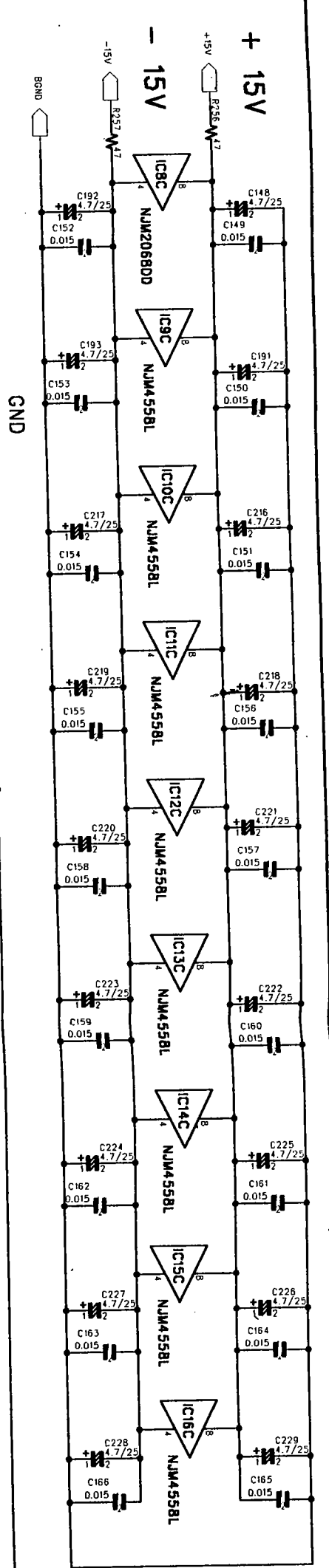
DATE

MODEL NO. PART NO. PART NAME

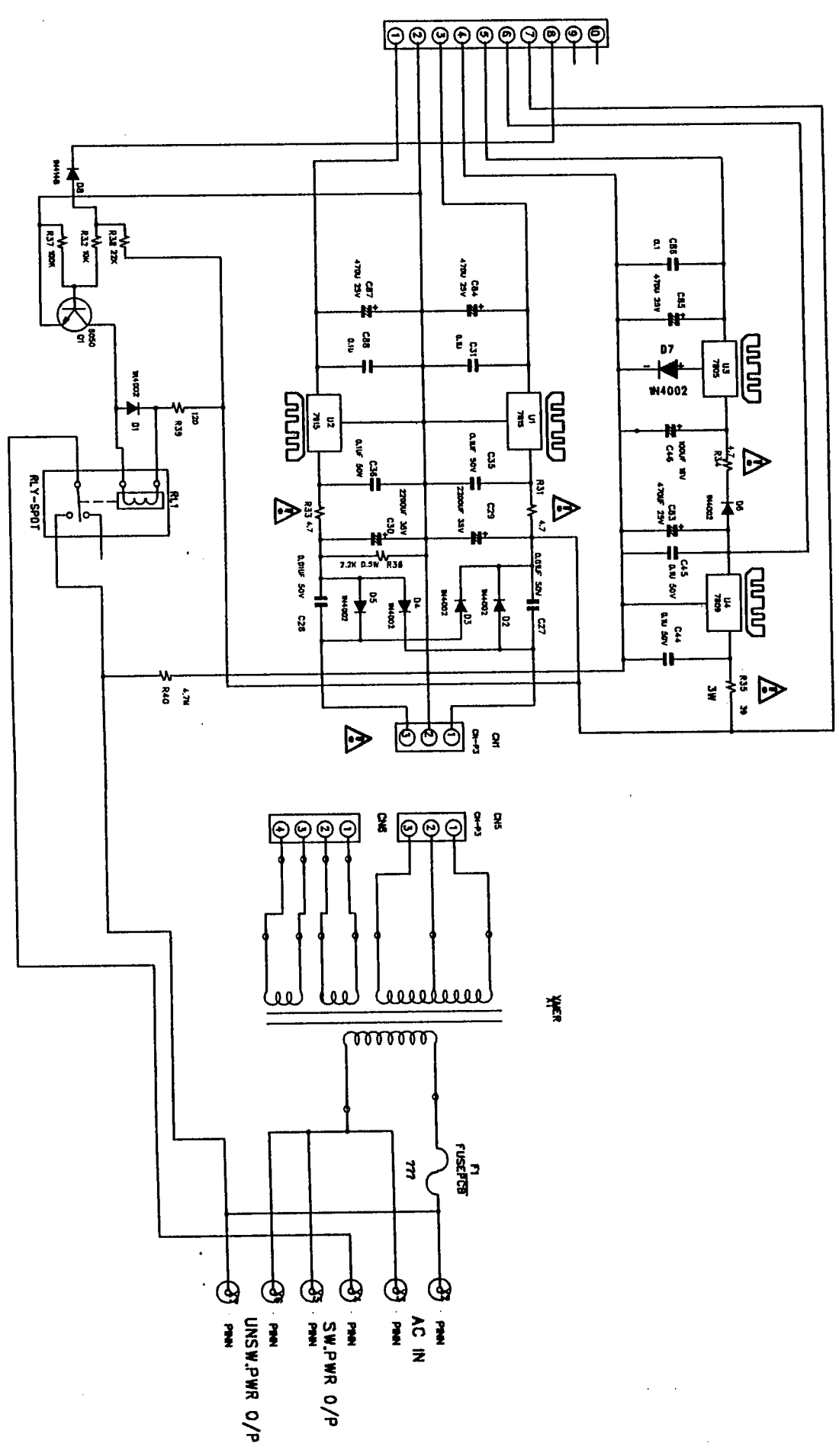


PURPOSE : SAMPLE MAKING
 PREPARED BY :
 PRODUCTION :
 CHECKED BY :
 SHEET OF REV
 APPROVED BY :

- 10 D/N
- 9 G
- 8 SCK
- 7 D.OUT
- 6 9/10
- 5 ST
- 4 STB
- 3 TUNE
- 2 T.MUTE
- 1 5.6V
- 14 FRONT
- 13 CENTER
- 12 REAR
- 11 G
- 10 OUT.R
- 9 OUT.L
- 8 +9V



CT-24 Preamplifier/Tuner



This schematic diagram is subject to change without notice in the interests of improved performance.