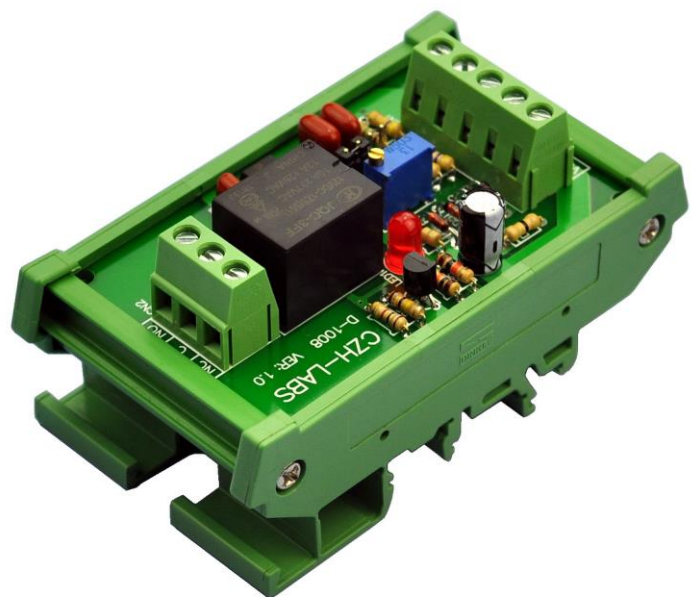


# CZH-LABS Electronics-Salon

**Model: D-1008**  
**Voltage Comparator Relay Module**



## Features:

- Support internal or external reference voltage.
- LED indication for relay action.
- Hongfa JQC-3FF 10 Amp power relay.
- Panel mount or DIN rail mount types to choose. DIN rail mount version can support width 35 / 32 / 15mm rails.

## Electrical Parameters:

- Operating voltage / current: 12V DC / 50mA.
- Internal reference voltage adjust range: 0 ~ 10V.(for internal reference voltage mode)
- External reference voltage range: 0 ~ 10V. (for external reference voltage mode)
- Input signal voltage: 0 ~ 10V.

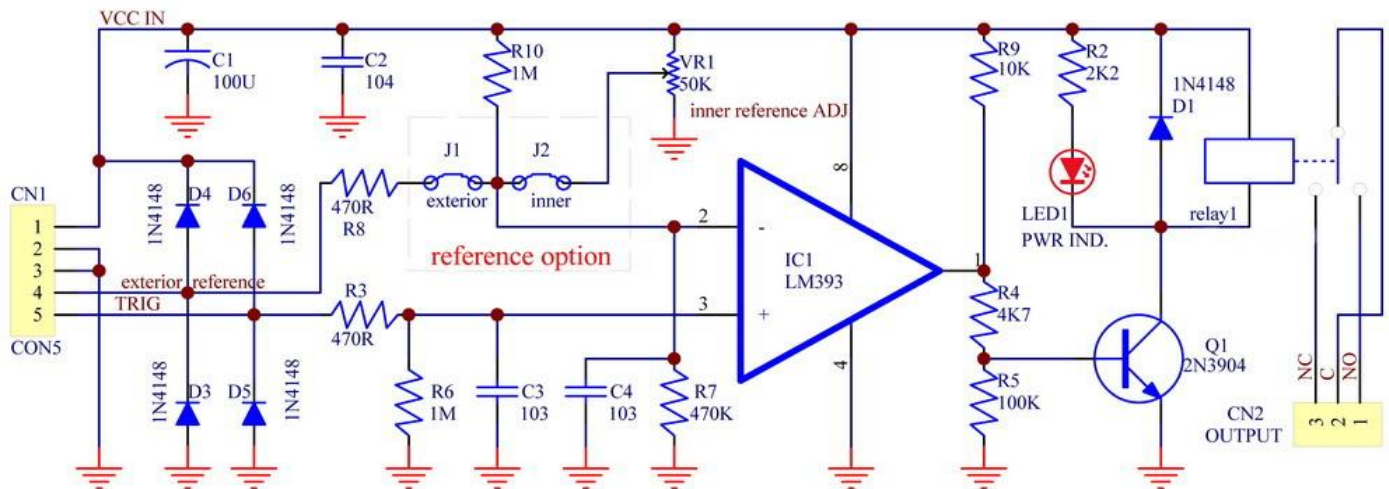
## Size:

- Panel mount version: 72.5 x 47.35 x 20mm (L x W x H)
- DIN rail mount version: 83 x 50 x 42mm (L x W x H)

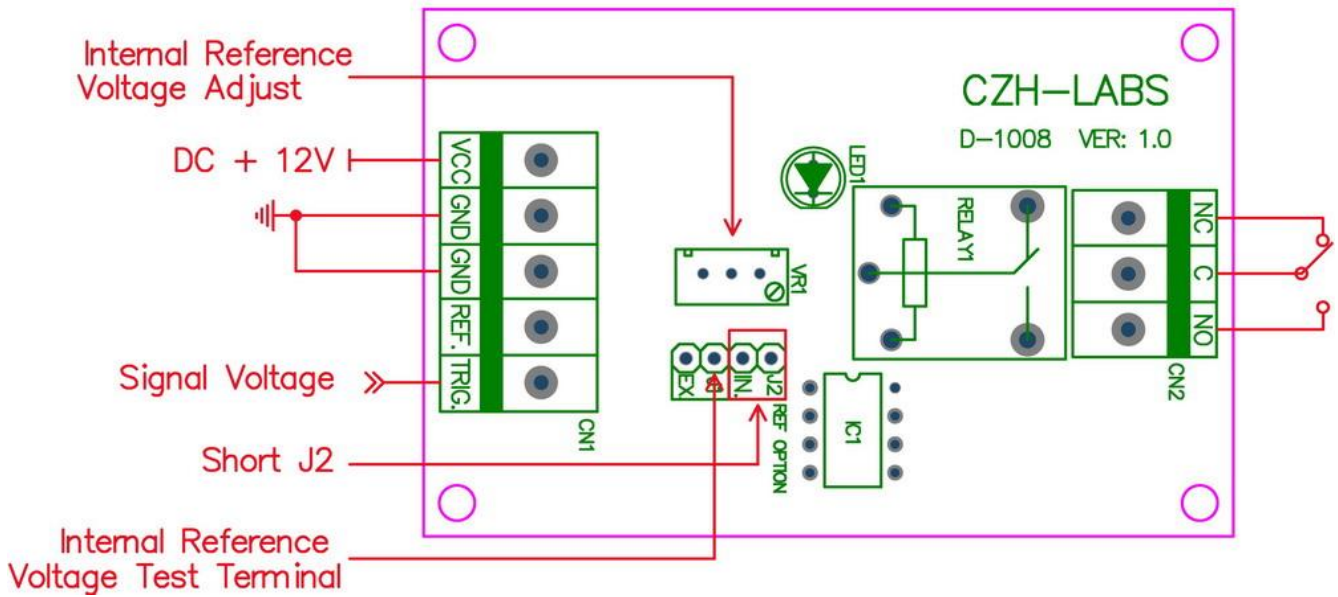
## Choose Version List:

1. MD-D1008, Panel mount.
2. MD-D1008T, DIN rail mount.

## Circuit Schematic and PCB Size:



## For internal reference voltage mode:



**REF OPTION** setting: J2 - IN shorted and J1 – EX disconnect.

Terminal block **VCC** connect power supply +12V DC.

Terminal block **GND** connect power supply ground(neutral, 0V) and input signal ground.

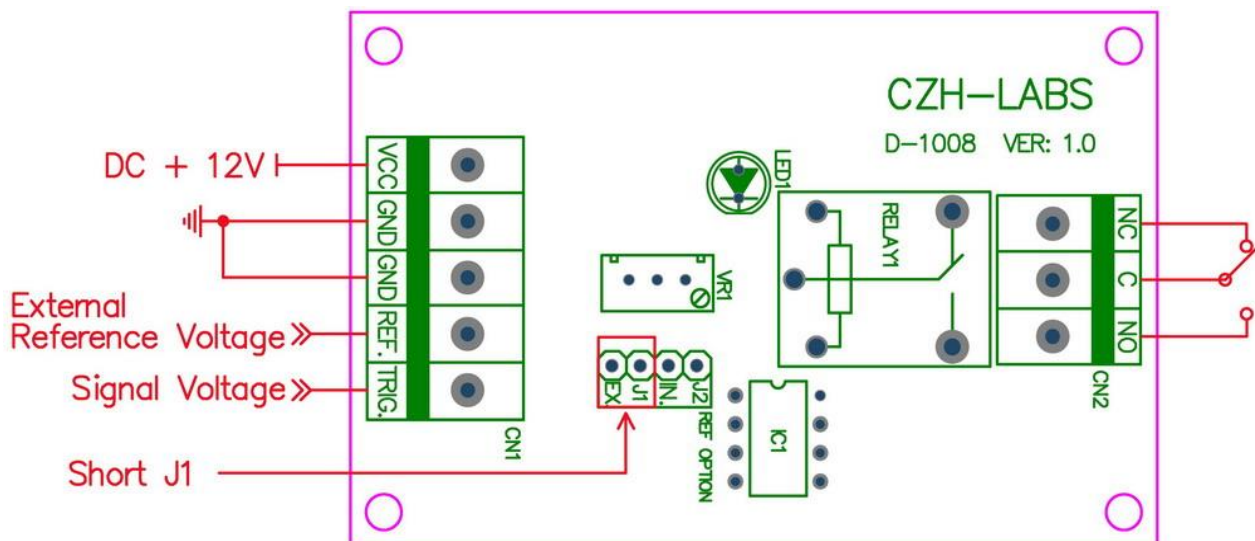
Terminal block **REF** not connect any circuit and wires.

Terminal block **TRIG** connect input signal.

Reference voltage adjust: adjust the **VR1** potentiometer, and use voltage-meter test terminal block **REF OPTION J1** pin position voltage, you can get 0 ~ 10V reference voltage.

When the input voltage > reference voltage, relay switch **C** to **NC** disconnected and **C** to **NO** connected. when the input voltage < reference voltage, relay switch **C** to **NC** connected and **C** to **NO** disconnected.

## For external reference voltage mode:



**REF OPTION** setting: J2 - IN disconnect and J1 – EX shorted.

Terminal block **VCC** connect power supply +12V DC.

Terminal block **GND** connect power supply ground(neutral, 0V) and input signal ground.

Terminal block **REF** connect external reference voltage.

Terminal block **TRIG** connect input signal.

When the input voltage > reference voltage, relay switch **C** to **NC** disconnected and **C** to **NO** connected. when the input voltage < reference voltage, relay switch **C** to **NC** connected and **C** to **NO** disconnected.

Size:

