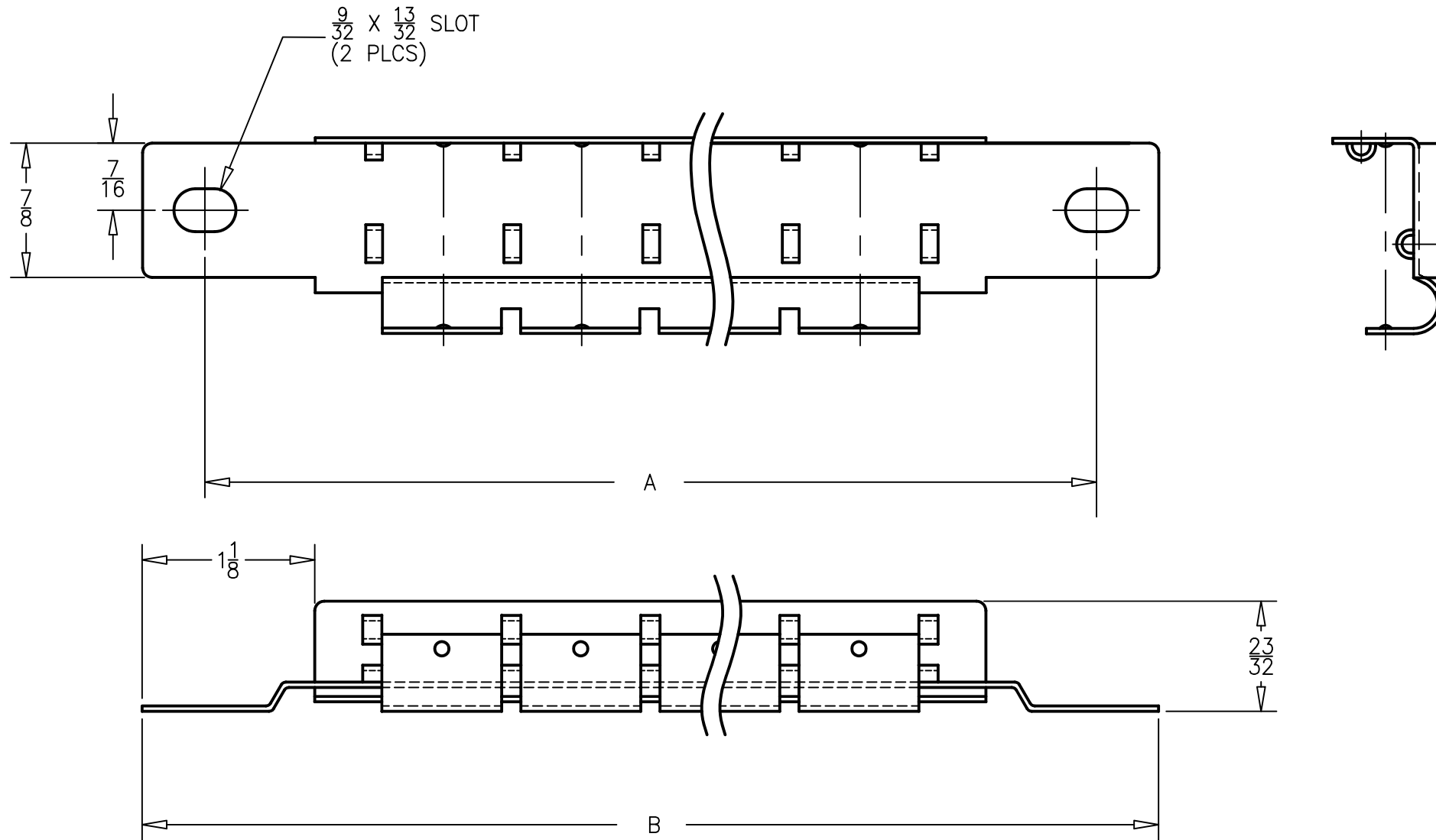


PART NO. B028-1528-XX SALES		PLANT DISTRIBUTION CODE: N	
REV #	REVISIONS	DATE	APPR.
0	RELEASED FOR SALES	6-10 1996	
1	UPDATED BORDER TO INCLUDE PLANT CODE REDRAWN ON CAD. ECN E0813 PC	4-3 2002	



B028-1528-12	13 1/16	13 7/8	12
B028-1528-11	12 5/32	12 31/32	11
B028-1528-10	11 1/4	12 1/16	10
B028-1528-9	10 11/32	11 5/32	9
B028-1528-8	9 7/16	10 1/4	8
B028-1528-7	8 17/32	9 11/32	7
B028-1528-6	7 5/8	8 7/16	6
B028-1528-5	6 23/32	7 17/32	5
B028-1528-4	5 13/16	6 5/8	4
B028-1528-3	4 29/32	5 23/32	3
B028-1528-2	4	4 13/16	2
PART NUMBER	"A" DIM.	"B" DIM.	NO. OF STATIONS

NOTE: SHORTSTOP® circuit breakers can be mounted in multiples to create an assembly combination customized for your particular circuit requirements. Line side electrical circuitry may be bussed via the appropriate length buss bar to eliminate wiring redundancy. Consult with BCC on your requirements and allow us the opportunity to provide a prompt quotation on a bracketed assembly specifically designed for you.

TOLERANCES UNLESS OTHERWISE SPECIFIED			THIRD ANGLE PROJECTION	DESIGN UNITS ENGLISH(in)
METRIC 1 PL DEC.=±0.25 2 PL DEC.=±0.13	ENGLISH 2 PL DEC.=±0.01 3 PL DEC.=±0.005	FRACTIONAL TOL ±1/64 IN ANGULAR TOL= ±1° ANGULAR TOL 1PL=±0.5°		CREATED USING AUTOCAD

COPYRIGHT — Cooper Industries, Inc.
This is an unpublished work. The disclosure of this work is limited to a select personnel. Further dissemination or disclosure to the public is PROHIBITED. This unpublished work is protected by Federal Copyright Law and all rights thereunder are reserved by Cooper Industries, Inc.

CONFIDENTIAL —
The information contained in this document is the property of Cooper Industries, Inc. It is not for public disclosure. Possession of the information does not convey any right to loan, sell or disclose the information. Unauthorized reproduction or use of the information is PROHIBITED. This document is to be returned to Cooper Industries, Inc. upon completion of the purpose for which it is loaned or upon request.

MATERIAL
.035 THICK COLD ROLLED STEEL
FINISH



COOPER Bussmann
St. Louis, Mo.

DRAWN BY MR
DATE 6-10-96
SCALE 1:1

TITLE
BRACKET FOR SHORTSTOP CIRCUIT BREAKER

PART NO. B028-1528-XX SALES	SHT 1 OF 1	SIZE: B
---------------------------------------	------------	-------------------