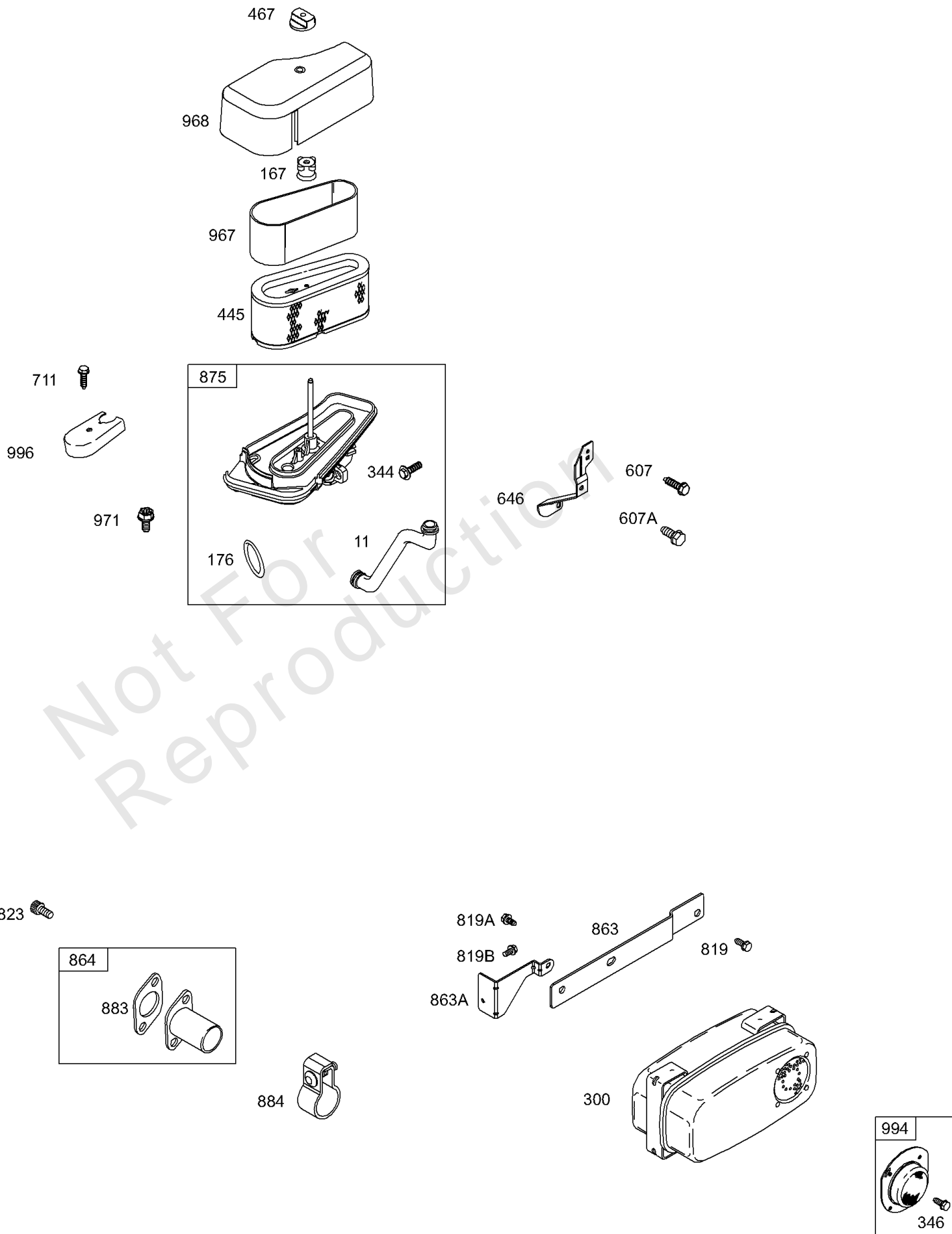


Parts Manual

Mfg. No: 28P777-0644-A1

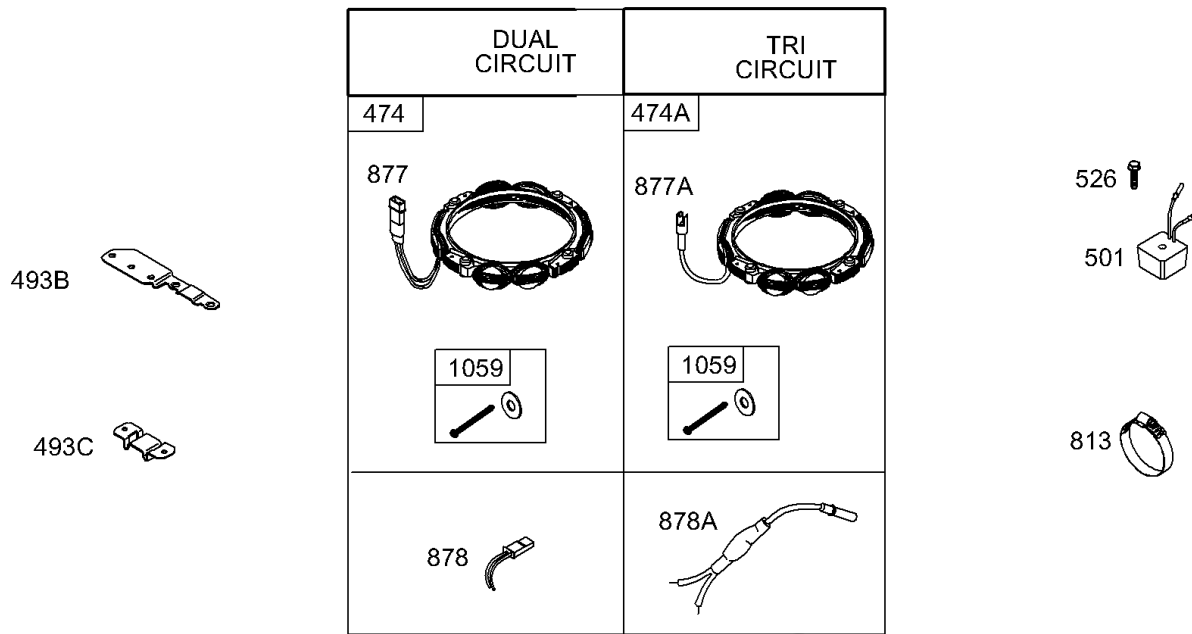
| Model Components | Page |
|---|-------------|
| Air Cleaner, Muffler..... | 4 |
| Alternator, Ignition..... | 6 |
| Blower Housing/Shrouds..... | 8 |
| Controls, Governor Spring, Fuel..... | 10 |
| Cylinder, Piston/Rings, Breather, Engine Gaskets, Sump, Crankshaft, Cam, Counterweight..... | 14 |
| Electric Starter..... | 20 |
| Flywheel Fan, Rotating Screen, Flywheel, Ring Gear..... | 24 |
| Nikki Carburetor, Gaskets, Walbro Carburetor, Gaskets..... | 26 |
| Oil, Valve Gaskets, Valves, Head, Intake, Rocker Cover..... | 32 |
| Replacement Engine..... | 36 |

Not For
Reproduction



Air Cleaner, Muffler

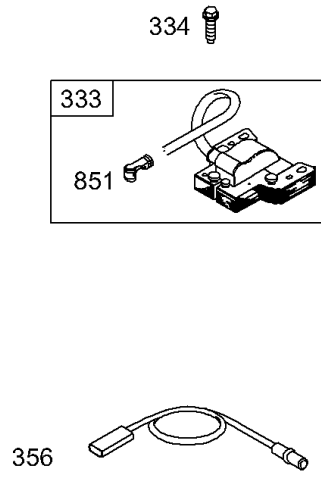
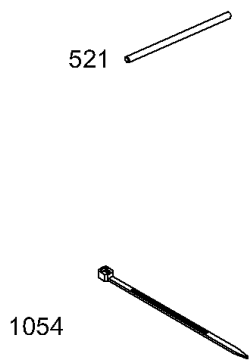
| REF NO | PART NO | QTY | DESCRIPTION |
|--------|---------|-----|---|
| 11 | 691328 | | Tube-Breather |
| 167 | 692297 | | Seal-Air Cleaner Nut |
| 176 | 691917 | | SEAL, O-Ring -(Air Cleaner Base) |
| 300 | 690850 | | Muffler |
| 344 | 693675 | | Screw -(Cable Clamp) |
| 346 | 690661 | | SCREW -(Spark Arrestor) |
| 445 | 496894S | | Filter-Air Cleaner Cartridge |
| 467 | 691668 | | Knob-Air Cleaner |
| 607 | 690703 | | Screw -(Air Cleaner Brace) |
| 607A | 691693 | | SCREW -(Air Cleaner Brace) |
| 646 | 690460 | | Brace-Air Cleaner |
| 711 | 690703 | | Screw -(Carburetor Shield) |
| 819 | 690297 | | Screw -(Muffler Bracket) |
| 819A | 691676 | | Screw -(Muffler Bracket) |
| 819B | 691678 | | SCREW -(Muffler Bracket) |
| 823 | 698941 | | SCREW -(Muffler Adapter) |
| 863 | 691204 | | Bracket-Muffler |
| 863A | 691205 | | Bracket-Muffler |
| 864 | 496750 | | Adapter-Muffler |
| 875 | 696129 | | Base-Air Cleaner -(Plastic) |
| 883 | 692236 | | GASKET, Exhaust |
| 884 | 690853 | | Clamp-Muffler |
| 967 | 272403S | | Filter-Pre Cleaner |
| 968 | 692355 | | Cover-Air Cleaner |
| 971 | 690810 | | SCREW -(Air Cleaner Base to Carburetor) -Used Before Code Date 97100600 |
| 971 | 692129 | | Screw -(Air Cleaner Base to Carburetor) -Used After Code Date 97100500 |
| 994 | 392390 | | Arrestor-Spark |
| 996 | 690678 | | Shield-Carburetor |



NOTE: ALL OLD STYLE STATORS USE
REFERENCE NUMBER 1119 MOUNTING SCREW



Not For
Reproduction

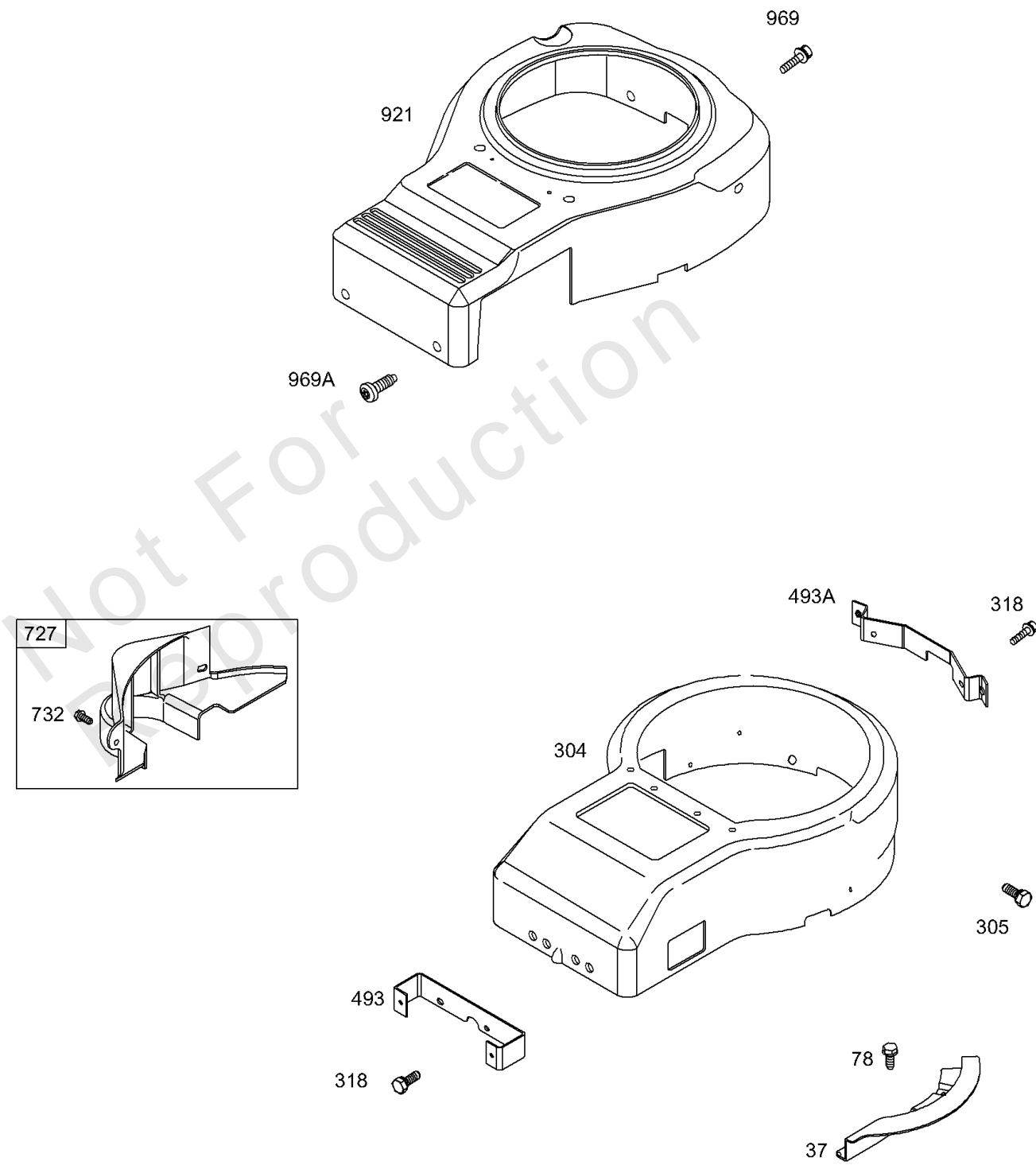


Alternator, Ignition

| REF NO | PART NO | QTY | DESCRIPTION |
|--------|---------|-----|--|
| 333 | 492341 | | Armature-Magneto |
| 334 | 691061 | | SCREW -(Magneto Armature) |
| 356 | 690807 | | Wire-Stop |
| 474 | 696457 | | Alternator -(Tri Circuit) |
| 474A | 696459 | | Alternator -(Dual Circuit) |
| 493B | 694475 | | Bracket-Mounting -(Regulator) |
| 493C | 691177 | | BRACKET, Mounting -(Regulator) |
| 501 | 691188 | | Regulator |
| 521 | 690581 | | Shield-Cable |
| 526 | 694476 | | Screw -(Regulator) -Used After Code Date 99070400 |
| 526 | 690326 | | SCREW -(Regulator) -Used Before Code Date 99070500 |
| 813 | 690635 | | CLAMP |
| 851 | 692424 | | Terminal-Spark Plug |
| 877 | 393456 | | WIRE/CONNECTOR, Alternator |
| 877A | 393537 | | Wire/Connector-Alternator |
| 878 | 691237 | | Harness-Alternator |
| 878A | 691955 | | Harness-Alternator |
| 1054 | 280275 | | Tie-Cable |
| 1059 | 698516 | | KIT, Screw/Washer -(Alternator) |
| 1119 | 691183 | | SCREW -(Alternator) |

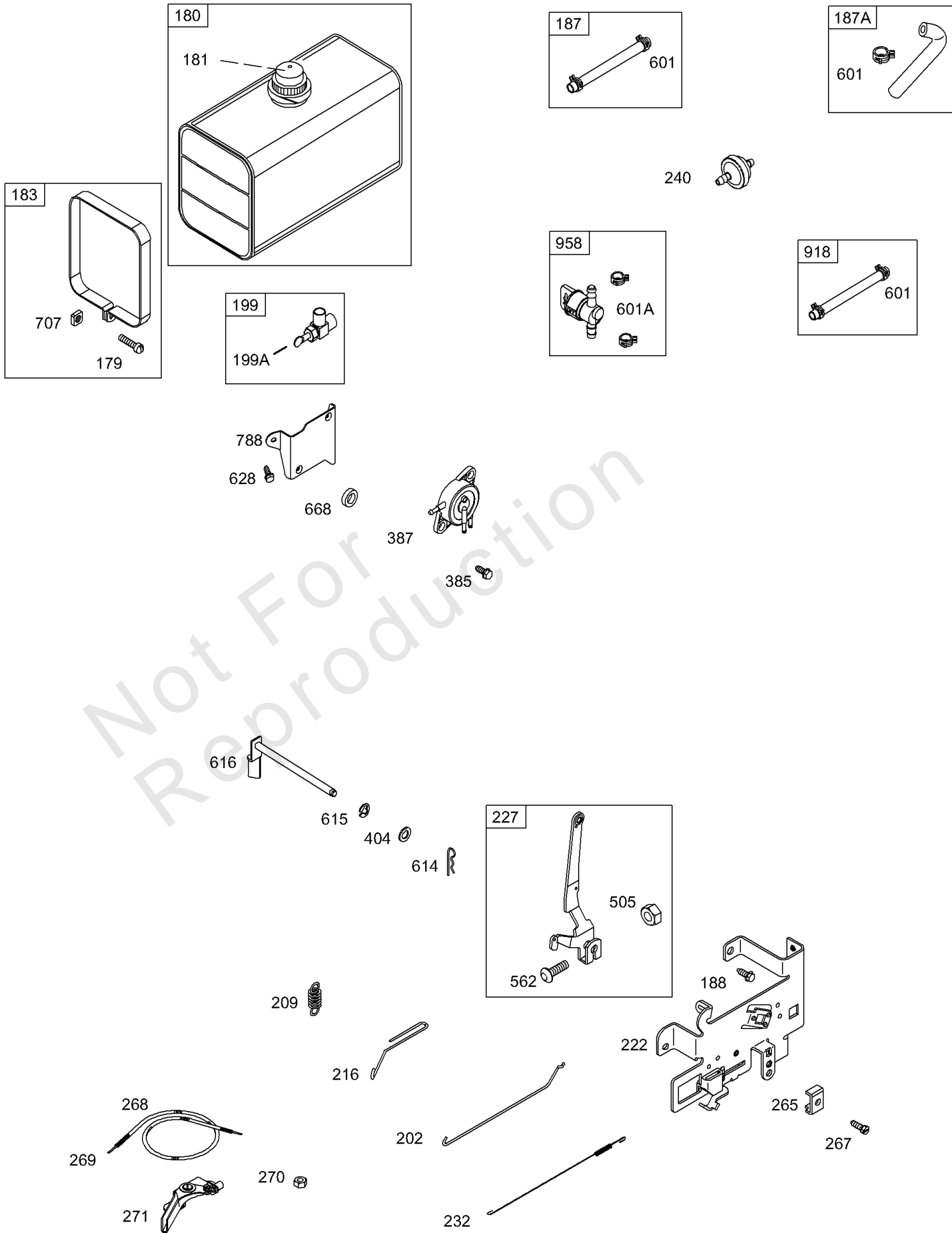
1019 LABEL KIT

1036 EMISSION LABEL



Blower Housing/Shrouds

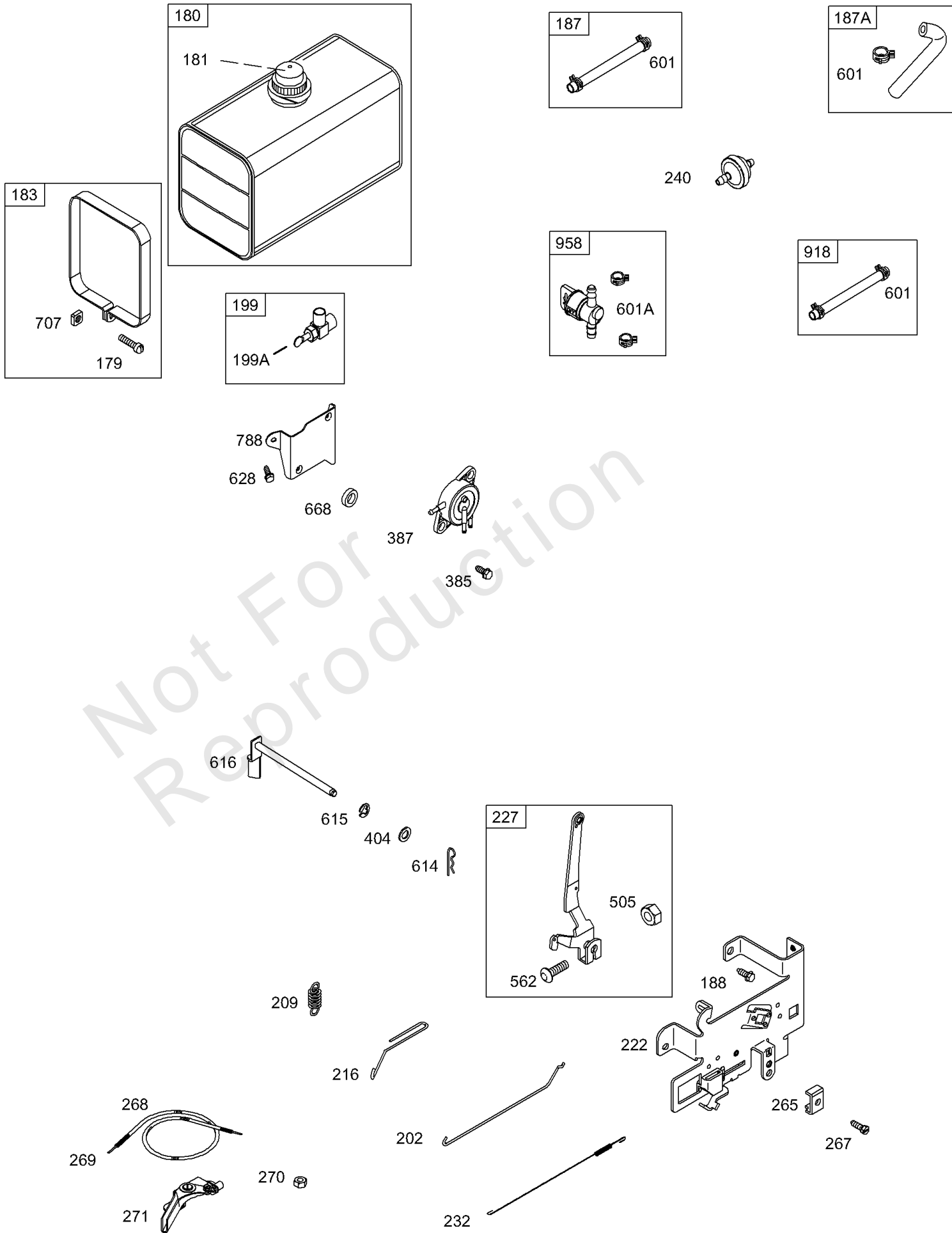
| REF NO | PART NO | QTY | DESCRIPTION |
|--------|---------|-----|--|
| 37 | 690456 | | Guard-Flywheel |
| 78 | 697561 | | Screw -(Flywheel Guard) |
| 304 | 690497 | | Housing-Blower |
| 305 | 691108 | | SCREW -(Blower Housing) |
| 318 | 692127 | | Screw -(Mounting Bracket) (Blower Housing) |
| 493 | 690493 | | Bracket-Mounting -(Blower Housing Front) |
| 493A | 690494 | | Bracket-Mounting -(Blower Housing Rear) |
| 727 | 490324 | | Cover-Starter Drive |
| 732 | 691002 | | Screw -(Starter Drive Cover) |
| 921 | 690495 | | Cover-Blower Housing -(Red) |
| 921 | 690496 | | Cover-Blower Housing -(Black) |
| 969 | 691108 | | SCREW -(Blower Housing Cover) |
| 969A | 690365 | | Screw -(Blower Housing Cover) |
| 1019 | 496758 | | Kit-Label |
| 1036 | 695700 | | Label-Emissions -Used After Code Date 00063000 |
| 1036 | 499363 | | Label-Emissions -Used Before Code Date 97052600 |
| 1036 | 499364 | | Label-Emissions -Used After Code Date 97052500 -Used Before Code Date 98010100 |
| 1036 | 694318 | | Label-Emissions -Used After Code Date 98123100 -Used Before Code Date 99100100 |
| 1036 | 694997 | | Label-Emissions -Used After Code Date 99093000 -Used Before Code Date 00070100 |



Not For
Reproduction

Controls, Governor Spring, Fuel

| REF NO | PART NO | QTY | DESCRIPTION |
|--------|---------|-----|--|
| 179 | 690280 | | Screw -(Fuel Tank Strap) |
| 180 | 291488 | | Tank-Fuel -(Metal) |
| 181 | 392305S | | Cap-Fuel Tank -(Metal) |
| 183 | 691937 | | Strap-Fuel Tank |
| 187 | 296004 | | Line-Fuel -(Cut To Required Length) |
| 187A | 699331 | | Line-Fuel -(Formed)(10-1/4 Inches Long)(Cut to Required Length) |
| 187A | 697907 | | Line-Fuel -(Molded, 9-1/2" Long) |
| 188 | 691693 | | SCREW -(Control Bracket) |
| 199 | 692302 | | Valve-Fuel Shut Off -(Metal) |
| 199A | 691940 | | Valve-Fuel Shut Off -(Metal) |
| 202 | 691841 | | LINK, Mechanical Governor |
| 209 | 692208 | | Spring-Governor -(Green) |
| 216 | 691840 | | LINK, Choke |
| 222 | 694042 | | Bracket-Control |
| 227 | 691374 | | LEVER, Governor Control |
| 232 | 691842 | | SPRING, Governor Link |
| 240 | 298090S | | Filter-Fuel -(Red) |
| 240 | 394358S | | FILTER, Fuel -(White) |
| 265 | 691024 | | CLAMP, Casing |
| 267 | 690804 | | Screw -(Casing Clamp) |
| 268 | 691025 | | CASING, Control Wire -(Cut To Required Length) |
| 269 | 691026 | | WIRE, Control -(Cut To Required Length) |
| 270 | 691027 | | NUT -(Control Wire Casing) |
| 271 | 691028 | | Lever-Control |
| 385 | 691108 | | SCREW -(Fuel Pump) |
| 387 | 808656 | | PUMP, Fuel |
| 404 | 691691 | | WASHER -(Governor Crank) |
| 505 | 691251 | | NUT -(Governor Control Lever) |
| 562 | 92613 | | Bolt -(Governor Control Lever) |
| 601 | 95162S | | Clamp-Hose |
| 601A | 691038 | | CLAMP, Hose -(Black) |
| 614 | 691620 | | PIN, Cotter |
| 615 | 93307 | | Retainer-Governor Shaft |
| 616 | 692012 | | CRANK, Governor |
| 628 | 690661 | | SCREW -(Fuel Pump Bracket) |
| 668 | 690510 | | Spacer -(Fuel Pump) -Used Before Code Date 96070100 |



Not For
Reproduction

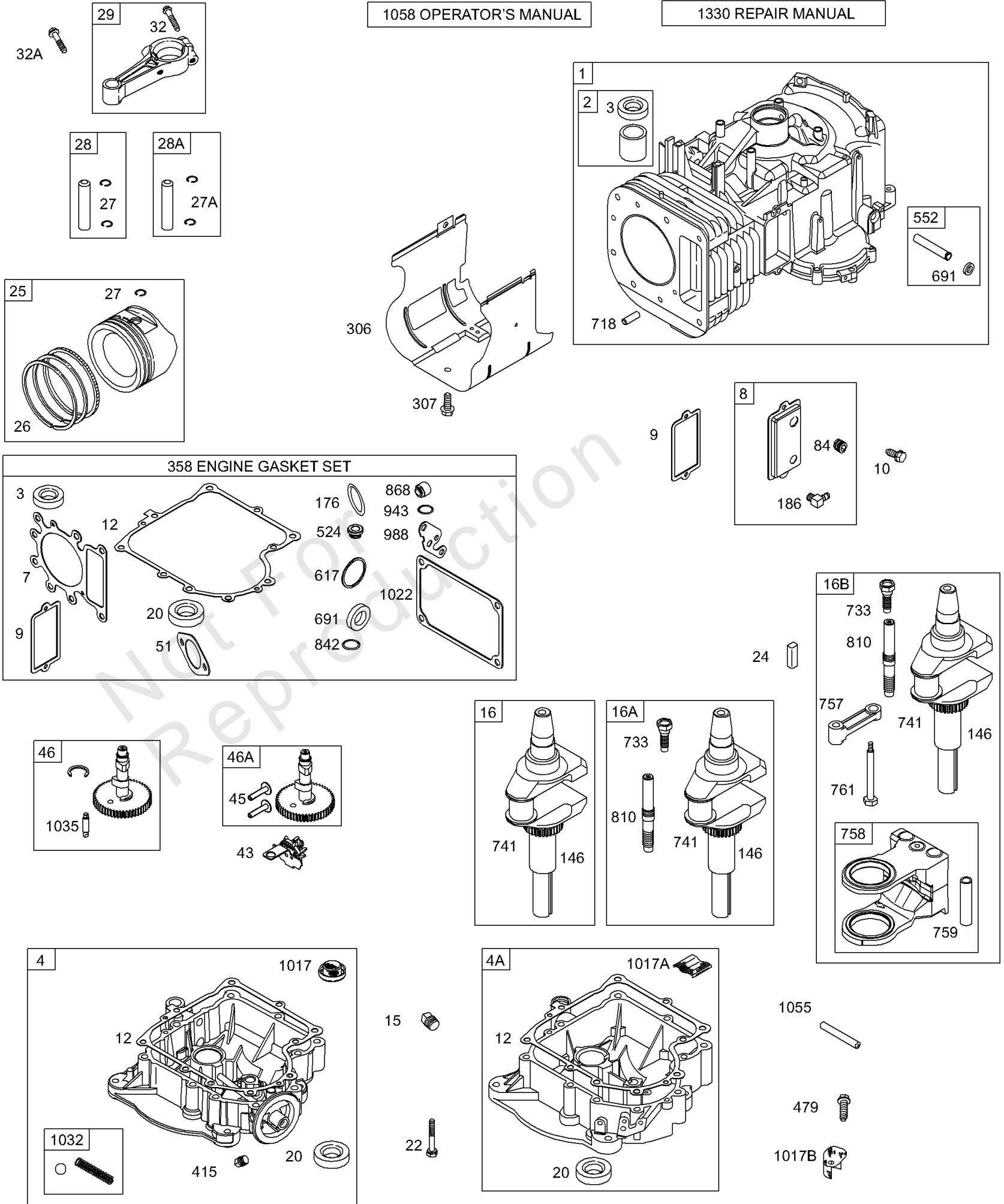
Controls, Governor Spring, Fuel

| REF NO | PART NO | QTY | DESCRIPTION |
|--------|---------|-----|--|
| 707 | 690279 | | Nut -(Fuel Tank Strap) |
| 788 | 692133 | | Bracket-Fuel Pump |
| 918 | 393815 | | Hose-Vacuum -(Cut To Required Length) |
| 958 | 698183 | | VALVE, Fuel Shut Off(PLT) -(Plastic) |

Not For
Reproduction

1058 OPERATOR'S MANUAL

1330 REPAIR MANUAL

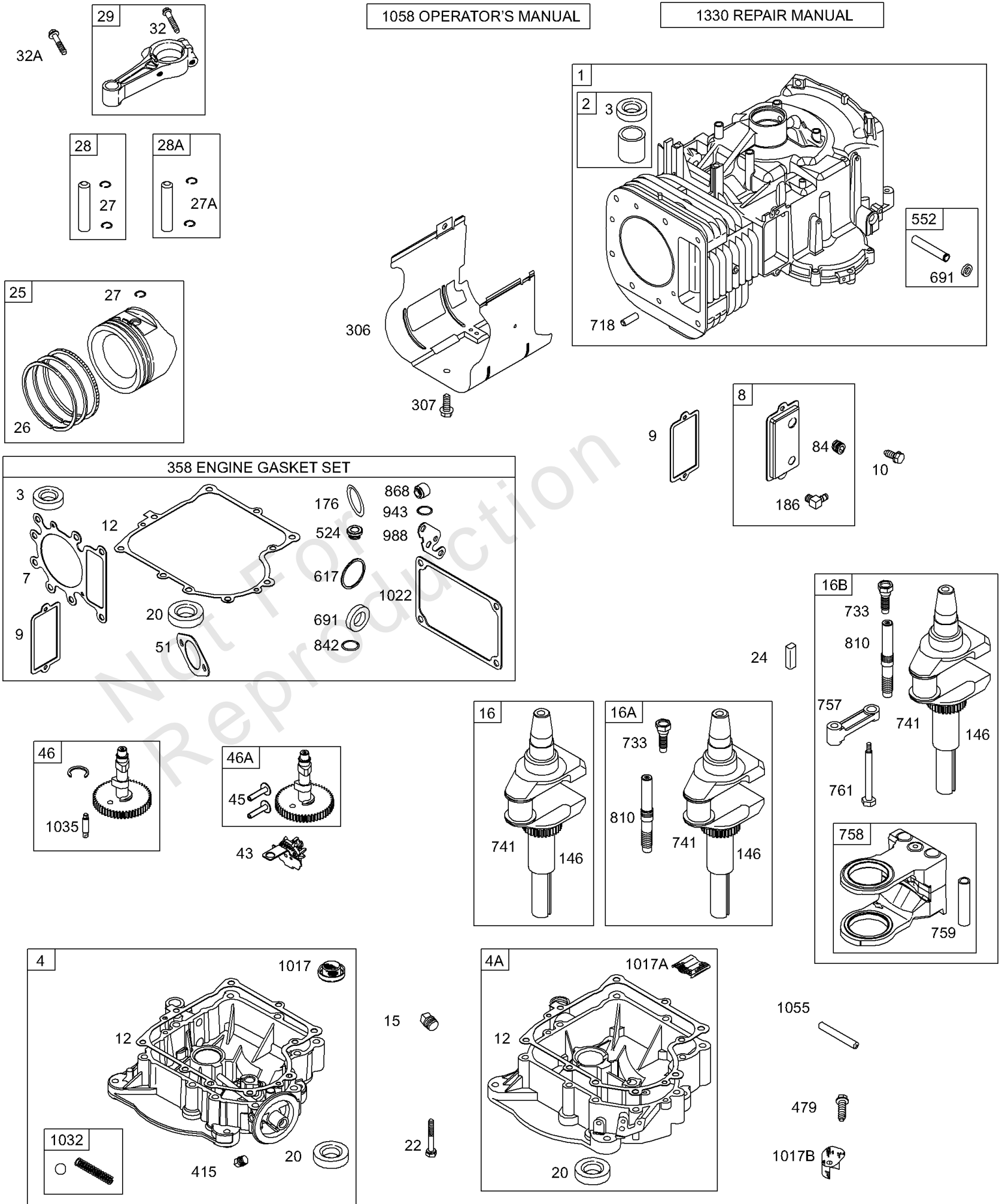


Cylinder, Piston/Rings, Breather, Engine Gaskets, Sump, Crankshaft, Cam, Counterweight

| REF NO | PART NO | QTY | DESCRIPTION |
|---------------|----------------|------------|---|
| 1 | 496412 | | Cylinder Assembly |
| 2 | 399265 | | Kit-Bushing/Seal -(Magneto Side) |
| 3 | 391086S | | SEAL, Oil -(Magneto Side) |
| 4 | 693582 | | Sump-Engine -Used After Code Date 98063000 |
| 4A | 496742 | | Sump-Engine -Used Before Code Date 98070100 |
| 7 | 273280S | | GASKET, Cylinder Head |
| 8 | 696126 | | Breather Assembly |
| 9 | 27803S | | Gasket-Breather |
| 10 | 691666 | | Screw -(Breather Assembly) |
| 12 | 692226 | | Gasket-Crankcase -(.015" Thick) |
| 12 | 692405 | | Gasket-Crankcase -(.009" Thick) |
| 12 | 692406 | | Gasket-Crankcase -(.005" Thick) |
| 15 | 690946 | | PLUG, Oil Drain |
| 16 | 690136 | | Crankshaft -Used After Code Date 98063000 |
| 16A | 693944 | | Crankshaft -Used After Code Date 95073100 -Used Before Code Date 98070100 |
| 16B | 693653 | | Crankshaft -Used Before Code Date 95080100 |
| 20 | 291675S | | Seal-Oil -(PTO Side) |
| 22 | 692125 | | SCREW -(Crankcase Cover/Sump) |
| 24 | 222698S | | KEY, Flywheel |
| 25 | 499292 | | Piston Assembly -(.020" Oversize) -Used Before Code Date 01041900 |
| 25 | 499284 | | Piston Assembly -(Standard) -Used Before Code Date 01041900 |
| 25 | 696397 | | Piston Assembly -(Standard) -Used After Code Date 01041800 |
| 25 | 696399 | | Piston Assembly -(.020" Oversize) -Used After Code Date 01041800 |
| 25 | 696400 | | Piston Assembly -(.030" Oversize) -Used After Code Date 01041800 |
| 26 | 696403 | | Ring Set -(Standard) -Used After Code Date 01041800 |
| 26 | 696404 | | Ring Set -(.010" Oversize) -Used After Code Date 01041800 |
| 26 | 696405 | | Ring Set -(.020" Oversize) -Used After Code Date 01041800 |
| 26 | 696406 | | Ring Set -(.030" Oversize) -Used After Code Date 01041800 |

1058 OPERATOR'S MANUAL

1330 REPAIR MANUAL

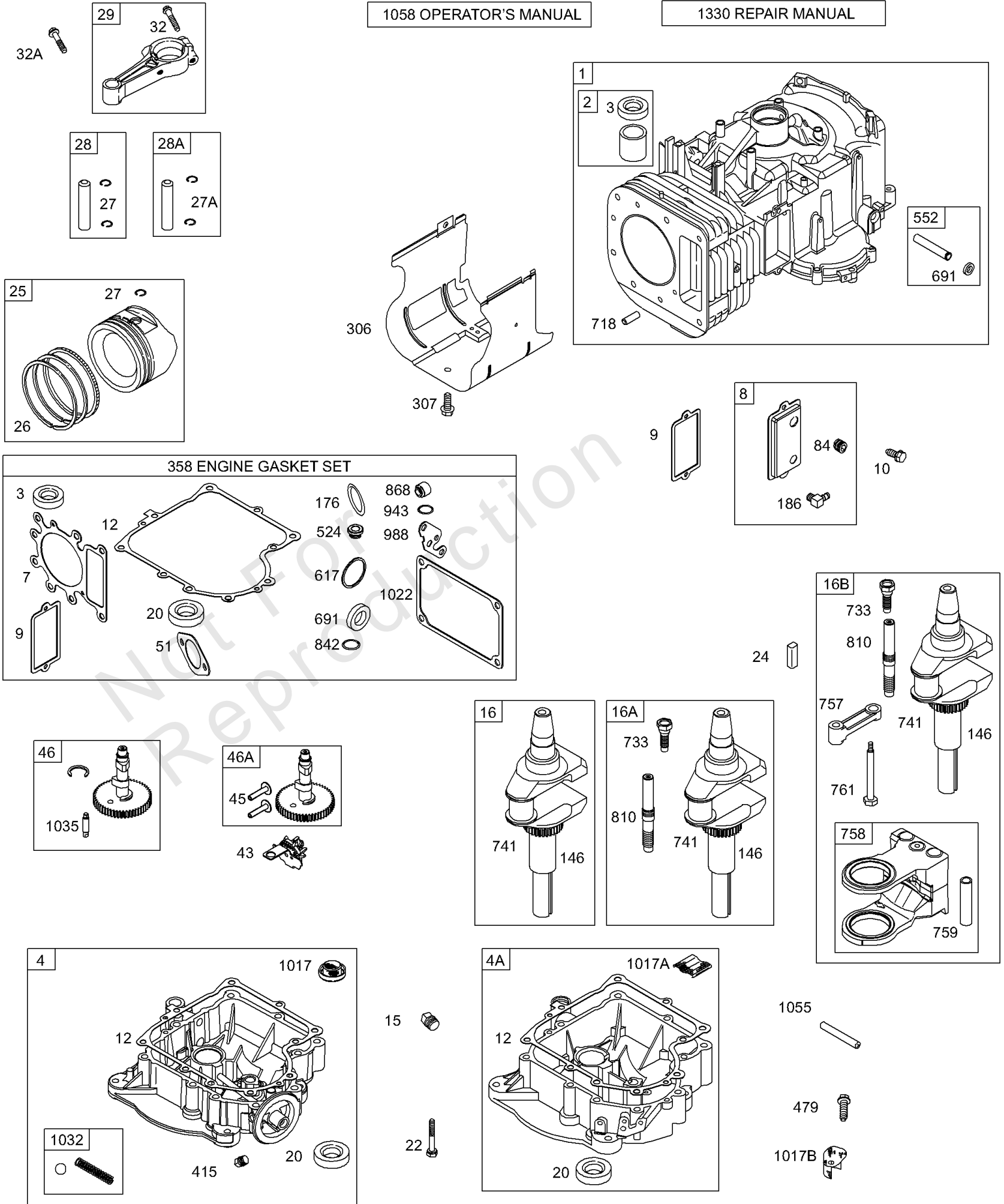


Cylinder, Piston/Rings, Breather, Engine Gaskets, Sump, Crankshaft, Cam, Counterweight

| REF NO | PART NO | QTY | DESCRIPTION |
|---------------|----------------|------------|---|
| 26 | 495851 | | Ring Set -(.020" Oversize) -Used Before Code Date 01041900 |
| 26 | 495854 | | Ring Set -(Standard) -Used Before Code Date 01041900 |
| 26 | 495855 | | Ring Set -(.030" Oversize) -Used Before Code Date 01041900 |
| 27 | 691299 | | Lock-Piston Pin -Used After Code Date 95101500 |
| 27A | 691792 | | Lock-Piston Pin -Used Before Code Date 95101600 |
| 28 | 498319 | | Pin-Piston -(Standard) -Used After Code Date 95101500 |
| 28 | 498320 | | Pin-Piston -(.005" Oversize) -Used After Code Date 95101500 |
| 28A | 391286 | | Pin-Piston -(.005" Oversize) -Used Before Code Date 95101600 |
| 28A | 299691 | | Pin-Piston -(Standard) -Used Before Code Date 95101600 |
| 29 | 692420 | | Rod-Connecting -(.020" Undersize) -Used After Code Date 98063000 |
| 29 | 494504S | | Rod-Connecting -(Standard) -Used Before Code Date 98070100 |
| 29 | 495490 | | Rod-Connecting -(.020" Undersize) -Used Before Code Date 98070100 |
| 29 | 692419 | | Rod-Connecting -(Standard) -Used After Code Date 98063000 |
| 32 | 692852 | | Screw -(Connecting Rod) -Used After Code Date 98063000 |
| 32A | 690348 | | Screw -(Connecting Rod) (1 5/8" Long) -Used Before Code Date 98070100 |
| 32A | 690356 | | Screw -(Connecting Rod) (1 7/8" Long) -Used Before Code Date 98070100 |
| 43 | 691968 | | SLINGER, Governor/Oil |
| 45 | 690564 | | TAPPET, Valve |
| 46 | 693450 | | Camshaft -Used After Code Date 98063000 |
| 46A | 790340 | | Camshaft -Used Before Code Date 98070100 |
| 51 | 692137 | | GASKET, Intake -Used After Code Date 97100500 |
| 84 | 690343 | | Plug-Breather |
| 146 | 691639 | | KEY, Woodruff |
| 176 | 691917 | | SEAL, O-Ring -(Air Cleaner Base) |
| 186 | 691609 | | Connector-Hose -(Vacuum Line)(Breather Assembly) |
| 306 | 698454 | | Shield-Cylinder |

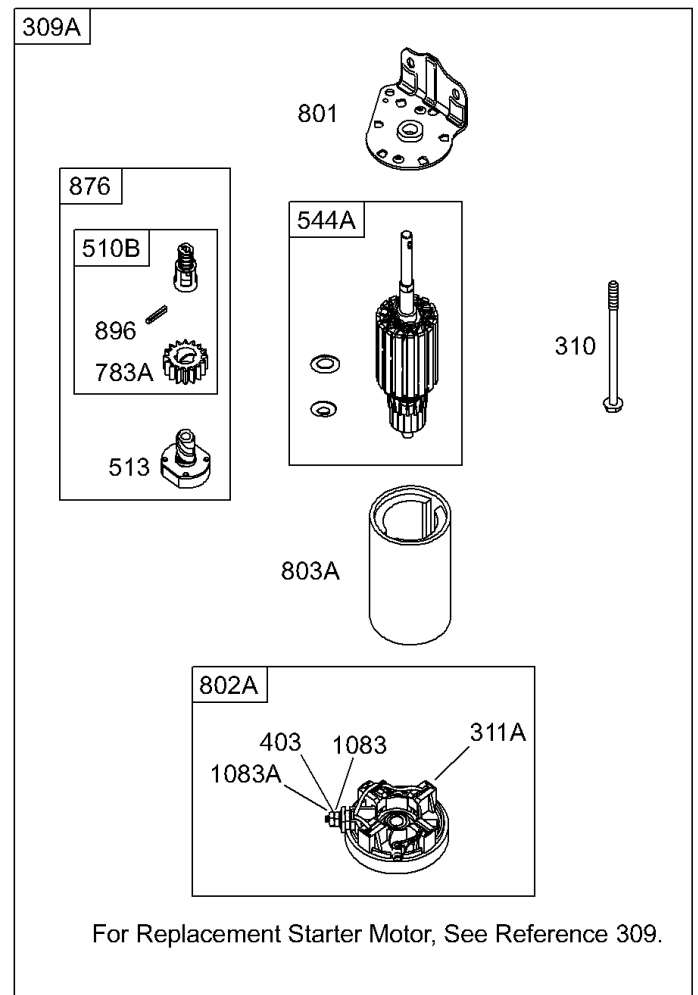
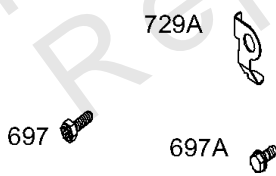
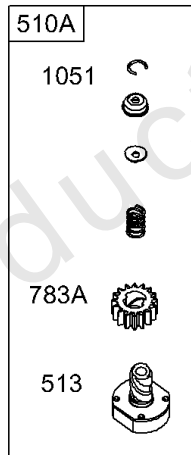
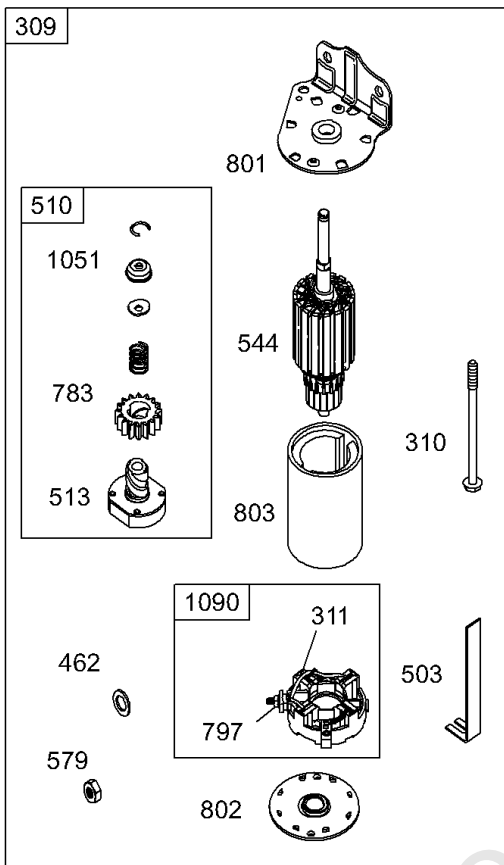
1058 OPERATOR'S MANUAL

1330 REPAIR MANUAL



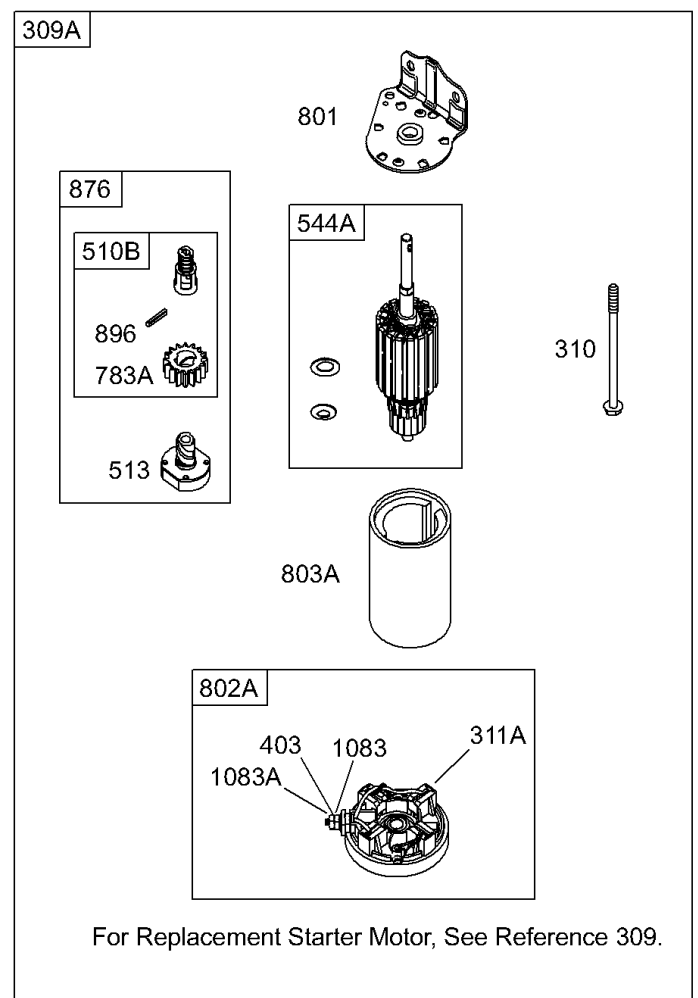
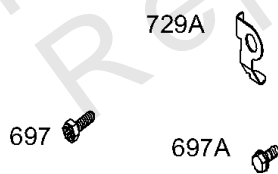
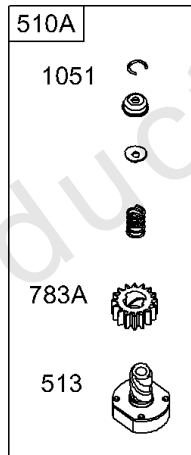
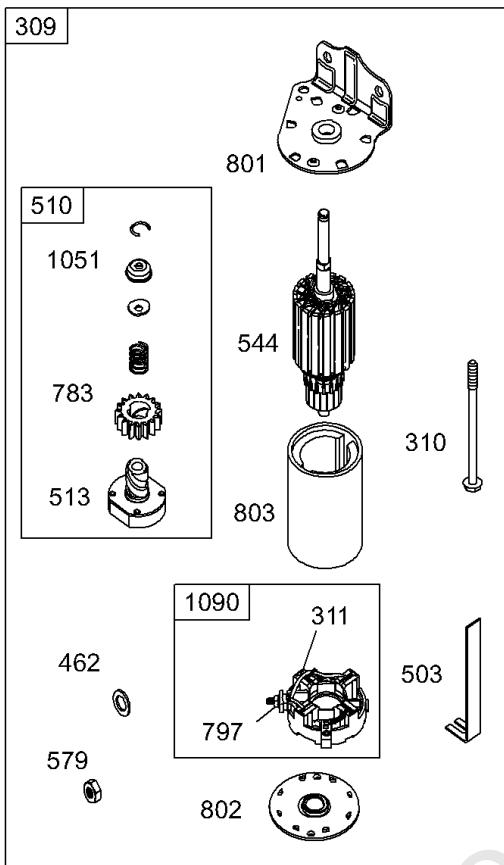
Cylinder, Piston/Rings, Breather, Engine Gaskets, Sump, Crankshaft, Cam, Counterweight

| REF NO | PART NO | QTY | DESCRIPTION |
|---------------|----------------|------------|---|
| 307 | 691003 | | SCREW -(Cylinder Shield) |
| 358 | 495993 | | Gasket Set-Engine -Used Before Code Date 97100600 |
| 358 | 691580 | | Gasket Set-Engine -Used After Code Date 97100500 |
| 415 | 690283 | | Plug -(Pressure Relief Valve) |
| 479 | 691627 | | Screw -(Oil Pump Screen) -Used Before Code Date 94110700 |
| 524 | 281370S | | Seal-Dipstick Tube |
| 552 | 491986 | | Bushing-Governor Crank |
| 617 | 692138 | | SEAL, O-Ring -(Intake Manifold) |
| 691 | 692407 | | SEAL, Governor Shaft |
| 718 | 690959 | | PIN, Locating |
| 733 | 691658 | | Screw -(Crankshaft Extension) |
| 741 | 691284 | | Gear-Timing |
| 757 | 691714 | | Link-Counterweight |
| 758 | 692423 | | Counterweight |
| 759 | 691239 | | Pin-Counterweight |
| 761 | 691096 | | Screw -(Counterweight) |
| 810 | 691779 | | Extension-Crankshaft |
| 842 | 691870 | | Seal-O Ring -(Dipstick Tube) |
| 868 | 690968 | | SEAL, Valve |
| 943 | 690589 | | SEAL, O-Ring -(Oil Pump Cover) -Used After Code Date 98063000 |
| 988 | 691317 | | Gasket-Oil Adapter |
| 1017 | 690770 | | Screen-Oil Pump |
| 1017A | 691216 | | Screen-Oil Pump |
| 1017B | 225019 | | Screen-Oil Pump -Used Before Code Date 94110700 |
| 1022 | 272475S | | GASKET, Rocker Cover |
| 1032 | 491710 | | Ball-Oil Pump |
| 1035 | 693784 | | Shaft-Pump -Used After Code Date 98063000 |
| 1055 | 690528 | | Tube-Oil Pump |
| 1058 | 275935 | | Operator's Manual |
| 1330 | 272147 | | Repair Manual |



Electric Starter

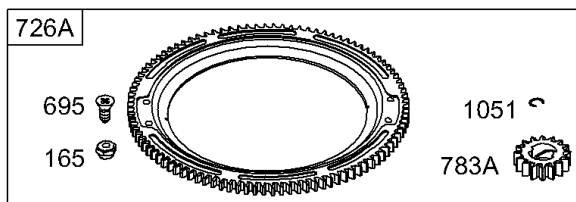
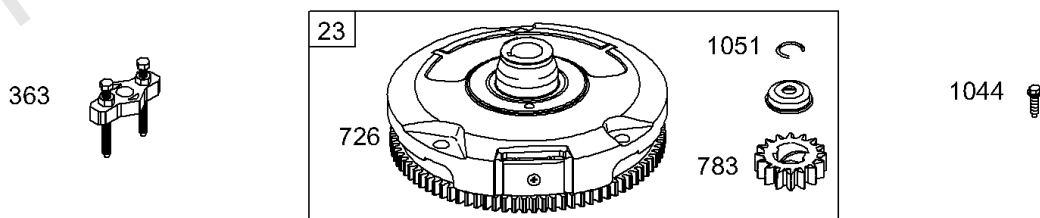
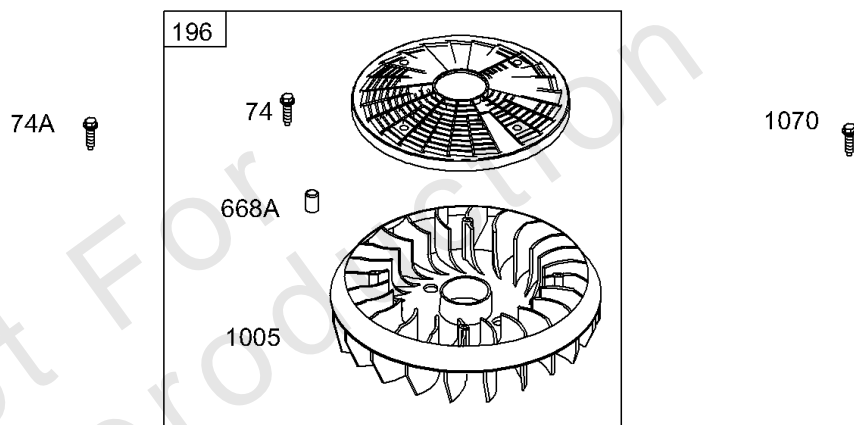
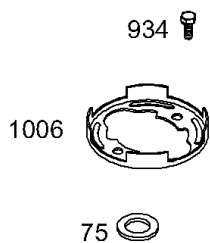
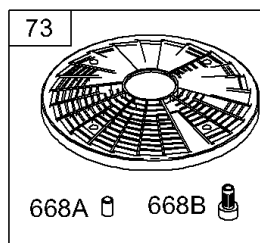
| REF NO | PART NO | QTY | DESCRIPTION |
|--------|---------|-----|--|
| 309 | 693054 | | Motor-Starter -(3 5/8" Housing Length For Aluminum Ring Gear Only) |
| 309 | 693551 | | Motor-Starter -(3 5/8" Housing Length For Steel Ring Gear Only) |
| 309 | 693552 | | Motor-Starter -(4-3/8" Housing Length For Steel Ring Gear Only) |
| 309 | 497401 | | Motor-Starter -(4-3/8" Housing Length For Plastic Ring Gear Only) |
| 309 | 497595 | | Motor-Starter -(3 5/8" Housing Length For Plastic Ring Gear Only) |
| 309 | 499521 | | Motor-Starter -(4-3/8" Housing Length For Aluminum Ring Gear Only) |
| 309A | ----- | | Motor-Starter -(For Replacement Starter Motor, Order Reference 309) |
| 310 | 690323 | | BOLT -(Starter Motor) (3 5/8" Housing Length) |
| 310 | 691263 | | Screw -(Starter Motor) (4 3/8" Housing Length) |
| 311 | 497608 | | Brush Set |
| 311A | 395538 | | Brush Set -(3 5/8" Housing Length) |
| 403 | 690288 | | Washer -(End Cap) |
| 462 | 691261 | | WASHER -(Starter Cable) |
| 503 | 691532 | | STRAP, Starter |
| 510 | 693699 | | DRIVE, Starter -(Used With Steel Ring Gear) |
| 510A | 696541 | | Drive-Starter -(Used With Aluminum And Plastic Ring Gears) |
| 510B | 696540 | | Drive-Starter |
| 513 | 692024 | | CLUTCH, Drive |
| 544 | 692034 | | Armature-Starter -(3 5/8" Housing Length) |
| 544A | 390837 | | Armature-Starter -(3 5/8" Housing Length) |
| 544A | 490309 | | Armature-Starter -(4 3/8" Housing Length) |
| 579 | 691029 | | NUT -(Starter Cable) |
| 697 | 690372 | | Screw -(Drive Cap) |
| 697A | 691058 | | Screw -(Drive Cap) |
| 729A | 691224 | | CLIP, Wire -(Starter Motor) |
| 783 | 693713 | | Gear-Pinion -(DC)(10-16 AMP) |
| 783A | 695708 | | Gear-Pinion |
| 797 | 693167 | | NUT -(Brush Retainer) |
| 801 | 691283 | | CAP, Drive |
| 802 | 691286 | | CAP, End |
| 802A | 395537 | | Cap-End -(3 5/8" Housing Length) |
| 803 | 693757 | | Housing-Starter -(3 5/8" Housing Length) |
| 803A | 494205 | | Housing-Starter -(4 3/8" Housing Length) |



Electric Starter

| REF NO | PART NO | QTY | DESCRIPTION |
|--------|---------|-----|---|
| 803A | 398159 | | Housing-Starter -(3 5/8" Housing Length) |
| 876 | 696539 | | Kit-Pinion Spring |
| 896 | 691641 | | Pin-Drive Retainer |
| 1051 | 691265 | | RING, Retaining |
| 1083 | 690958 | | NUT -(End Cap) (Serrated) |
| 1083A | 691626 | | Nut -(End Cap) |
| 1090 | 691293 | | RETAINER, Brush |

Not For
Reproduction

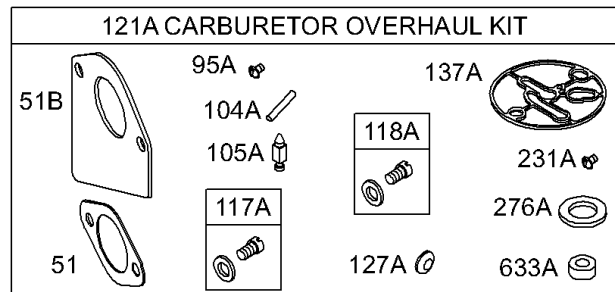
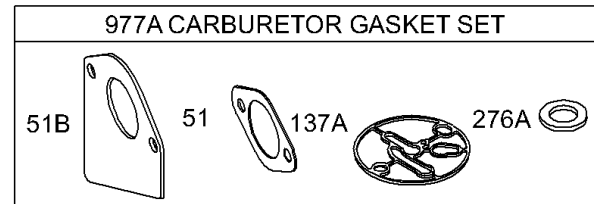
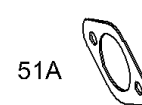
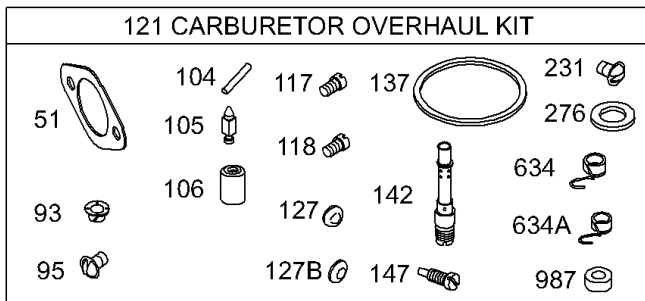
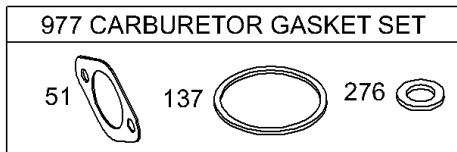
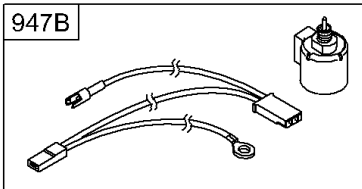
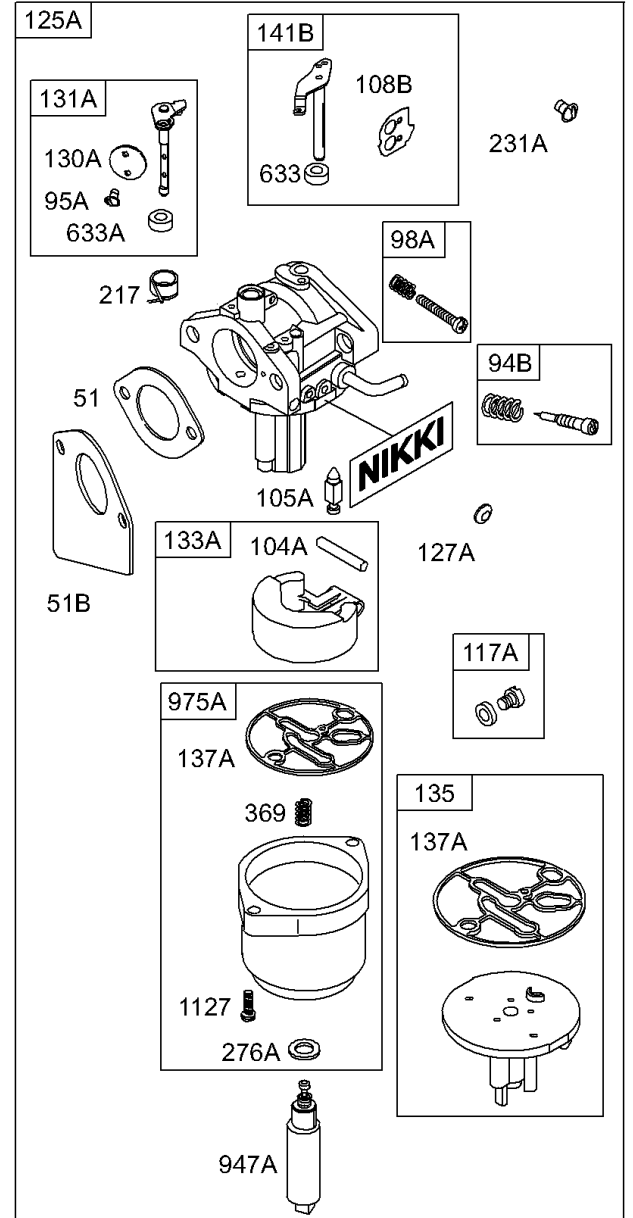
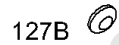
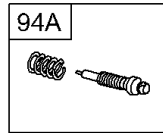
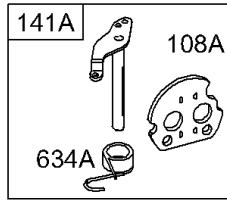
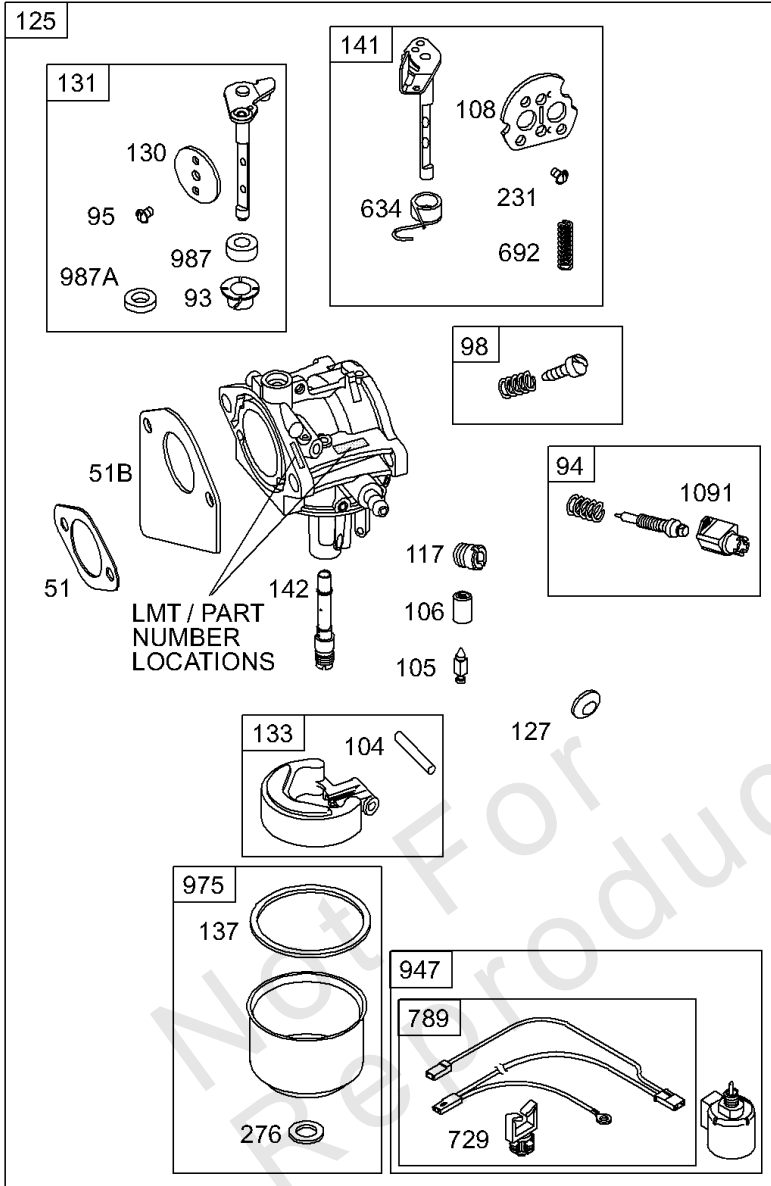


Flywheel Fan, Rotating Screen, Flywheel, Ring Gear

| REF NO | PART NO | QTY | DESCRIPTION |
|--------|---------|-----|---|
| 23 | 693557 | | Flywheel -(Steel Ring Gear) |
| 73 | 494439 | | SCREEN, Rotating |
| 74 | 691674 | | Screw -(Rotating Screen) (1-1/2" Long) |
| 74A | 698425 | | SCREW -(Rotating Screen) (1 1/4" Long) |
| 75 | 690582 | | Washer -(Flywheel) |
| 165 | 693148 | | Nut -(Ring Gear) |
| 196 | 695493 | | Fan/Screen Assembly |
| 363 | 19203 | | PULLER, Flywheel |
| 668A | 691215 | | SPACER -(Rotating Screen) |
| 668B | 691500 | | SPACER -(Rotating Screen) |
| 695 | 693109 | | Screw -(Ring Gear) |
| 726 | ----- | | Gear-Ring -(Steel)(See Reference 23 for Service) |
| 726A | 696537 | | Gear-Ring -(Aluminum)(Services Plastic Ring Gear Only) |
| 783 | 693713 | | Gear-Pinion -(DC)(10-16 AMP) |
| 783A | 695708 | | Gear-Pinion |
| 934 | 690372 | | Screw -(Fan Retainer) |
| 1005 | 697853 | | Fan-Flywheel -Used After Code Date 02030100 |
| 1005 | 697853 | | Fan-Flywheel -Used Before Code Date 02030200 |
| 1006 | 690452 | | Retainer-Fan -Used Before Code Date 01110100 |
| 1044 | 691658 | | Screw -(Flywheel) |
| 1051 | 691265 | | RING, Retaining |
| 1070 | 690372 | | Screw -(Flywheel Fan) |

WALBRO

NIKKI

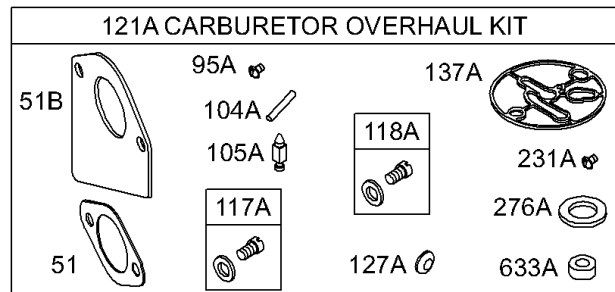
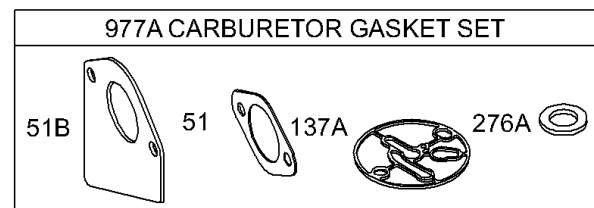
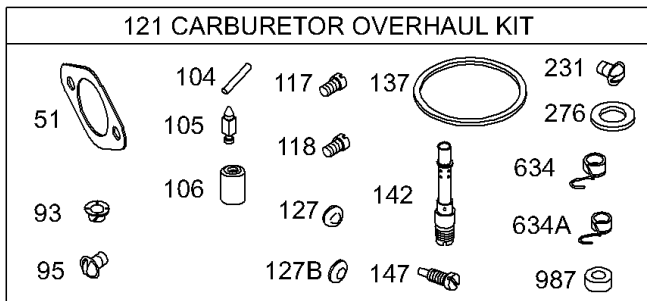
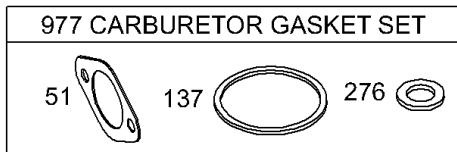
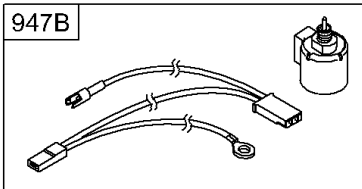
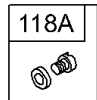
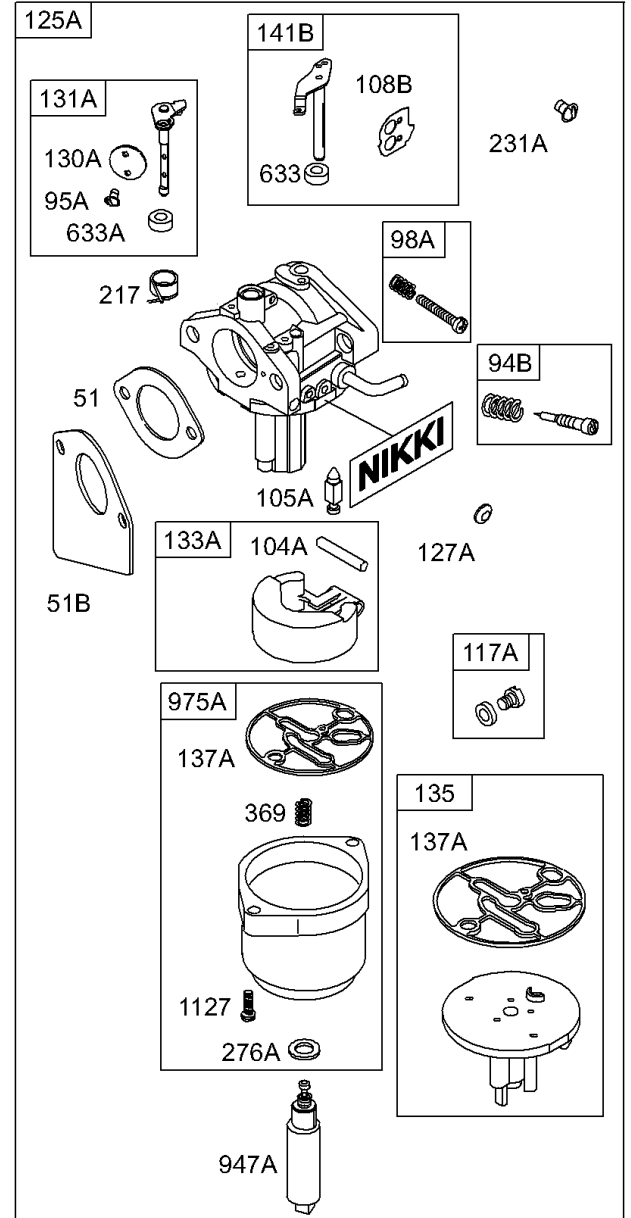
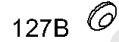
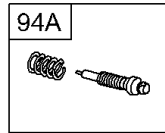
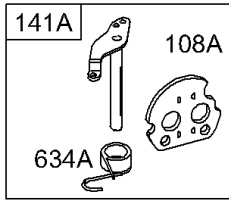
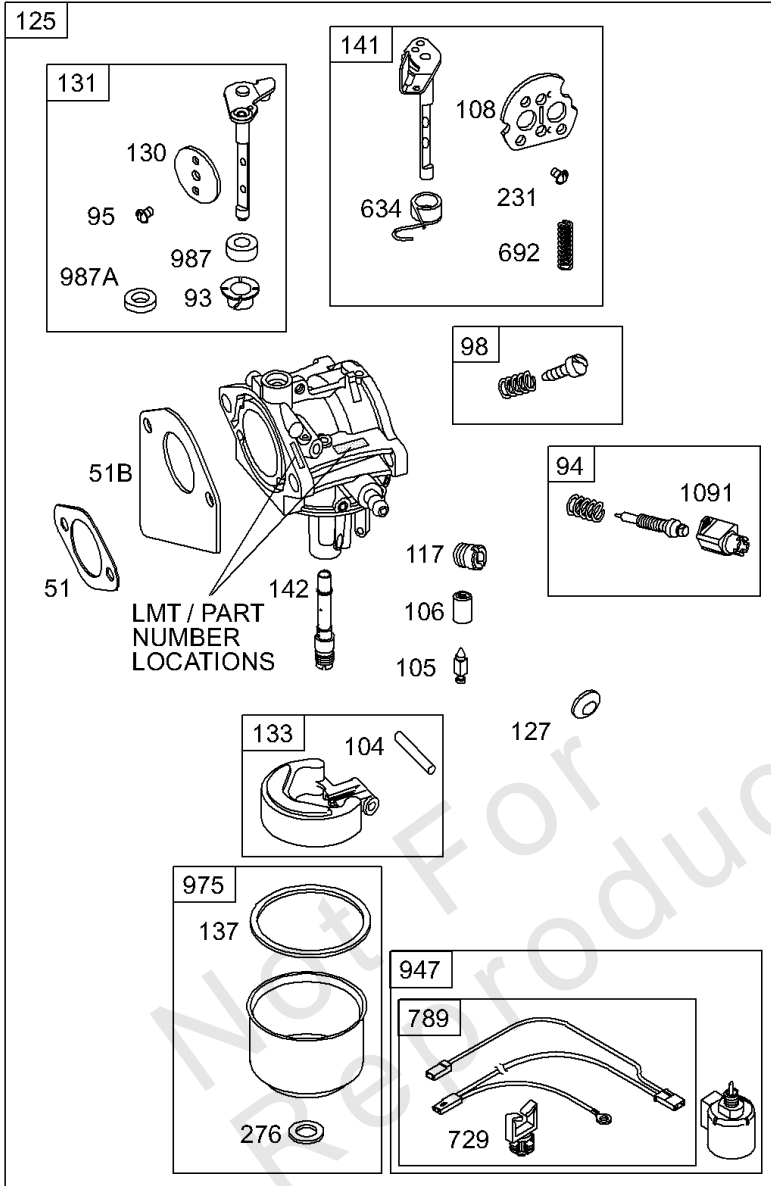


Nikki Carburetor, Gaskets, Walbro Carburetor, Gaskets

| REF NO | PART NO | QTY | DESCRIPTION |
|--------|---------|-----|--|
| 51 | 692137 | | GASKET, Intake -Used After Code Date 97100500 |
| 51A | 272569S | | Gasket-Intake -Used Before Code Date 97100600 |
| 51B | 692284 | | Gasket-Intake |
| 93 | 690602 | | Bushing-Throttle Shaft |
| 94 | 498030 | | Kit-Idle Mixture -(LMT 153, 154, 155, 156) |
| 94 | 498032 | | Kit-Idle Mixture -(LMT 129, 130, 131, 132, 137, 138) |
| 94A | 496589 | | Kit-Idle Mixture -(LMT 149, 150) |
| 94A | 495932 | | Kit-Idle Mixture -(LMT 33, 34, 73, 74, 121, 122, 124) |
| 94B | 695425 | | Kit-Idle Mixture |
| 95 | 691636 | | Screw -(Throttle Valve) |
| 95A | 690718 | | SCREW -(Throttle Valve) |
| 98 | 495800 | | Kit-Idle Speed |
| 98A | 695408 | | KIT, Idle Speed |
| 104 | 690525 | | Pin-Float Hinge |
| 104A | 694918 | | PIN, Float Hinge |
| 105 | 231855S | | Valve-Float Needle |
| 105A | 694922 | | Valve-Float Needle |
| 106 | 690577 | | Seat-Inlet -(Gravity Feed) |
| 106 | 691780 | | Seat-Inlet -(Pump Feed) |
| 108 | 690464 | | Valve-Choke |
| 108A | 692344 | | Valve-Choke |
| 108B | 695419 | | Valve-Choke |
| 117 | 692408 | | Jet-Main -(Standard) (LMT 153, 154, 155, 156) |
| 117 | 697228 | | Jet-Main -(Standard) (LMT 33, 34, 73, 74, 121, 122, 129, 130, 132, 137, 138) |
| 117A | 695415 | | Jet-Main -(Standard) |
| 118 | 231850 | | Jet-Main -(High Altitude) (LMT 33, 34, 73, 74, 121, 122, 129, 130, 132, 137, 138) |
| 118 | 232116 | | Jet-Main -(High Altitude) (LMT 149, 150, 153, 154, 155, 156) |
| 118 | 692411 | | Jet-Main -(High Altitude) (Carburetor Part Numbers 697480, 697481, 697482) |
| 118A | 695416 | | Jet-Main -(High Altitude) |
| 121 | 690191 | | Kit-Carburetor Overhaul -(Walbro) |
| 121A | 695427 | | Kit-Carburetor Overhaul |
| 125 | 698620 | | Carburetor -(Gravity Feed) |
| 125 | 698782 | | Carburetor -(Pump Feed) |
| 125A | ----- | | Carburetor -(Nikki)(Gravity Feed)(Used On 0230E1, 0240E1) |
| 127 | 695005 | | Plug-Welch |
| 127A | 690727 | | PLUG, Welch |

WALBRO

NIKKI

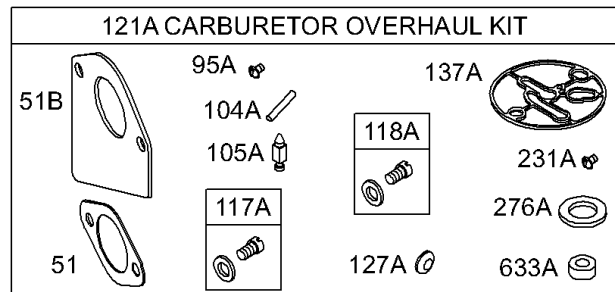
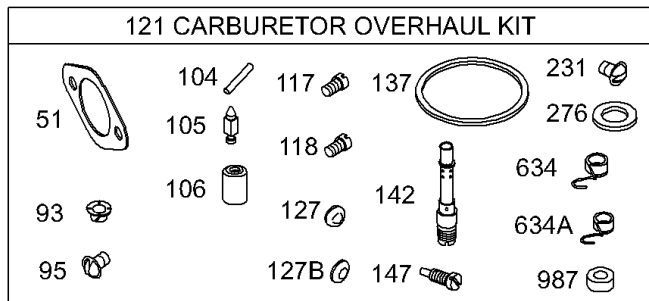
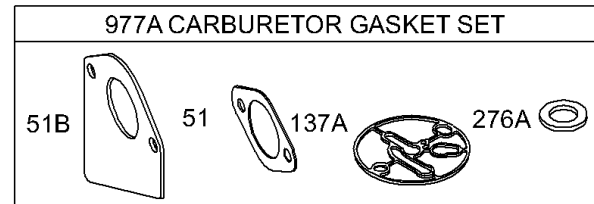
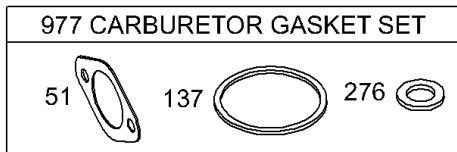
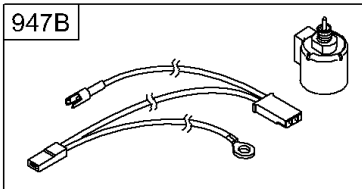
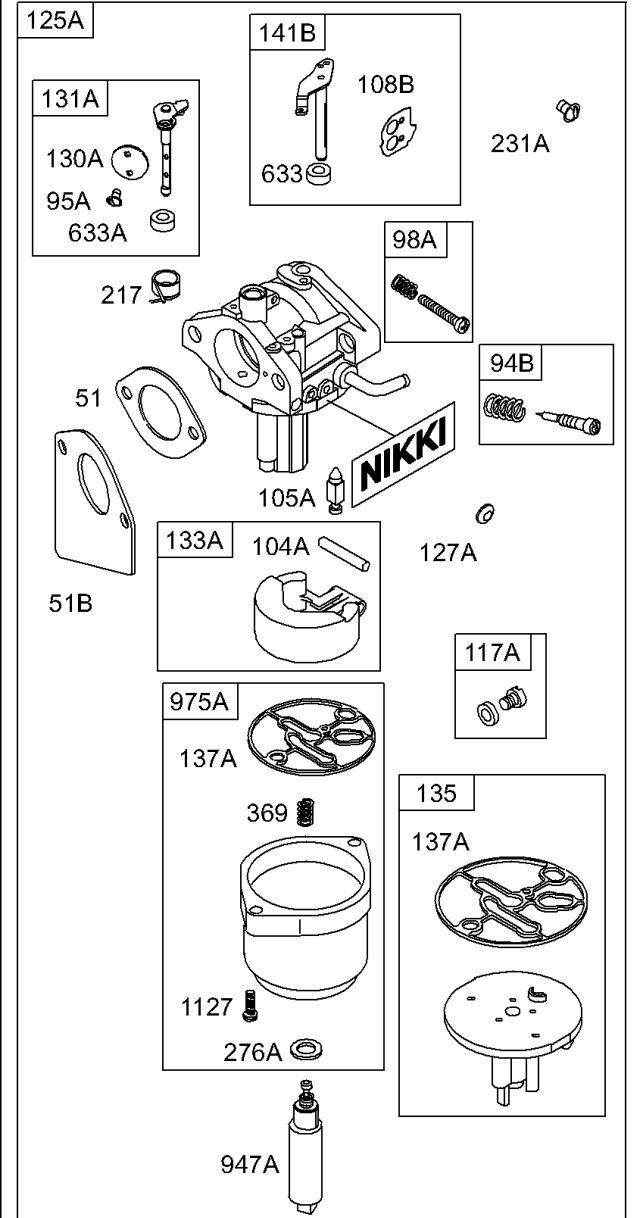
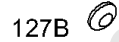
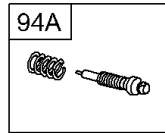
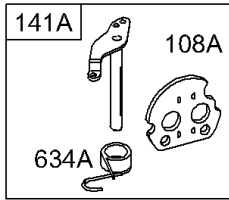
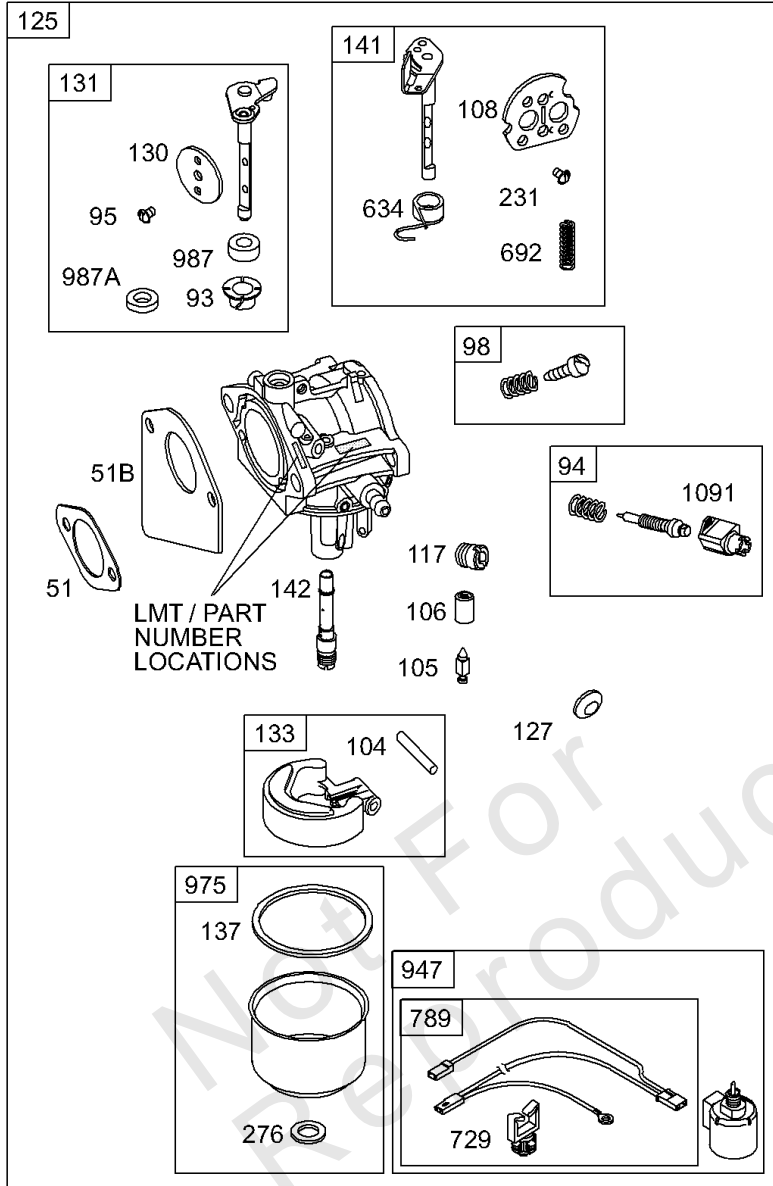


Nikki Carburetor, Gaskets, Walbro Carburetor, Gaskets

| REF NO | PART NO | QTY | DESCRIPTION |
|--------|---------|-----|---|
| 127B | 694530 | | Plug-Welch |
| 130 | 691750 | | Valve-Throttle |
| 130A | 695418 | | Valve-Throttle |
| 131 | 494379 | | Kit-Throttle Shaft |
| 131A | 695421 | | Kit-Throttle Shaft |
| 133 | 494381 | | Float-Carburetor |
| 133A | 694914 | | FLOAT, Carburetor |
| 135 | 696142 | | Tube-Fuel Transfer |
| 137 | 281165S | | Gasket-Float Bowl |
| 137A | 695426 | | Gasket-Float Bowl |
| 141 | 495097 | | Kit-Choke Shaft |
| 141A | 495931 | | Kit-Choke Shaft |
| 141B | 695420 | | Kit-Choke Shaft |
| 142 | 692412 | | Nozzle-Carburetor -(Standard) (LMT 149, 150, 153, 154, 155, 156) |
| 142 | 231990 | | Nozzle-Carburetor -(Standard) (LMT 33, 34, 73, 74, 121, 122, 129, 130, 137, 138) |
| 147 | 231985 | | Jet-Pilot -(LMT 73, 74, 121, 122, 129, 130, 137, 138) |
| 147 | 497472 | | Jet-Pilot -(LMT 33, 34) |
| 186A | 692317 | | Connector-Hose -(Carburetor) -Used Before Code Date 02102800 |
| 217 | 695409 | | SPRING, Choke Return |
| 231 | 691636 | | Screw -(Choke Valve) |
| 231A | 690718 | | SCREW -(Choke Valve) |
| 276 | 692255 | | Washer-Sealing -(Carburetor) |
| 276A | 695410 | | WASHER, Sealing -(Carburetor) |
| 369 | 695422 | | Spring-Float Bowl |
| 633 | 695414 | | Seal-Choke/Throttle Shaft -(Choke) |
| 633A | 690998 | | SEAL, Choke/Throttle Shaft -(Throttle) |
| 634 | 690801 | | Spring/Seal Assembly |
| 634A | 690802 | | Spring/Seal Assembly |
| 692 | 690572 | | Spring-Detent |
| 729 | 691335 | | Clip-Wire -(Wiring Harness/Solenoid) |
| 789 | 692037 | | HARNESS, Wiring -(Solenoid) |
| 947 | 692734 | | Solenoid-Fuel |
| 947A | 695423 | | Solenoid-Fuel |
| 947B | 497672 | | Solenoid-Fuel |
| 975 | 495933 | | Bowl-Float |
| 975A | 695417 | | Bowl-Float |
| 977 | 690192 | | Gasket Set-Carburetor |
| 977A | 695428 | | Gasket Set-Carburetor |
| 987 | 691326 | | Seal-Throttle Shaft |
| 987A | 692001 | | Seal-Throttle Shaft |
| 1091 | 691333 | | Cap-Limiter |

WALBRO

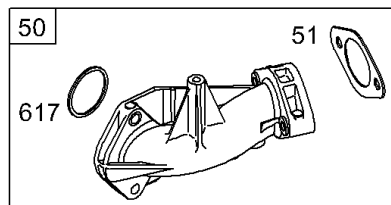
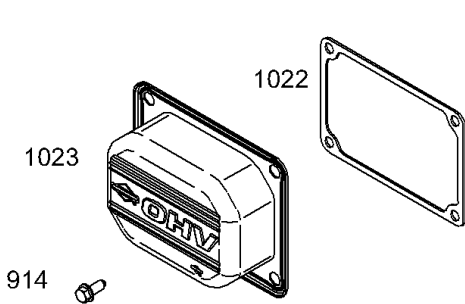
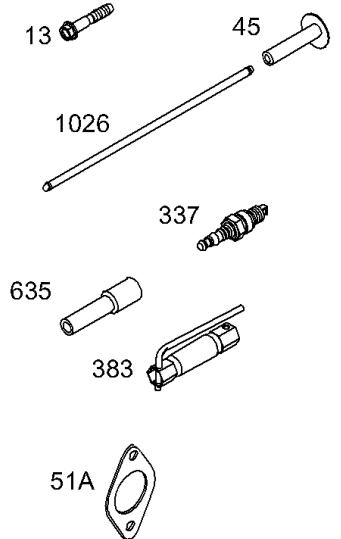
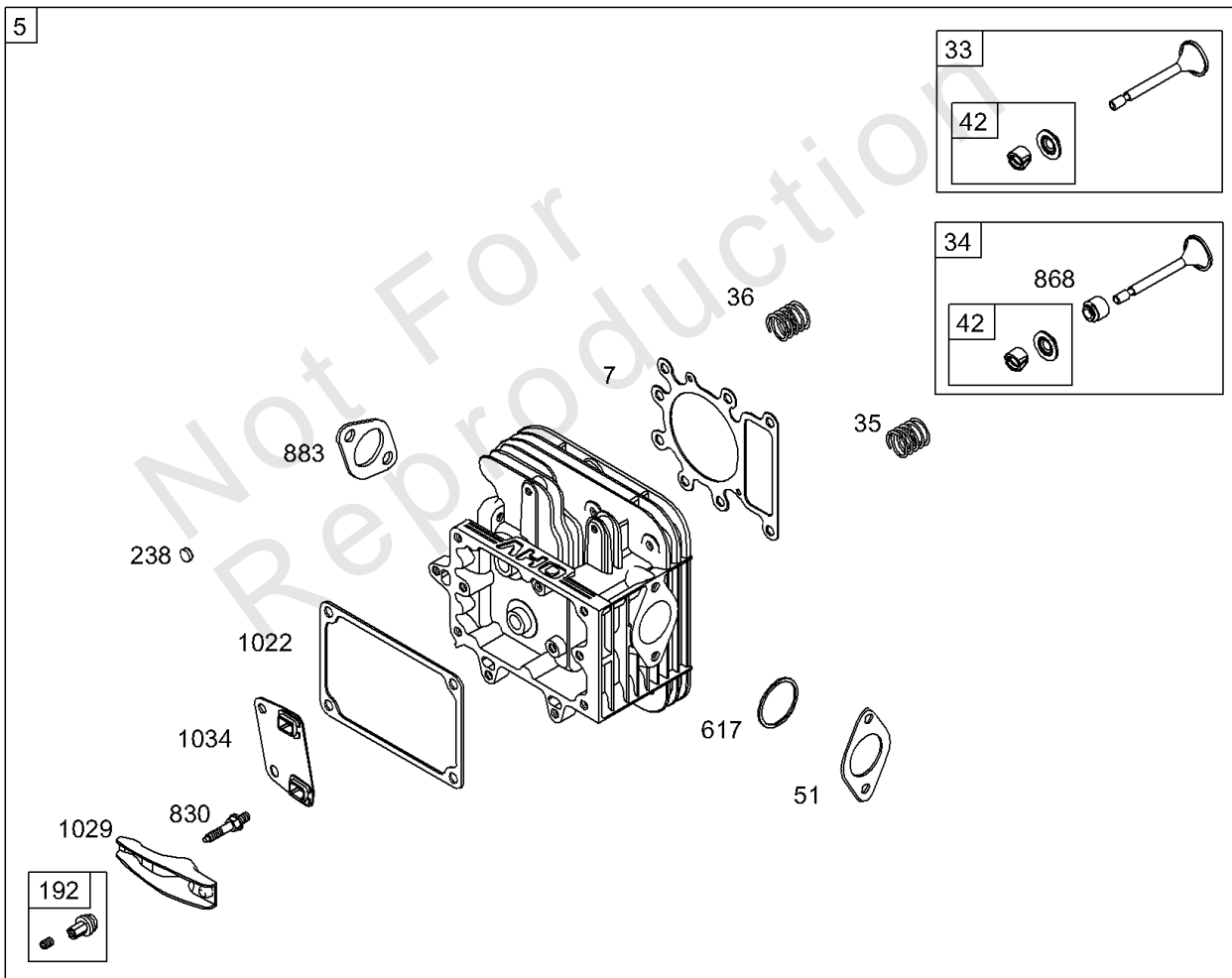
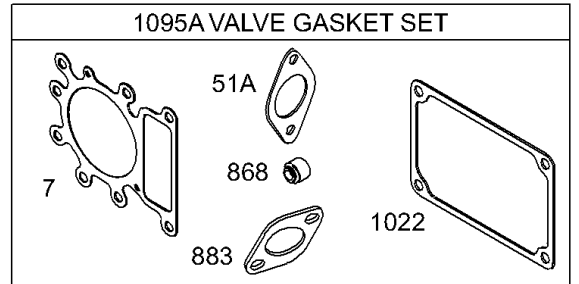
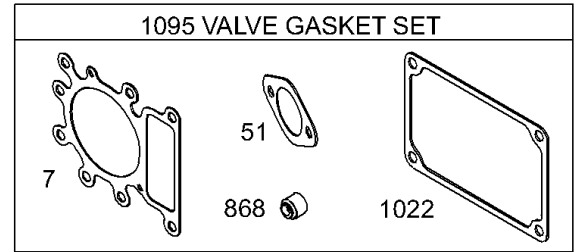
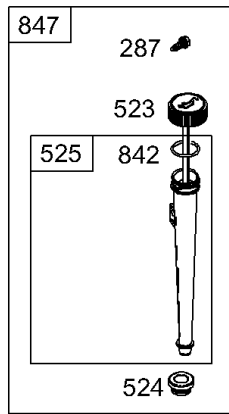
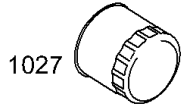
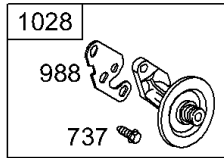
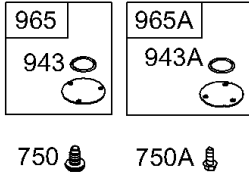
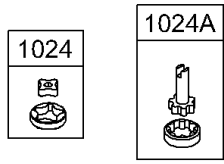
NIKKI



Nikki Carburetor, Gaskets, Walbro Carburetor, Gaskets

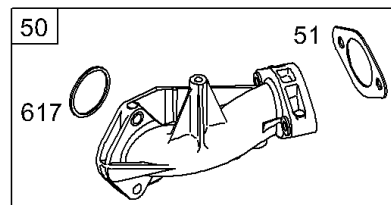
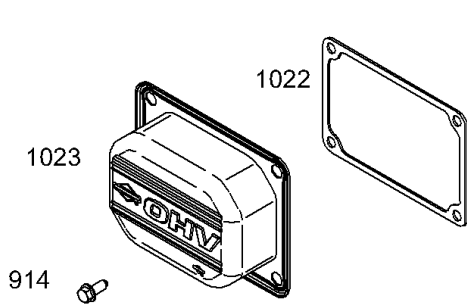
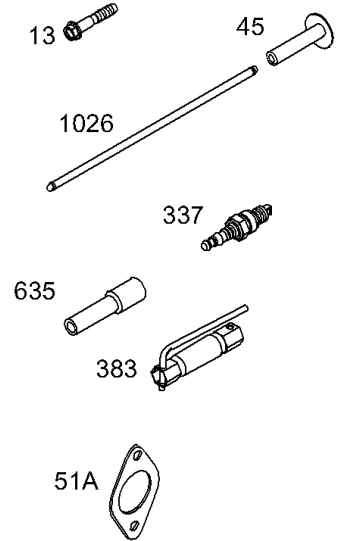
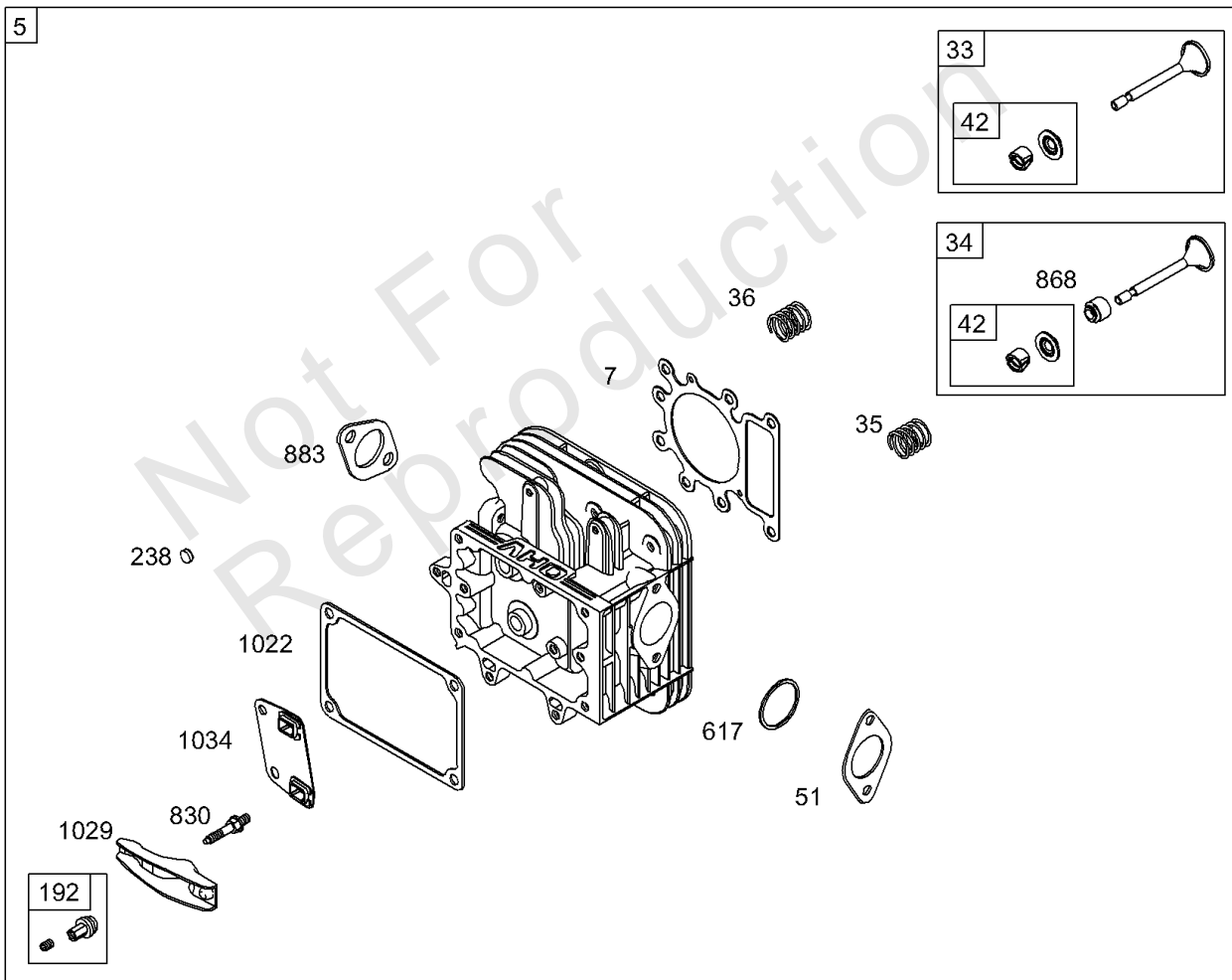
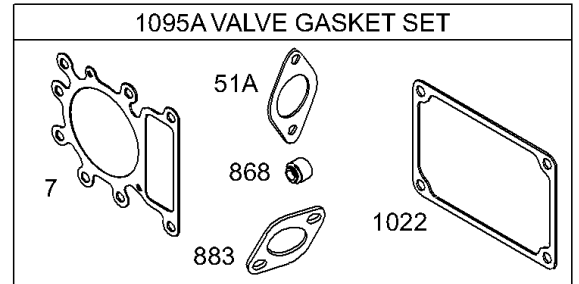
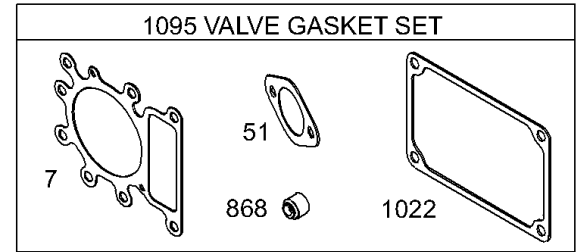
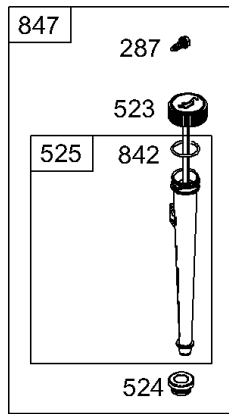
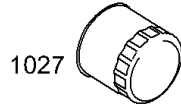
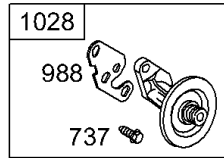
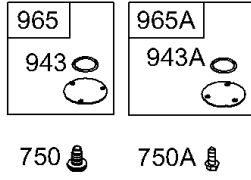
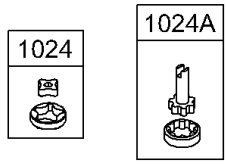
| REF NO | PART NO | QTY | DESCRIPTION |
|--------|---------|-----|------------------------------------|
| 1127 | 695407 | | SCREW, Float Bowl -(Float Bowl) |

Not For
Reproduction



Oil, Valve Gaskets, Valves, Head, Intake, Rocker Cover

| REF NO | PART NO | QTY | DESCRIPTION |
|--------|---------|-----|--|
| 5 | 698148 | | Head-Cylinder |
| 7 | 273280S | | GASKET, Cylinder Head |
| 13 | 690360 | | SCREW -(Cylinder Head) |
| 33 | 695760 | | Valve-Exhaust |
| 34 | 695761 | | Valve-Intake |
| 35 | 691279 | | SPRING, Valve -(Intake) |
| 36 | 691279 | | SPRING, Valve -(Exhaust) |
| 42 | 499586 | | KEEPER, Valve |
| 45 | 690564 | | TAPPET, Valve |
| 50 | 690193 | | Manifold-Intake -Used After Code Date 97100500 |
| 51 | 692137 | | GASKET, Intake -Used After Code Date 97100500 |
| 51A | 272569S | | Gasket-Intake -Used Before Code Date 97100600 |
| 53 | 690227 | | Stud -(Carburetor) |
| 54 | 691148 | | SCREW -(Intake Manifold) (1" Long) -Used After Code Date 97100500 |
| 54A | 690953 | | Screw -(Intake Manifold) (3/4" Long) -Used Before Code Date 97100600 |
| 192 | 691986 | | ADJUSTER, Rocker Arm |
| 238 | 691843 | | CAP, Valve |
| 287 | 691002 | | Screw -(Dipstick Tube) |
| 337 | 491055S | | PLUG, Spark |
| 383 | 89838S | | Wrench-Spark Plug |
| 523 | 692014 | | Dipstick |
| 524 | 281370S | | Seal-Dipstick Tube |
| 525 | 691398 | | Tube-Dipstick |
| 617 | 692138 | | SEAL, O-Ring -(Intake Manifold) |
| 635 | 691909 | | BOOT, Spark Plug |
| 654 | 690958 | | NUT -(Carburetor) |
| 737 | 691118 | | Screw -(Oil Filter Adapter) |
| 750 | 691033 | | Screw -(Oil Pump Cover) -Used After Code Date 98063000 |
| 750A | 691108 | | SCREW -(Oil Pump Cover) -Used Before Code Date 98070100 |
| 830 | 691095 | | STUD, Rocker Arm |
| 842 | 691870 | | Seal-O Ring -(Dipstick Tube) |
| 847 | 496415 | | Dipstick/Tube Assembly |
| 868 | 690968 | | SEAL, Valve |
| 883 | 692236 | | GASKET, Exhaust |
| 914 | 691108 | | SCREW -(Rocker Cover) |
| 943 | 690589 | | SEAL, O-Ring -(Oil Pump Cover) -Used After Code Date 98063000 |



Oil, Valve Gaskets, Valves, Head, Intake, Rocker Cover

| REF NO | PART NO | QTY | DESCRIPTION |
|--------|---------|-----|---|
| 943A | 690604 | | Seal-O Ring -(Oil Pump Cover) -Used Before Code Date 98070100 |
| 965 | 499613 | | COVER, Oil Pump -Used After Code Date 98063000 |
| 965A | 496745 | | Cover-Oil Pump -Used Before Code Date 98070100 |
| 988 | 691317 | | Gasket-Oil Adapter |
| 1022 | 272475S | | GASKET, Rocker Cover |
| 1023 | 692492 | | Cover-Rocker |
| 1024 | 499054 | | Pump-Oil -Used After Code Date 98063000 |
| 1024A | 493884 | | Pump-Oil -Used Before Code Date 98070100 |
| 1026 | 692003 | | ROD, Push -(Intake) |
| 1026 | 692011 | | ROD, Push -(Exhaust) |
| 1027 | 492932S | | FILTER, Oil |
| 1028 | 496744 | | Adapter-Oil Filter |
| 1029 | 691751 | | ARM, Rocker |
| 1034 | 690822 | | GUIDE, Push Rod |
| 1095 | 691581 | | Gasket Set-Valve -Used After Code Date 97100500 |
| 1095A | 495992 | | Gasket Set-Valve -Used Before Code Date 97100600 |

Replacement Engine

| REF NO | PART NO | QTY | DESCRIPTION |
|--------|------------|-----|--|
| | 31L7770136 | 1 | Replacement Engine |
| | 697762 | 1 | Replacement Short Block |
| | ----- | | Top No-Load Speed: 3250 -Trim: ALL |
| | ----- | | Service Note: Transfer Muffler and/or Spark Arrester Assembly from the original engine if suitable for additional service or add new parts as required |
| | ----- | | Service Note: If the original engine is equipped with a Six Pin Wiring Harness transfer to the replacement engine. |
| | ----- | | Service Note: If the replacement engine supersedes to or is a Model 310000 series engine, refer to the illustrations located after the conversion data for this model series. The overall dimensions which differ, are shown in the illustrations. |
| | ----- | | Service Note: If after making a visual inspection and it is determined the Model 310000 series engine cannot be used because of equipment interference, the original engine should be repaired with a short block and/or individual parts. |

Not For
Reproduction

