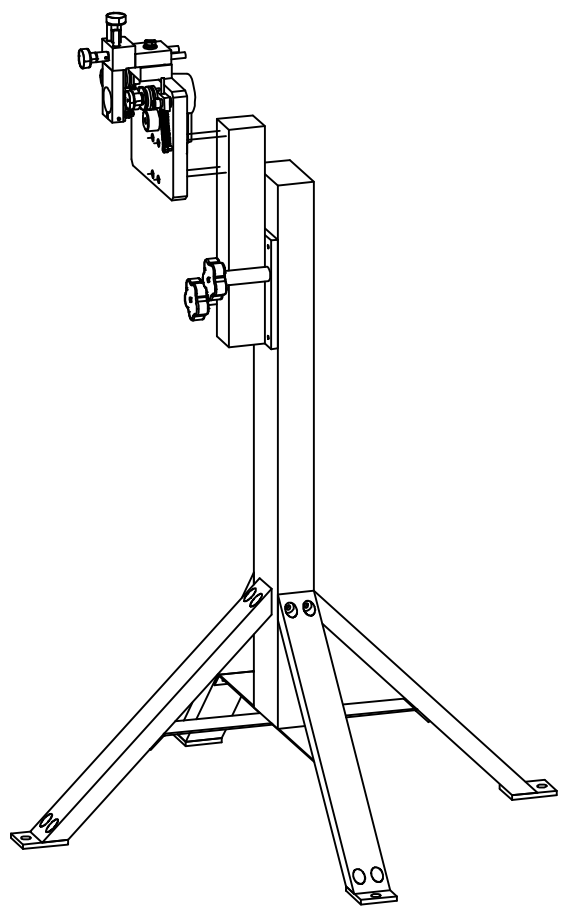
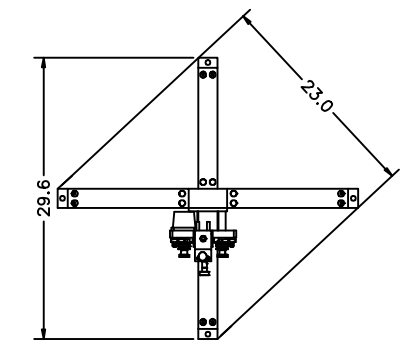
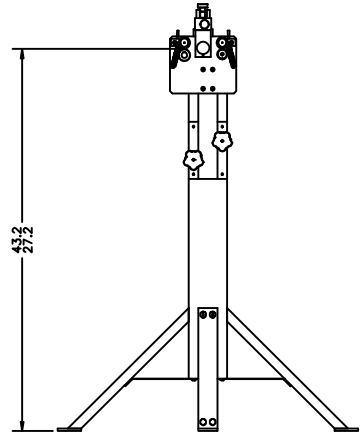


REV | DATE | BY | DESCRIPTION



Automation Plus
Mechanical Division
 3409 W. Harry, Wichita, Ks 67213 (316) 946-9988

Notice of Proprietary Rights:
 The information contained herein is the property of Automation Plus, Inc. and is intended for the use of the customer only. It is not to be distributed, copied, or otherwise used without the written consent of Automation Plus, Inc.

DESIGN BY: _____ DATE: _____
 DRAWN BY: _____ DATE: _____
 APPROVED BY: _____ DATE: _____

Tolerances Unless Otherwise Specified:
 Angles: $\pm 1/2^\circ$
 Fractions: $\pm 1/16$
 X: $\pm .1$
 XX: $\pm .01$
 XXX: $\pm .005$
 .XXX: $\pm .0005$

TITLE: _____ CUSTOMER: _____
 MATERIAL: _____ JOB NO.: _____
 FINISH: _____ SCALE: _____ SHEET _____ OF _____
 QTY: _____ MEET ASSY: _____ FILE NO.: _____