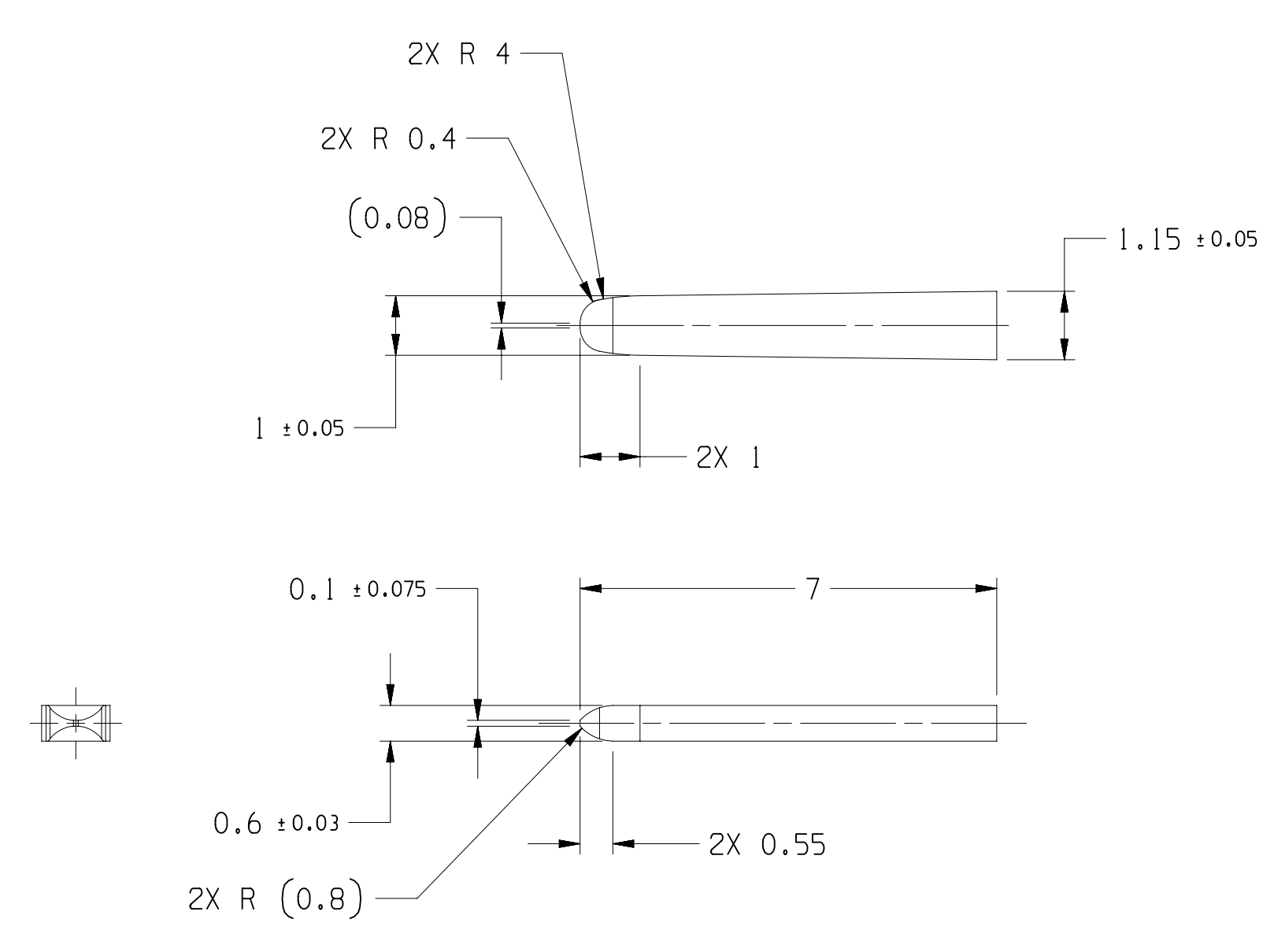
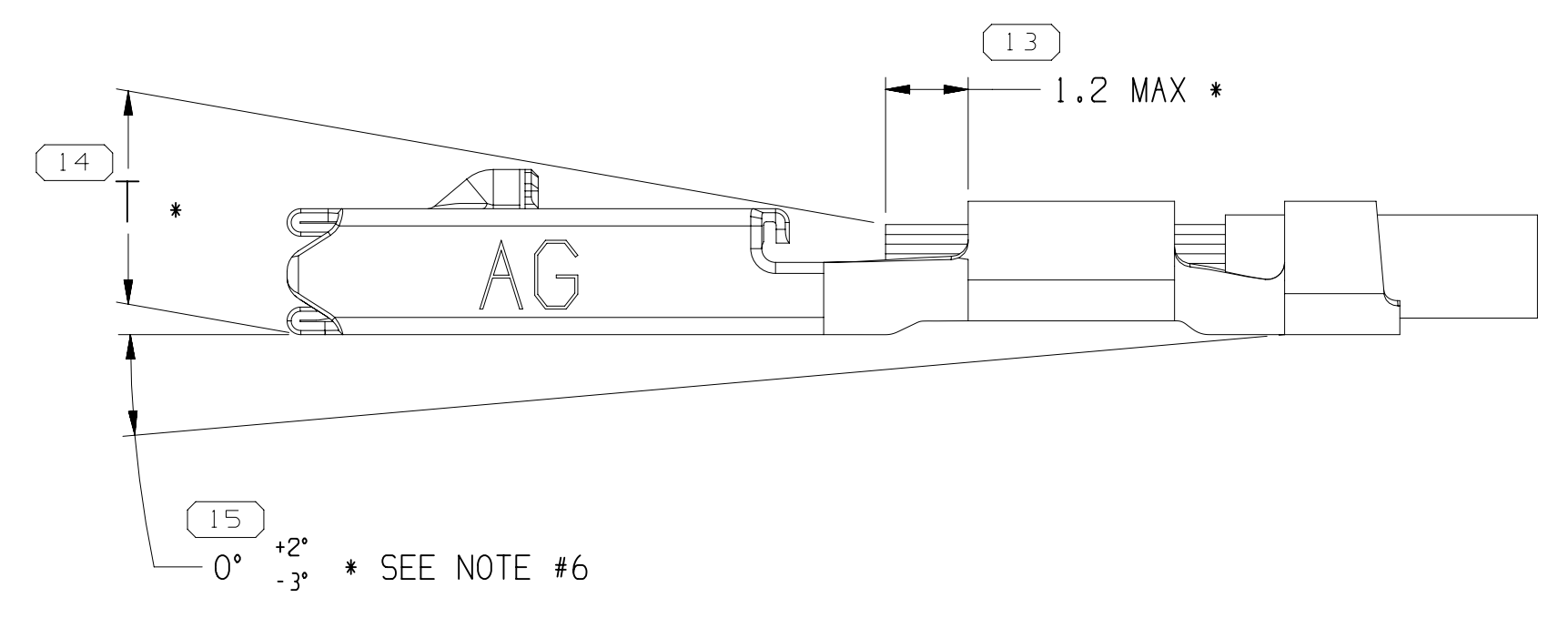


SYMBOL DEFINITION		TOTAL NO OF INSPECTIONS REQUIRED
A DIMENSION WITHOUT AN INSPECTION REPORT SYMBOL () DOES NOT REQUIRE INSPECTION. IT MAY BE CONTROLLED ON THE INDIVIDUAL COMPONENT DRAWING.		21
	LAST NO. USED	19

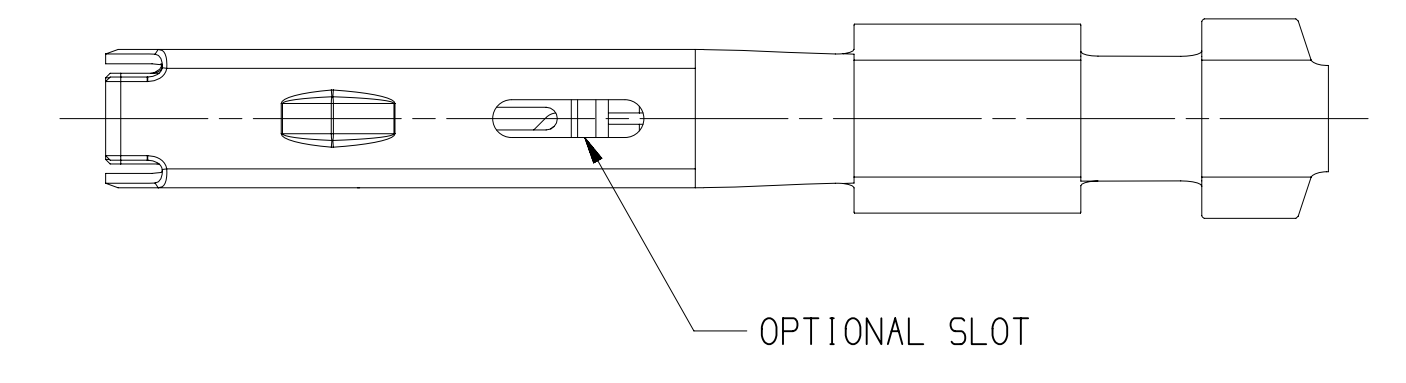
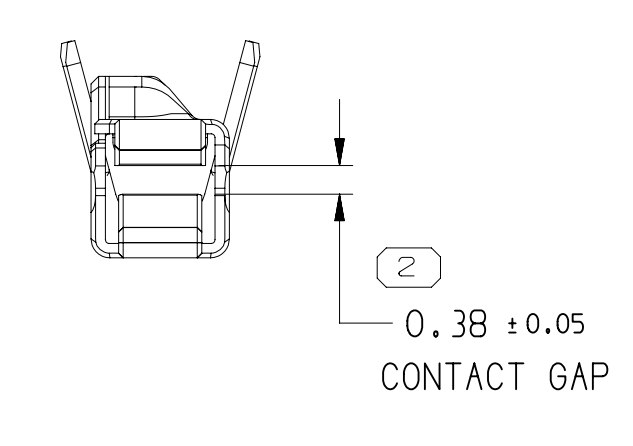
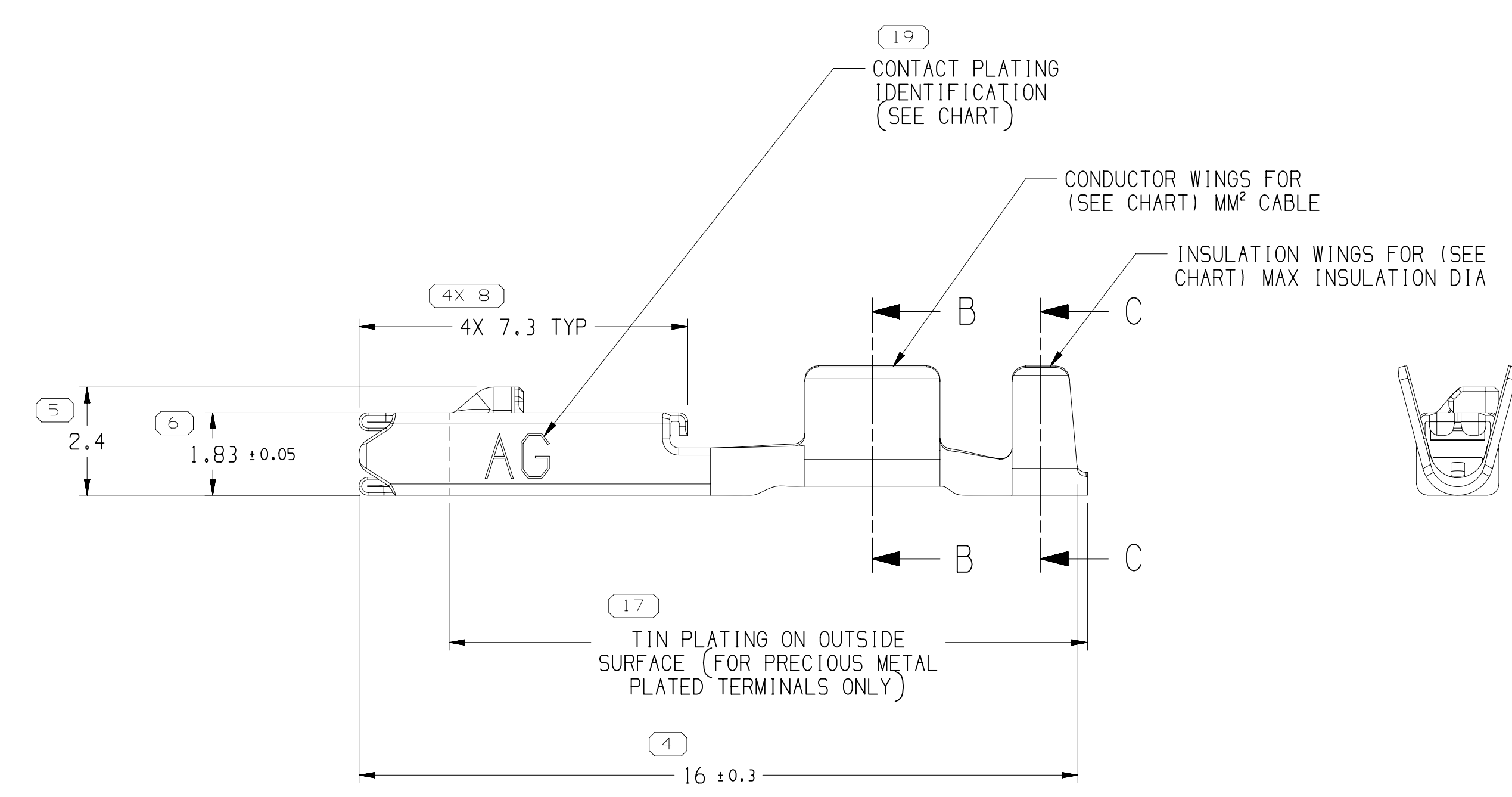
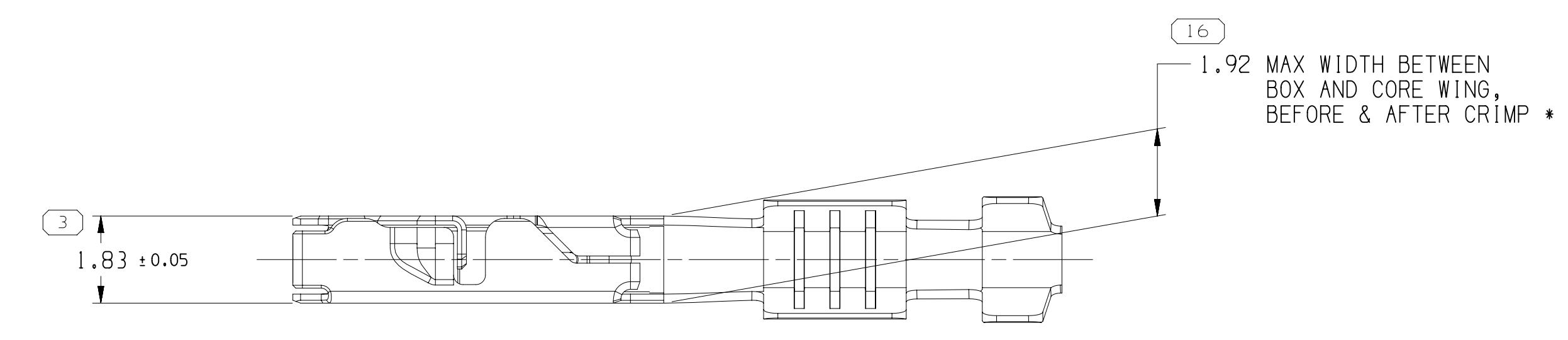
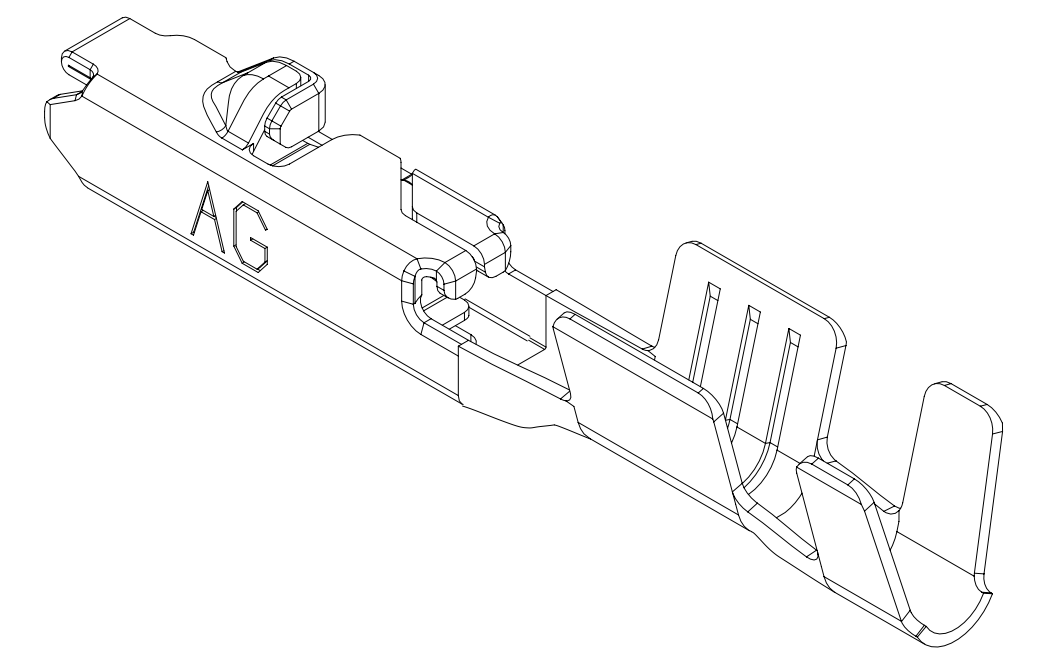
MISSING SYMBOLS		REVISION HISTORY		AUTH	DR	APVD	APVD
DATE	STG	REV	N/P	CHG	ZONE		
28FE19	R	01	-	-			
26AP19	R	02	-	-			
17.N19	R	03	-	-			
29N019	R	04	-	-			
06AU20	R	05	-	-			
29.N21	R	06	-	-			



RECOMMENDED MATING BLADE CONFIGURATION
SCALE 10:1



TERMINAL, CABLE CRIMP ALIGNMENT & POSITION



- NOTES
- UNLESS OTHERWISE SPECIFIED AND/OR INDICATED:
DIMENSIONS ARE TO FACE OF VIEW SHOWN AND AUTOMATICALLY ROUNDED BY COMPUTER FOR INSPECTION (SEE MATH MODEL FOR PRECISE DIMENSIONS). FOR ALL OTHER DIMENSIONS NOT SHOWN BUT REQUIRED FOR TOOL BUILD, SEE MATH MODEL FOR PRECISE TOOL PATH DATA.
 - RECOMMENDED MATING BLADE THICKNESS 0.6 ± 0.03 MM OR 0.64 ± 0.03 MM
RECOMMENDED MATING BLADE WIDTH NOT TO EXCEED 1.2 MM AND NO LESS THAN 0.61 MM.
 - MAXIMUM CURRENT CAPACITY IS 10 AMPS WITH 0.8 MM² COPPER CABLE.
 - CRIMP DIMENSION FROM THE BACK OF THE CORE WING INCLUDES THE FLARE OUT FROM THE CORE WING TO THE END OF THE INSULATION WING.
2.05 MM MAX WIDTH, 2.1 MM MAX HEIGHT FOR CABLE SIZE UP TO 1.9 MM O.D.
2.35 MM MAX WIDTH, 2.40 MM MAX HEIGHT FOR CABLE SIZE BETWEEN 1.86 TO 2.25 MM O.D.
2.67 MM MAX WIDTH, 2.67 MM MAX HEIGHT FOR CABLE SIZE BETWEEN 2.25 TO 2.40 MM O.D.
 - + DENOTES DIMENSIONS MADE AT CUT-OFF & CRIMP DIE.
 - PLUS ANGLE IS WING BOTTOM SURFACE ROTATED COUNTERCLOCKWISE AGAINST THE BOX BOTTOM SURFACE.

PART NO	REV	N/P	MAT'L SIZE	MAT'L SPEC	CONTACT PLATING	CONTACT PLATING I.D.	SIZE (MM²)	ID	DIA	B ₁ ±0.2	B ₂ ±0.3	(H ₁)	(H ₂)	T MAX
35410017	01	AB	0.19 X 26.78	SILVER PLATED COPPER ALLOY	SILVER	AG	0.35	22	1.2 - 1.7	1.8	2.4	1.75	2.4	1.4
35072398	01	AB	0.19 X 26.78	SILVER PLATED COPPER ALLOY	SILVER	AG	0.8-1.0	17	1.86 - 2.4	2.5	2.8	2.7	2.8	1.6
35072397	01	AB	0.19 X 26.78	SILVER PLATED COPPER ALLOY	SILVER	AG	0.75-0.8	18	1.7 - 1.9	2.5	2.5	2.7	2.5	1.5
35072396	01	AC	0.19 X 26.78	SILVER PLATED COPPER ALLOY	SILVER	AG	0.5	21	1.4 - 1.9	2	2.4	2.1	2.4	1.4

FROM	TO	TOLERANCE UNLESS OTHERWISE SPECIFIED	ANGULAR TOLERANCE
0	12	±0.1	±2°
12	21	±0.2	
21	22	±0.2	

APTIV
CONNECTION SYSTEMS
WARREN, OH
COPYRIGHT 2019 APTIV. ALL RIGHTS RESERVED.
THIS DRAWING IS THE PROPERTY OF APTIV AND CONTAINS APTIV CONFIDENTIAL INFORMATION. THE REPRODUCTION, DISTRIBUTION AND UTILIZATION OF THIS DOCUMENT OR ITS RELATED CAD DATA, AS WELL AS COMMUNICATION OF ANY CONTENT TO OTHERS, WITHOUT EXPRESS AUTHORIZATION, IS PROHIBITED.

WARREN, OH
DATE: 28FE19
DR: LUIS VILLARREAL
APVD1: ROBERT B SNADER
APVD2: ROBERT B SNADER
APVD3: ROBERT B SNADER
APVD4:
APVD5:
SUBSTANCES OF CONCERN AND RECYCLED CONTENT PER APTIV 10949001

DRAWING NAME: TAXI TERM F OCS 1.2
DRAWING NUMBER: 13543112
SIZE: A0
SCALE: 10:1
FRAME NO: 1 OF 1
SHEET NO: 10 OF 11
STG: R
REV: 06

Sheet: 025447
Date: 28-Feb-2019 10:54:30 AM
User: luis.villarreal@aptiv.com

Mouser Electronics

Authorized Distributor

Click to View Pricing, Inventory, Delivery & Lifecycle Information:

[Aptiv:](#)

[35072398](#)