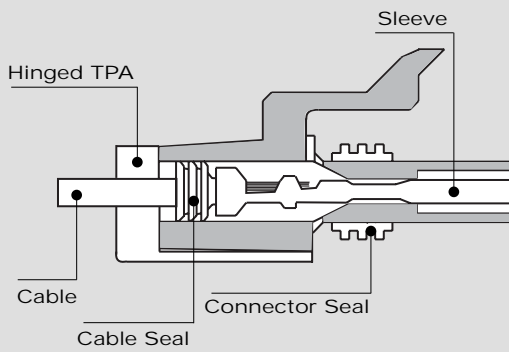


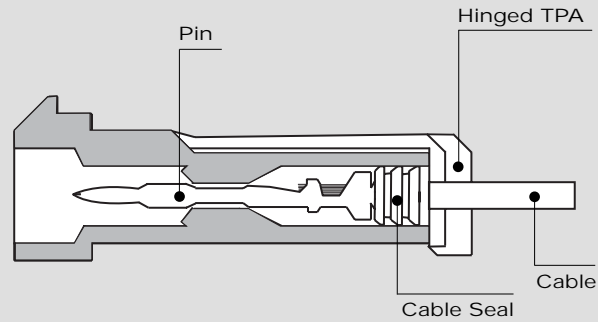


# Weather-Pack

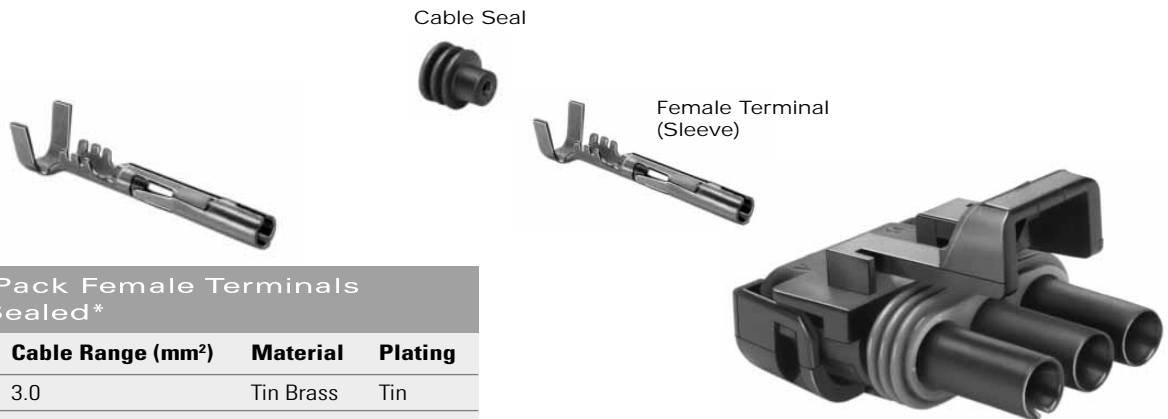
## Cross Sectional View



**Female Connector Assembly**



**Male Connector**



**Female Connector Assembly**

### Weather-Pack Female Terminals (Sleeve) Sealed\*

| Sleeve Part # | Cable Range (mm <sup>2</sup> ) | Material  | Plating |
|---------------|--------------------------------|-----------|---------|
| 12124581      | 3.0                            | Tin Brass | Tin     |
| 12124580      | 2.0-1.0                        | Tin Brass | Tin     |
| 12089188      | 0.80-0.50                      | Tin Brass | Tin     |
| 12020801      | 0.35                           | Tin Brass | Tin     |

\* Use of the Weather-Pack 6060 gauge as a process control aid is recommended for Weather-Pack terminals. See page 10.5 in the Application Tooling section for details.



### Weather-Pack Cable Seals

| Reel Part # | Loose Part # | Cable Dia. | Material | Color  |
|-------------|--------------|------------|----------|--------|
| 12015360    | 15324981     | 4.30-3.45  | Silicone | Blue   |
| 12015359    | 15324980     | 3.49-2.81  | Silicone | Gray   |
| 12015284    | 15324982     | 2.85-2.03  | Silicone | Green  |
| 12041352    | 15324984     | 2.42-2.03  | Silicone | Tan    |
| 12089444    | 15324985     | 2.15-1.60  | Silicone | Purple |
| 12034365    | 15324983     | 1.70-1.29  | Silicone | Dk.Red |

### Weather-Pack Female Connector Assemblies Sealed

| # Cavities | Connector Assembly | Color | Material   |
|------------|--------------------|-------|------------|
| 1          | 12015791           | Black | PA6        |
| 2          | 12015792           | Black | PA66 HS IM |
| 3          | 12020829           | Black | PA66 HS IM |
| 4          | 12015798           | Black | PA6        |
| 4          | 12020832           | Black | PA66 HS IM |
| 6          | 12020926           | Black | PA66 HS IM |
| 22         | 15492531           | Black | PA6        |

**NOTE:** Specifications in this catalog are for general reference only and are subject to change without notice. To verify product information, please contact a Delphi representative.

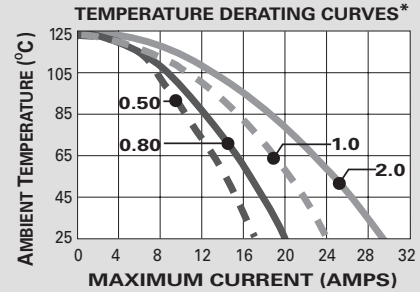
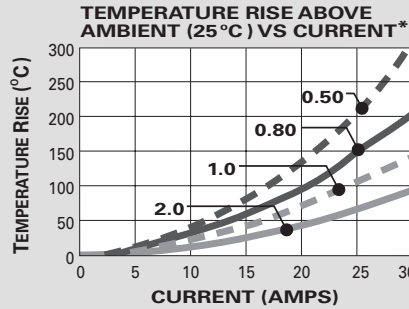


# Weather-Pack

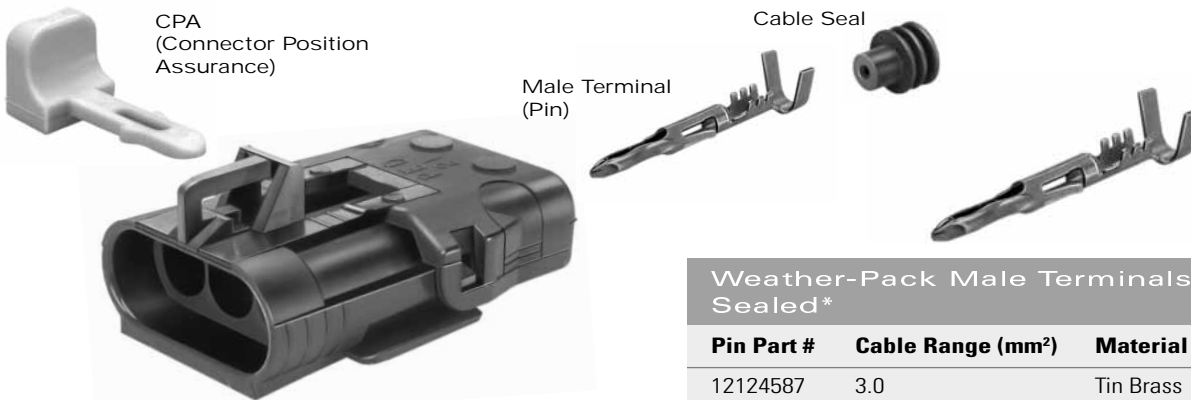
## Sealed System Application Information

### Weather-Pack Terminals – Tin Plated

CABLE RANGE (mm<sup>2</sup>): ..... 0.35-3.0  
 CURRENT RANGE (AMPS): ..... 0-20  
 TEMP RANGE °C: ..... -40 to 125  
 RESISTANCE: ..... <10m @20mV  
 VOLTAGE DROP: ..... <3.0mV/amp  
 CENTERLINE SPACING (mm): ..... 7.7  
 BLADE WIDTH (mm): ... Pin and Sleeve



\*The test data are based on single circuits in free space and were generated using a "Lumped Resistance" model. This model does not account for all of the variables that would be present in an actual application. For actual product performance, contact your regional support representative.



| Weather-Pack Male Terminals (Pin) Sealed* |                                |           |         |
|---|--------------------------------|-----------|---------|
| Pin Part #                                | Cable Range (mm <sup>2</sup> ) | Material  | Plating |
| 12124587                                  | 3.0                            | Tin Brass | Tin     |
| 12124582                                  | 2.0-1.0                        | Tin Brass | Tin     |
| 12089040                                  | 0.80-0.50                      | Tin Brass | Tin     |
| 12089307                                  | 0.35-0.22                      | Tin Brass | Tin     |

\* Use of the Weather-Pack 6060 gauge as a process control aid is recommended for Weather-Pack terminals. See page 10.5 in the Application Tooling section for details.

| Weather-Pack Male Connectors Sealed |           |       |            |
|-------------------------------------|-----------|-------|------------|
| # Cavities                          | Connector | Color | Material   |
| 1                                   | 12010996  | Black | PA66 HS IM |
| 2                                   | 12010973  | Black | PA6        |
| 3                                   | 12020827  | Cream | PA66 HS IM |
| 4                                   | 12015024  | Black | PA6        |
| 4                                   | 12020830  | Black | PA66 HS IM |
| 6                                   | 12020786  | Black | PA66 HS IM |
| 22                                  | 15492521  | Black | PA66 HS IM |



| Weather-Pack Cavity Plug* |                    |          |       |
|---------------------------|--------------------|----------|-------|
| Part #                    | Cavity Inside Dia. | Material | Color |
| 12010300                  | 6.7mm              | Silicone | Green |

\* Cavity plugs seal unused female and male cavities.

#### SECTION NOTES:

- Due to rigid tolerances of connector cavities, it is critical to meet all crimp dimensions as specified.
- Different color and connector indexing features are also available.

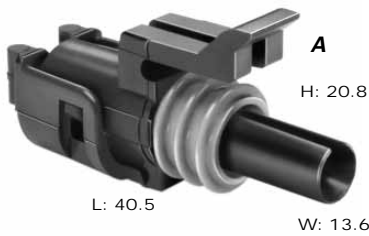
NOTE: Specifications in this catalog are for general reference only and are subject to change without notice. To verify product information, please contact a Delphi representative.



# Weather-Pack

An environmentally sealed connection system that utilizes triple-rib peripheral silicone rubber seals and individual towers to provide terminal isolation for

connector alignment. Weather-Pack sealed systems are ideally suited for critical applications that require protection from environmental hazards.

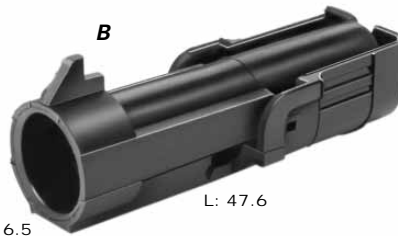


L: 40.5

**A**

H: 20.8

W: 13.6



L: 47.6

**B**

H: 17.3

W: 16.5

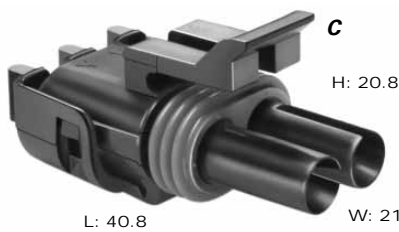
Total Mated Length: 64.5mm

**A. Part No: 12015791**

|              |                       |
|--------------|-----------------------|
| Description: | Connector Assembly 1F |
| Size:        | 40.5L x 20.8H x 13.6W |
| Color:       | Black                 |
| Material:    | PA6                   |
| Terminals:   | See Page 6.16         |
| Seals/Plugs: | See Page 6.16, 6.17   |

**B. Part No: 12010996**

|              |                       |
|--------------|-----------------------|
| Description: | Connector 1M          |
| Size:        | 47.6L x 17.3H x 16.5W |
| Color:       | Black                 |
| Material:    | PA66 HS IM            |
| Terminals:   | See Page 6.17         |
| Seals/Plugs: | See Page 6.16, 6.17   |

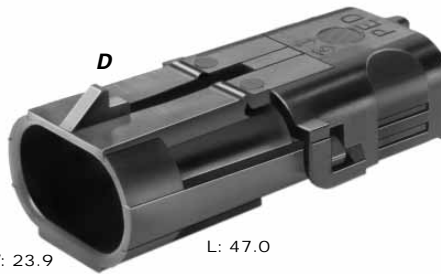


L: 40.8

**C**

H: 20.8

W: 21.5



L: 47.0

**D**

H: 17.5

W: 23.9

Total Mated Length: 68.3mm

**C. Part No: 12015792 (Black)**  
PA66 HS IM  
**12103784 (Lt. Gray)**  
PA6

|              |                       |
|--------------|-----------------------|
| Description: | Connector Assembly 2F |
| Size:        | 40.8L x 20.8H x 21.5W |
| Terminals:   | See Page 6.16         |
| Seals/Plugs: | See Page 6.16, 6.17   |

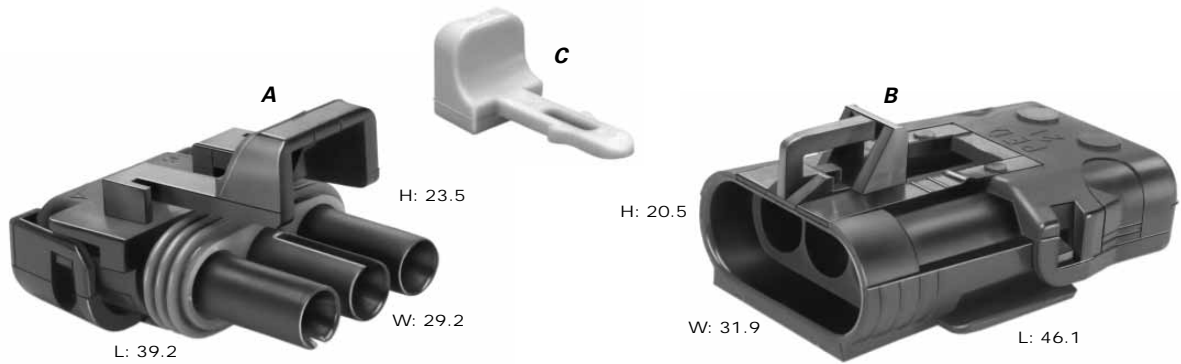
**D. Part No: 12010973 (Black)**  
PA6  
**12034074 (Md. Gray)**  
PA66 HS IM

|              |                          |
|--------------|--------------------------|
| Description: | Connector 2M (Clip Slot) |
| Size:        | 47.0L x 17.5H x 23.9W    |
| Terminals:   | See Page 6.17            |
| Seals/Plugs: | See Page 6.16, 6.17      |

**NOTE:** Specifications in this catalog are for general reference only and are subject to change without notice. To verify product information, please contact a Delphi representative.



# Weather-Pack



Total Mated Length: 65.8mm

**A. Part No: 12020829**

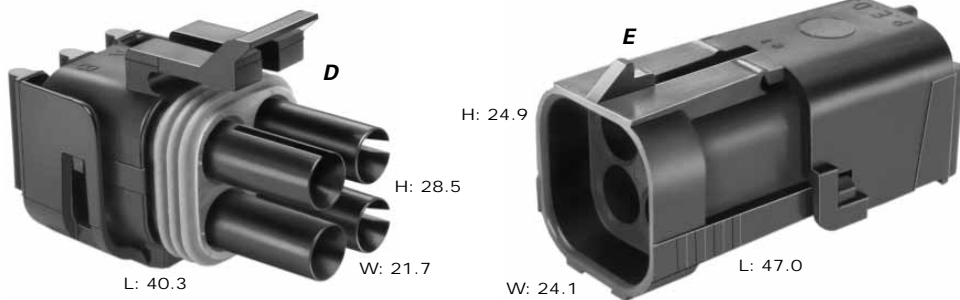
|              |                       |
|--------------|-----------------------|
| Description: | Connector Assembly 3F |
| Size:        | 39.2L x 23.5H x 29.2W |
| Color:       | Black                 |
| Material:    | PA66 HS IM            |
| Terminals:   | See Page 6.16         |
| Seals/Plugs: | See Page 6.16, 6.17   |

**B. Part No: 12020827**

|              |                          |
|--------------|--------------------------|
| Description: | Connector 3M (Clip Slot) |
| Size:        | 46.1L x 20.5H x 31.9W    |
| Color:       | Cream                    |
| Material:    | PA66 HS IM               |
| Terminals:   | See Page 6.17            |
| Seals/Plugs: | See Page 6.16, 6.17      |

**C. Part No: 12020833**

|              |      |
|--------------|------|
| Description: | CPA  |
| Color:       | Gray |
| Material:    | PBT  |



Total Mated Length: 68.3mm

**D. Part No: 12015798**

|              |                       |
|--------------|-----------------------|
| Description: | Connector Assembly 4F |
| Size:        | 40.3L x 28.5H x 21.7W |
| Color:       | Black                 |
| Material:    | PA6                   |
| Terminals:   | See Page 6.16         |
| Seals/Plugs: | See Page 6.16, 6.17   |

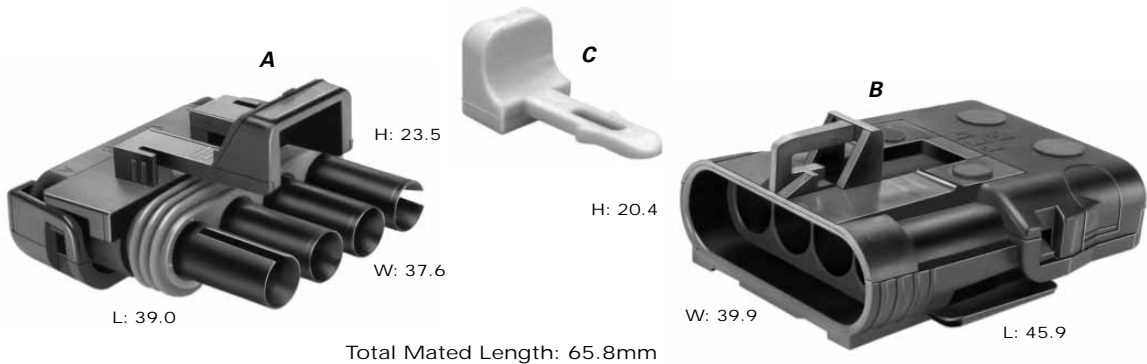
**E. Part No: 12015024**

|              |                          |
|--------------|--------------------------|
| Description: | Connector 4M (Clip Slot) |
| Size:        | 47.0L x 24.9H x 24.1W    |
| Color:       | Black                    |
| Material:    | PA6                      |
| Terminals:   | See Page 6.17            |
| Seals/Plugs: | See Page 6.16, 6.17      |

**NOTE:** Specifications in this catalog are for general reference only and are subject to change without notice. To verify product information, please contact a Delphi representative.



# Weather-Pack



**A. Part No: 12020832**

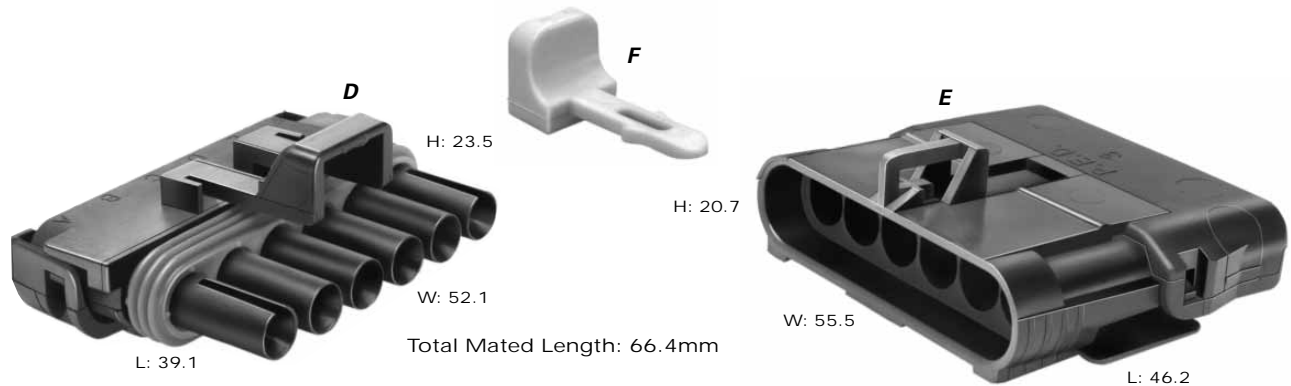
|              |                       |
|--------------|-----------------------|
| Description: | Connector Assembly 4F |
| Size:        | 39.0L x 23.5H x 37.6W |
| Color:       | Black                 |
| Material:    | PA66 HS IM            |
| Terminals:   | See Page 6.16         |
| Seals/Plugs: | See Page 6.16, 6.17   |

**B. Part No: 12020830**

|              |                          |
|--------------|--------------------------|
| Description: | Connector 4M (Clip Slot) |
| Size:        | 45.9L x 20.4H x 39.9W    |
| Color:       | Black                    |
| Material:    | PA66 HS IM               |
| Terminals:   | See Page 6.17            |
| Seals/Plugs: | See Page 6.16, 6.17      |

**C. Part No: 12020833**

|              |      |
|--------------|------|
| Description: | CPA  |
| Color:       | Gray |
| Material:    | PBT  |



**D. Part No: 12020926**

|              |                       |
|--------------|-----------------------|
| Description: | Connector Assembly 6F |
| Size:        | 39.1L x 23.5H x 52.1W |
| Color:       | Black                 |
| Material:    | PA66 HS IM            |
| Terminals:   | See Page 6.16         |
| Seals/Plugs: | See Page 6.16, 6.17   |

**E. Part No: 12020786**

|              |                          |
|--------------|--------------------------|
| Description: | Connector 6M (Clip Slot) |
| Size:        | 46.2L x 20.7H x 55.5W    |
| Color:       | Black                    |
| Material:    | PA66 HS IM               |
| Terminals:   | See Page 6.17            |
| Seals/Plugs: | See Page 6.16, 6.17      |

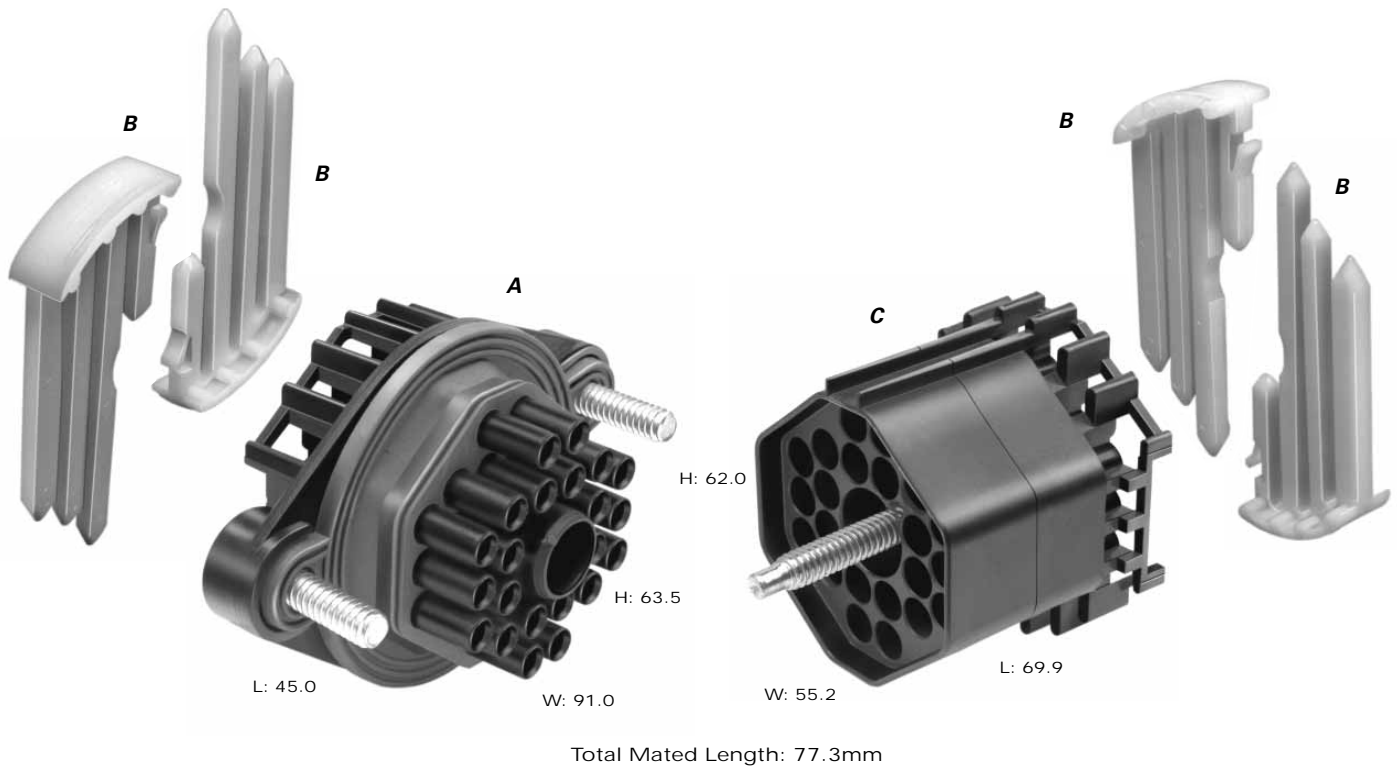
**F. Part No: 12020833**

|              |      |
|--------------|------|
| Description: | CPA  |
| Color:       | Gray |
| Material:    | PBT  |

**NOTE:** Specifications in this catalog are for general reference only and are subject to change without notice. To verify product information, please contact a Delphi representative.



# Weather-Pack



**A. Part No: 15492531**

|              |                        |
|--------------|------------------------|
| Description: | Connector Assembly 22F |
| Size:        | 45.0L x 63.5H x 91.0W  |
| Color:       | Black                  |
| Material:    | PA6                    |
| Terminals:   | See Page 6.16          |
| Seals/Plugs: | See Page 6.16, 6.17    |
| Application: | Pass-Through           |

**B. Part No: 12010852**

|              |                |
|--------------|----------------|
| Description: | Secondary Lock |
| Number Req:  | 4              |
| Color:       | Natural        |
| Material:    | PA6            |

**C. Part No: 15492521**

|              |                        |
|--------------|------------------------|
| Description: | Connector Assembly 22M |
| Size:        | 69.9L x 62.0H x 55.2W  |
| Color:       | Black                  |
| Material:    | PA66 HS IM             |
| Terminals:   | See Page 6.17          |
| Seals/Plugs: | See Page 6.16, 6.17    |
| Application: | Pass-Through           |

**NOTE:** Specifications in this catalog are for general reference only and are subject to change without notice. To verify product information, please contact a Delphi representative.