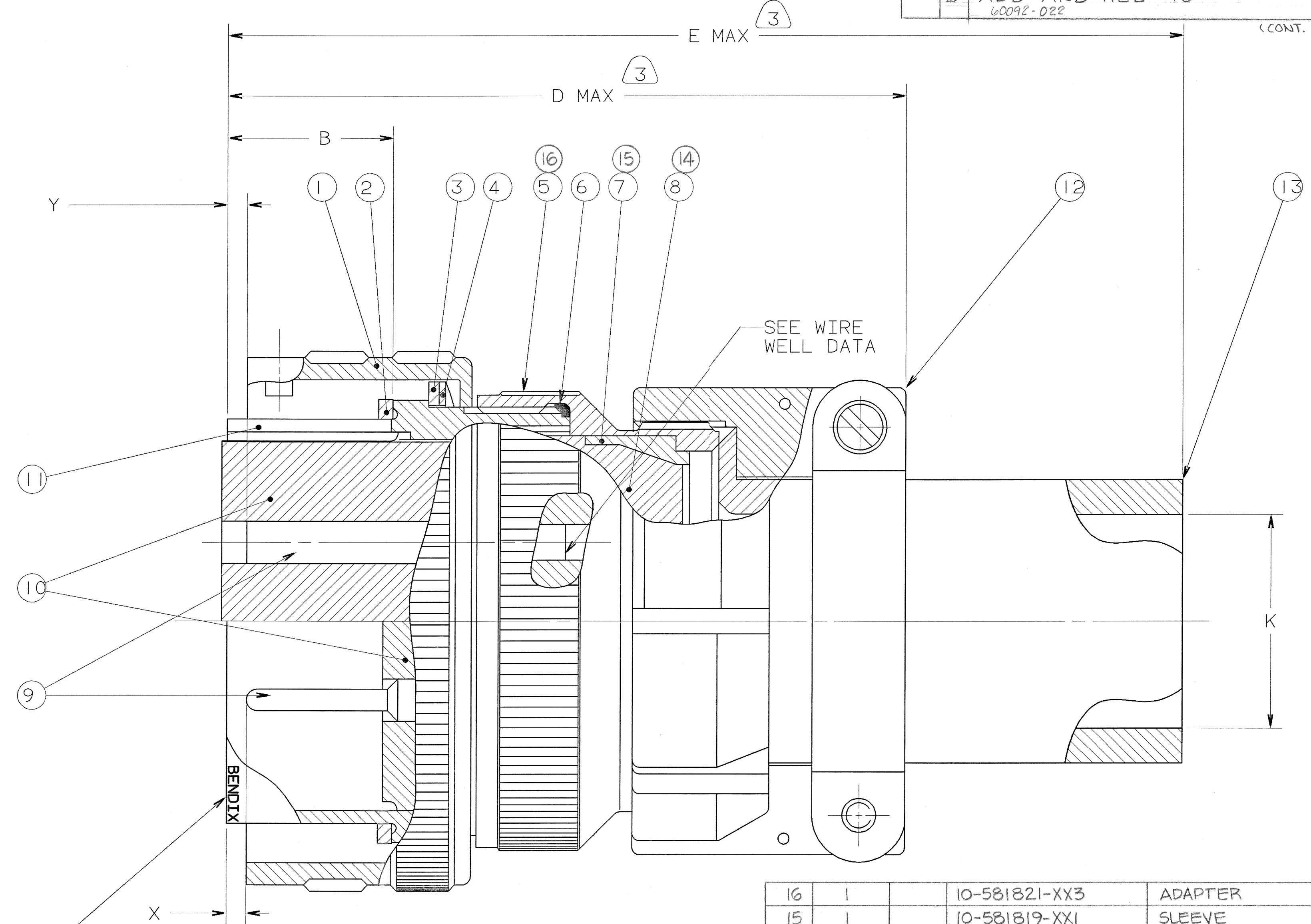
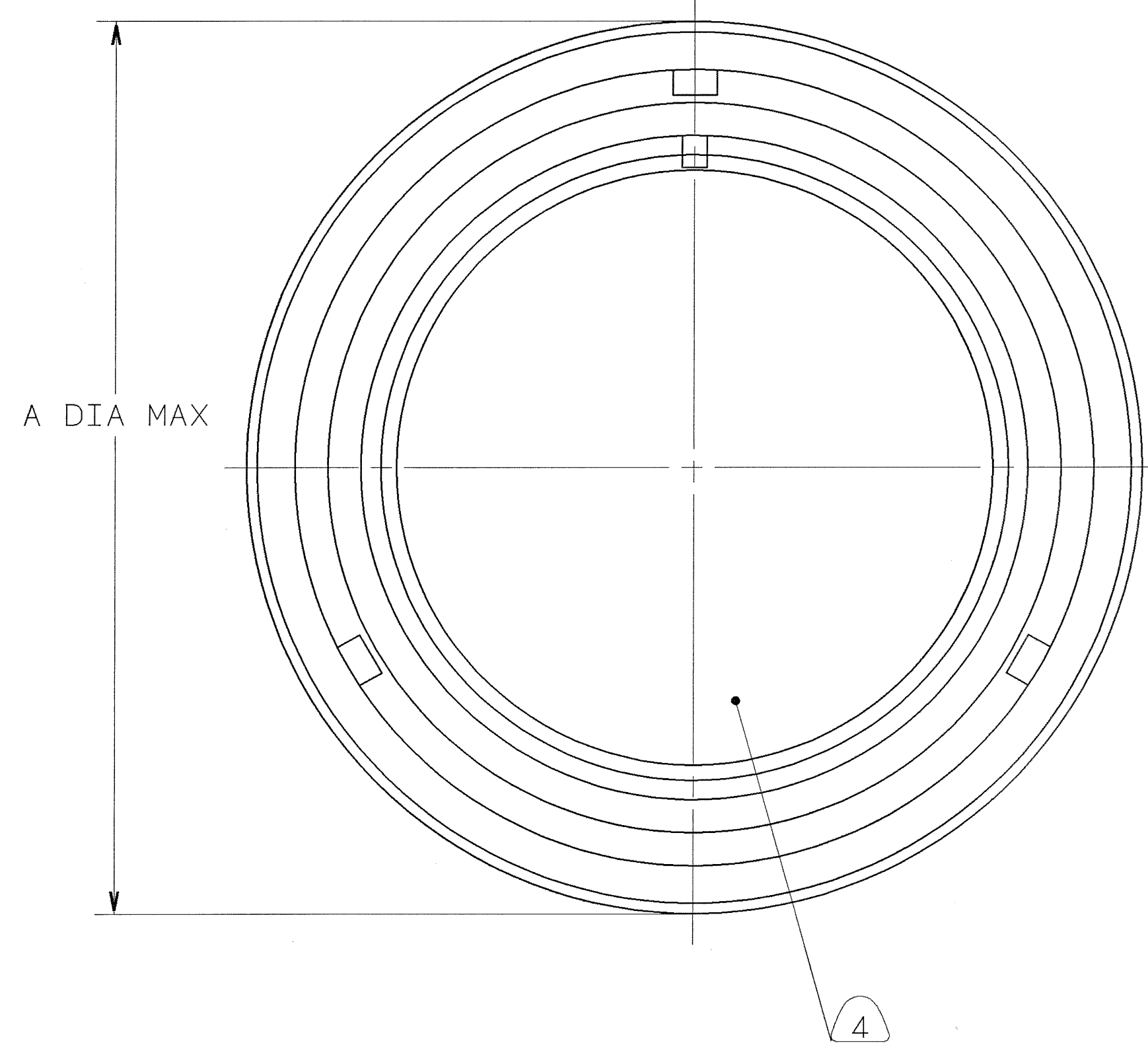


| CONTACT SIZE | SHELL SIZE | X | Y |
|--------------|----------------|--------------------------------|------|
| 16 SHORT | 10SL, 14S, 16S | .087±.039 | .079 |
| 16 LONG | 16 THRU 40 | .260 ⁺ .052 .041 | .102 |
| 12 | 16 THRU 40 | .118 ⁺ .039 .056 | .102 |
| 4,8,0 | 16 THRU 40 | .091±.039 | .102 |



BLACK INK STAMP PER 9-3856-5 "BENDIX", GT NUMBER (SEE COLUMN) & DATE CODE (9-3895) CHARACTERS TO BE .062-.094 HIGH.
EXAMPLE:
BENDIX GTC06F22-15P 8947

| ZONE | | REVISIONS | | DATE | APPROVED |
|------|-----|--|--|---------------------|----------|
| A | LTR | DESCRIPTION | | | |
| | | INITIAL RELEASE NUMBER RLSE: 70091-025 | | | |
| B | | (CLII) WAS -2 (SLEEVE SIZE 22:-12) ECN: 260602 | | 11/1/92 Prescott | Prescott |
| C | | (CLII) SEE CHG NOTICE ECN: 26803 | | 1/24/92 Prescott | Prescott |
| D | | ADD AND REL - 40 60092-022 | | 6-11-92 SNYDER | SNYDER |

| | | | | | | |
|----|-------------|--|---------------|---------------------|---------|--|
| 16 | 1 | | 10-581821-XX3 | ADAPTER | 13 | |
| 15 | 1 | | 10-581819-XX1 | SLEEVE | 13 | |
| 14 | 1 | | SEE COLUMN | GROMMET | 12,13 | |
| 13 | 1 | | SEE COLUMN | SLEEVE | | |
| 12 | 1 | | SEE COLUMN | CABLE CLAMP | | |
| 11 | 1 | | SEE COLUMN | SHELL | | |
| 10 | 1 | | 10-748XX-XXX | INSERT | | |
| 9 | SEE NOTE 10 | | | | CONTACT | |
| 8 | 1 | | 10-607XX-XX | GROMMET | 14 | |
| 7 | 1 | | 10-564869-XX | SLEEVE, COMPRESSION | 14 | |
| 6 | 1 | | 10-101379-XX1 | GASKET | 9 | |
| 5 | 1 | | 10-564867-XX3 | ADAPTER | 3,14 | |
| 4 | 1 | | 10-564859-XX | WAVED, WASHER | | |
| 3 | 1 | | 10-564860-XX | WASHER, SKID | | |
| 2 | 1 | | 10-564843-XX1 | GASKET | | |
| 1 | 1 | | 10-564856-XX3 | COUPLING NUT | | |

SEE SHEET 2.
NOTES:

THE USE OF THIS DOCUMENT IS UNLIMITED. HOWEVER, DOCUMENTS REFERENCED HEREON MAY CONTAIN LIMITED RIGHTS DATA.

COMPANY ID: 2
CODED/MS/CUST: Y
INTERNAL: N
LOTNO: N
DATE CODE: 9-3895
SEE PRINT: N

UNLESS OTHERWISE SPECIFIED
LINEAR DIMENSIONS ARE IN INCHES.
TOLERANCES: .XXX±.010,
.XX ±.03, .X ±.1, ANGLES ±2°.
OTHER STANDARDS PER 9-3800
AND DOD-D-1000. NOTE REF = (XX)

| FIND NO. | QTY REQD. | FSCM NO. | PART NUMBER | DESCRIPTION | NOTE REF. |
|----------------|-----------|---------------|-------------|---|-----------|
| SPECIFICATIONS | | | | | |
| MATERIAL SPEC. | | SIGNATURES | | DATES | |
| N/A | | MCELLIGOTT | | 08/29/90 | |
| PROCESS SPEC. | | APPROVED | | APPHENOL CORPORATION BENDIX CONNECTOR OPERATIONS SIDNEY, N.Y. | |
| SEE NOTE 5 | | MATERIAL | | CONNECTOR, ELECTRICAL, PLUG, REVERSE BAYONET COUPLING, TYPE GTC06F(-) | |
| | | APPROVED | | SIZE | |
| | | MATERIAL | | D 77820 | |
| | | 1ST PART NO. | | FSCM NO. | |
| | | 71-580512-04S | | 71-580510/529 | |
| | | | | SCALE | |
| | | | | NONE | |
| | | | | REF | |
| | | | | 71-580570/589 | |
| | | | | SHEET 1 OF 2 | |

| ASSEMBLY NUMBER | SHELL SIZE | GT NUMBER | SHELL | CABLE CLAMP | SLEEVE | A DIA MAX | B ±.005 | D MAX | E MAX | K DIA MIN | GROMMET PART NUMBER |
|-----------------|------------|---------------|---------------|--------------|--------------|-----------|---------|-------|-------|-----------|---------------------|
| 71-580510-() | 8S | NOT AVAILABLE | | | | | | | | | |
| 71-580511-() | 10S | NOT AVAILABLE | | | | | | | | | |
| 71-580512-() | 10SL | GTC06F10SL-() | 10-580915-113 | 10-824810- 4 | 10-824802- 4 | .897 | .531 | 2.165 | 4.724 | .218 | 10-581825-() |
| 71-580513-() | 12S | NOT AVAILABLE | | | | | | | | | |
| 71-580514-() | 12 | NOT AVAILABLE | | | | | | | | | |
| 71-580515-() | 14S | GTC06F14S-() | 10-37266-14 | 10-824810- 7 | 10-824802- 6 | 1.150 | .531 | 2.362 | 4.724 | .310 | 10-581827-() |
| 71-580516-() | 14 | NOT AVAILABLE | | | | | | | | | |
| 71-580517-() | 16S | GTC06F16S-() | 10-37266-16 | 10-824810- 8 | 10-824802- 8 | 1.260 | .531 | 2.756 | 4.724 | .435 | 10-581829-() |
| 71-580518-() | 16 | GTC06F16-() | 10-37266-17 | 10-824810- 8 | 10-824802- 8 | 1.260 | .719 | 2.756 | 4.921 | .435 | 10-581830-() |
| 71-580519-() | 18 | GTC06F18-() | 10-37266-18 | 10-824810-10 | 10-824802-10 | 1.437 | | 2.953 | 4.921 | .560 | 10-581831-() |
| 71-580520-() | 20 | GTC06F20-() | 10-37266-20 | 10-824810-12 | 10-824802-12 | 1.571 | | 2.953 | 4.921 | .623 | 10-581832-() |
| 71-580521-() | 22 | GTC06F22-() | 10-37266-22 | 10-824810-12 | 10-824802-12 | 1.697 | | 2.953 | 4.921 | .623 | 10-581833-() |
| 71-580522-() | 24 | GTC06F24-() | 10-37266-24 | 10-824810-16 | 10-824802-16 | 1.835 | | 3.543 | 4.921 | .748 | 10-581834-() |
| 71-580523-() | 28 | GTC06F28-() | 10-37266-28 | 10-824810-16 | 10-824802-16 | 2.102 | | 3.543 | 4.921 | .748 | 10-581835-() |
| 71-580524-() | 32 | GTC06F32-() | 10-37266-32 | 10-824810-20 | 10-824802-20 | 2.366 | | 3.543 | 4.921 | .935 | 10-581836-() |
| 71-580525-() | 36 | GTC06F36-() | 10-37266-36 | 10-824810-24 | 10-824802-24 | 2.610 | | 3.937 | 5.315 | 1.248 | 10-581837-() |
| 71-580526-() | 40 | GTC06F40-() | 10-37266-40 | 10-824810-28 | 10-824802-28 | 2.850 | | 4.921 | 5.709 | 1.375 | 10-581838-() |
| 71-580527/529 | | NOT AVAILABLE | | | | | | | | | |

TO COMPLETE, ADD APPLICABLE INSERT ARRANGEMENT SUFFIX PER 9-2437

| WIRE WELL DATA | | | | | | |
|----------------|----------------|---------------------|---------------------|---------------------|---------------------|---------------------|
| CONTACT SIZE | 0 | 4 | 8 | 12 | 16 | 16M |
| WELL DIA | .453±.005 | .281 ±.005 -.004 | .179 ±.004 -.002 | .098 ±.004 -.000 | .063 ±.004 -.000 | .063 ±.004 -.000 |
| WELL DEPTH | +.031 -.000 | .592 | .500 | .500 | .250 | .250 |

7. FOR MATING CONNECTOR ASSEMBLIES, SEE 71-580960/979 & OTHERS.
 6. SEE WORK ORDER FOR PERMISSIBLE ADDITIONAL OR ALTERNATE STAMPING.
 5. PROCESS SPEC:
ASSY 9-9238
TEST 9-3106-18
9-3856-5,9-3895,9-2437,9-1936
 4. INSERT ARE NOT REMOVABLE.
 3. DRAWING ILLUSTRATES FINAL ASSEMBLY. FOR STORAGE & SHIPPING, ADAPTER & SLEEVE MUST BE LOOSELY COUPLED.
 2. FOR CONTACT SIZE, SPACING & SERVICE RATING, SEE MIL-STD-1651 OR L-11908-()/L-11948-().
 1. UNITS MEET THE APPLICABLE REQUIREMENTS OF MIL-C-5015.
14. INDICATED ITEMS (F/NS 5,7, & 8) ARE APPLICABLE TO CONNECTORS CONTAINING CONTACT ARRANGEMENTS OTHER THAN THOSE SPECIFIED IN NOTE 13.
 13. INDICATED ITEMS F/NS 14, 15 & 16 ARE APPLICABLE TO CONNECTORS CONTAINING CONTACT ARRANGEMENTS WITH SIZES 4 & 8.
 12. TO COMPLETE INDICATED GROMMET PART NO., ADD APPLICABLE ARRANGEMENT SUFFIX.
 11. PACKAGE PER PRODUCTION PROCESS SHEET.
 10. SEE SEPARATE PARTS LIST FOR COMPONENT PART NUMBERS AND QUANTITIES.
 9. APPLY A LIGHT FILM OF LUBRICANT 9-1936 TO GASKET.
 8. FOR FINAL INSTALLATION, ALL UNUSED GROMMET HOLES MUST BE FILLED WITH THE APPROPRIATE SIZE SEALING PLUG.

NOTES:

THE USE OF THIS DOCUMENT IS UNLIMITED. HOWEVER, DOCUMENTS REFERENCED HEREON MAY CONTAIN LIMITED RIGHTS DATA.

| | | |
|-------|----------|---------|
| SIZE | FSCM NO. | REV |
| D | 77820 | F |
| SCALE | WT | REF |
| | | SHEET 2 |

COMPUTER GENERATED DRAWING

71-580510/529

A

TAB.

Mouser Electronics

Authorized Distributor

Click to View Pricing, Inventory, Delivery & Lifecycle Information:

Amphenol:

[GTC06F36-5S\(RDS\)\(025\)](#) [GTC06F20-19S\(RDS\)\(025\)](#) [GTC06F22-7S\(RDS\)\(025\)](#) [GTC06F22-1S\(RDS\)\(025\)](#)
[GTC06F28-6S\(RDS\)\(025\)](#) [GTC06F36-4S\(RDS\)\(025\)](#) [GTC06F32-17S\(RDS\)\(025\)](#) [GTC06F22-22P\(025\)](#) [GTC06F24-10S\(025\)RDS](#) [GTC06F22-7S\(RDS\)](#) [GTC06F22-22S\(RDS\)](#) [GTC06F24-22S\(RDS\)](#) [GTC06F28-6S\(RDS\)](#) [GTC06F28-AYS\(RDS\)](#) [GTC06F32-15S\(RDS\)](#) [GTC06F32-17S\(RDS\)](#) [GTC06F36-5S\(RDS\)](#) [GTC06F36-77S\(RDS\)](#) [GTC06F24-9S\(RDS\)\(025\)](#) [GTC06F18-7S\(RDS\)\(025\)](#) [GTC06F22-22S\(RDS\)\(025\)](#) [GTC06F32-5S\(RDS\)\(025\)](#) [GTC06F-18-19P](#) [GTC06F-24-6S](#) [GTC06F32-64S](#) [GTC06F2024P](#) [GTC06F245PLC](#) [GTC06F-18-10S](#) [GTC06F321P027](#) [GTC06F2218P](#) [GTC06F-32-17P](#) [GTC06F-22-23P](#) [GTC06F2223P025](#) [GTC06F-20-24P\(023\)](#) [GTC06F363P](#) [GTC06F14S-7S](#) [GTC06F18-1P-A24](#) [GTC06F2822S](#) [GTC06F283S](#) [GTC06F-20-23S](#) [GTC06F2014S](#) [GTC06F18-12S-A24](#) [GTC06F14S-1P](#) [GTC06F28-11S](#) [GTC06F28-9P](#) [GTC06F18-11S](#) [GTC06F-14S-6S](#) [GTC06F14S-5S](#) [GTC06F22-19S](#) [GTC06F24-10P](#) [GTC06F24-28P](#) [GTC06F2022P](#) [GTC06F40-AGP](#) [GTC06F3615S](#) [GTC06F28-AYP](#) [GTC06F14S-7P](#) [GTC06F363S](#) [GTC06F-14S-2S](#) [GTC06F2014P](#) [GTC06F16S1S](#) [GTC06F203P](#) [GTC06F24-28S](#) [GTC06F-20-18P](#) [GTC06F2015S](#) [GTC06F-20-8P](#) [GTC06F-24-9S](#) [GTC06F-16S-1P](#) [GTC06F-24-10S](#) [GTC06F24-67P](#) [GTC06F24-19S](#) [GTC06F40-56P](#) [GTC06F-20-27S](#) [GTC06F18-8S](#) [GTC06F28-15P](#) [GTC06F2029P](#) [GTC06F-20-33S](#) [GTC06F2027P](#) [GTC06F-28-21P](#) [GTC06F24-22S](#) [GTC06F32-5S](#) [GTC06F-14S-2P](#) [GTC06F40-53P](#) [GTC06F-16-10S](#) [GTC06F2412SRDS](#) [GTC06F28-21S](#) [GTC06F203SW](#) [GTC06F18-1P](#) [GTC06F2015P](#) [GTC06F10SL-4S](#) [GTC06F28-21S-LC](#) [GTC06F-22-14S](#) [GTC06F1610P](#) [GTC06F-14S-6P](#) [GTC06F-16S-8P](#) [GTC06F249P](#) [GTC06F28-21S-A24](#) [GTC06F2019S](#) [GTC06F-18-19S](#) [GTC06F-18-10P](#) [GTC06F-22-70P](#)