



C-COM 2G CAN-Communicator



Features

- ◆ 106 X 56 pixel graphic LC display
- ◆ 3-button user interface
- ◆ Dead-fronted LED warning indicator (amber or red)
- ◆ Sealed to IP67 specifications, front and rear
- ◆ 9 to 32-volt operation
- ◆ J1939 (CAN) data bus input
- ◆ Switch-to-ground, 500-mA output
- ◆ Optional analog input
- ◆ Backlit LC display and switches
- ◆ Variable backlight control

Applications

- ◆ Heavy trucks
- ◆ Buses, coaches, and recreational vehicles
- ◆ Forklifts, wheel loaders, and skid steers
- ◆ Cranes, road-building, and construction equipment
- ◆ Earth-moving, and mining vehicles
- ◆ Utility and emergency vehicles
- ◆ Farm and agricultural vehicles
- ◆ Stationary engine instrumentation

AMETEK VIS C-COM 2G CAN-Communicator provides the advantages of a graphic display in a compact, 2-inch gauge form-factor. This rugged and versatile gauge can be used exclusively or as a complement to any existing instrumentation simply by connecting it to an SAE J1939 (CAN) data bus. The gauge can display data and diagnostics, both active and stored, directly from the vehicle data bus as text and/or graphics as specified by the customer.

The backlit liquid crystal (LC) display is 106 pixels wide and 56 pixels high, providing clear, legible graphics; a dead-fronted warning indicator is positioned above the graphic display window. Three backlit switches with tactile feedback provide a user interface. Backlighting can be red, green, blue, amber, or white. The warning indicator can be red or amber.

The gauge is sealed to IP67 specifications both front and rear. The gauge operates from 9 to 32 volts DC and includes a switch-to-ground output that can be used to control an external annunciator, relay, or other device. An optional analog input is available for increased flexibility. Designed to withstand harsh conditions typical of off-road environments, the 2-inch display gauge meets all SAE J1455 and J1113 requirements for vehicular instrumentation.

AMETEK[®]
VEHICULAR INSTRUMENTATION SYSTEMS

287 27 Road, Grand Junction, CO 81503 U.S.A.
Phone: +1 970-242-8863 • Fax: +1 970-245-6267
Web: www.ametekvis.com • E-mail: info.dixson@ametek.com



Specifications

Physical Characteristics

Housing and bezel material – chrome or black polycarbonate ABS plastic

Connector – single Deutsch DT06, polarized and locking

Environmental Characteristics

Temperature, humidity, shock, vibration, and salt spray – meets or exceeds SAE #J1455-1994-08

Electrical Characteristics

Operating limits – 9 to 32 VDC, reverse polarity protected
Transient protection – meets or exceeds SAE #J1455-1994-08

Electrical Inputs

Battery/ignition – 9 to 32 volts

Input current – 500 mA

Backlighting – variable through dashlight dimmer control or fixed

Data bus – SAE J1939 (CAN)

Electrical Outputs

Switch to ground – one, 500 mA

Display Characteristics

Type – positive mode, transfective, LCD dot matrix, FSTN

Aperture size (inches) – 1.21W x 0.64H

Pixel dimensions – 106 pixels wide, 56 pixels high

Viewing angle – 12:00

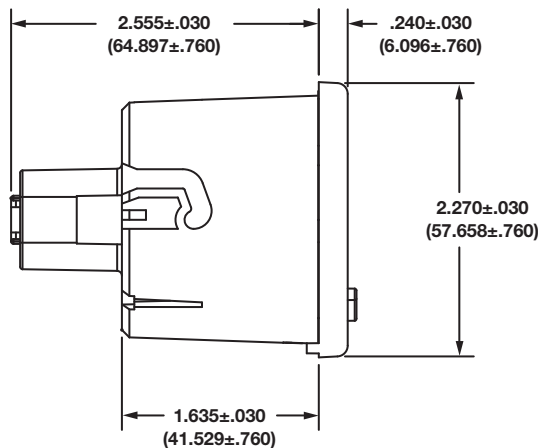
Backlight color – customer-defined

Displays

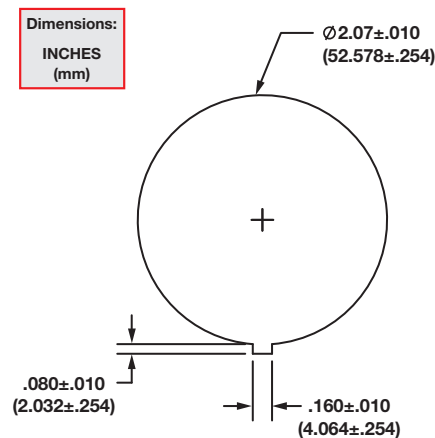
Anything available on the J1939 data bus, either raw or translated to customer specifications.

These may include telltales, meters, diagnostics, symbols, and diagnostic messages.

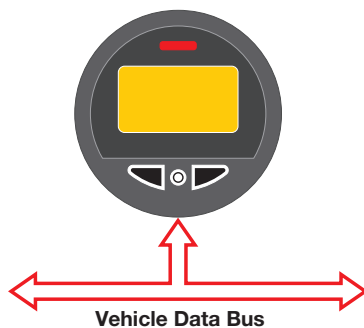
Gauge Dimensions



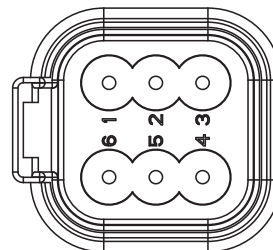
Panel Cut-Out Dimensions



Functional Block Diagram



Electrical Connections



PIN	SIGNAL
1	Battery/Ignition
2	Ground
3	Backlight (optional Analog input)
4	J1939+
5	J1939-
6	Output, switch to ground