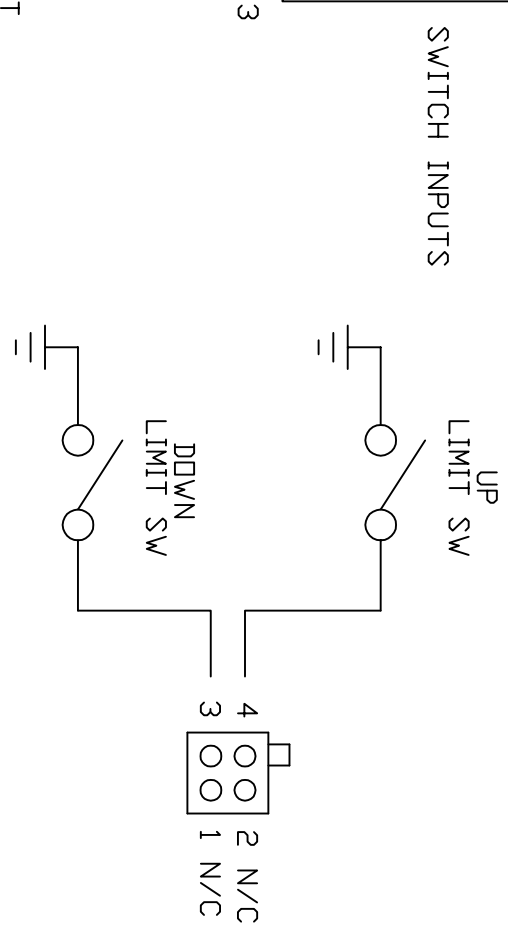
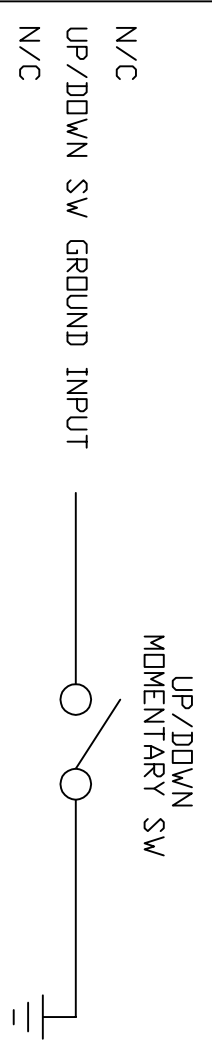
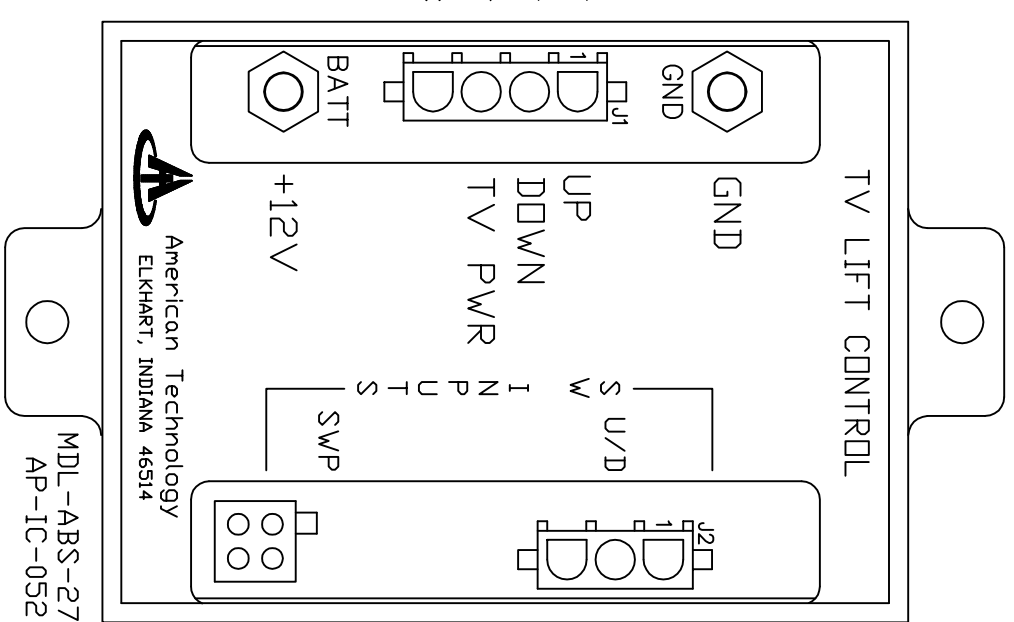
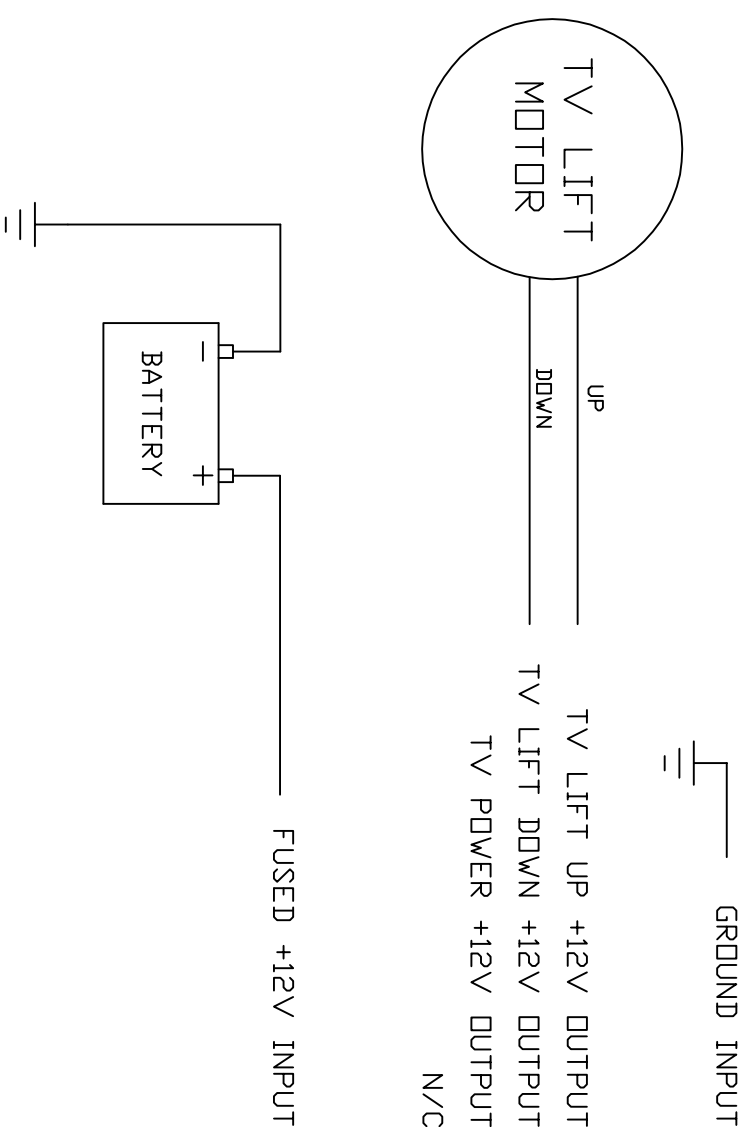


VERTICAL LIFT HOOKUP

AT-CSR-026

PRODUCTION REVISIONS		
REV.	DESCRIPTION	DATE BY



NOTE:
 WHEN THE LIFT UP SW IS PUSHED AND RELEASED THE TV LIFT UP OUTPUT WILL TURN ON TO START RAISING THE LIFT
 THE UP CYCLE WILL STOP IF THE MOTOR DRAWS MORE THEN 6.4 AMPS OR IF GROUND IS APPLIED TO THE UP LIMIT SW INPUT
 WHEN THE LIFT DOWN SW IS PUSHED AND RELEASED THE TV LIFT DOWN OUTPUT WILL TURN ON TO START LOWERING THE LIFT
 THE DOWN CYCLE WILL STOP IF THE MOTOR DRAWS MORE THEN 6.4 AMPS OR IF GROUND IS APPLIED TO THE DOWN LIMIT SW INPUT
 THE UP/DOWN SW INPUT STARTS AN UP CYCLE THE FIRST TIME IT IS PUSHED AND RELEASED, THEN AFTER THE LIFT STOPS THE
 TV POWER OUTPUT IS TURNED ON. THE NEXT TIME THE UP/DOWN SW INPUT IS PUSHED AND RELEASED IT STARTS A DOWN CYCLE
 AND TURNS OFF THE TV POWER OUTPUT. IF ANY OF THE SWITCH INPUTS ARE PUSHED WHILE THE MOTOR IS MOVING IT WILL STOP
 THE MOTOR CYCLE AND LEAVE THE LIFT IN ITS CURRENT POSITION.

UP LIMIT SW GROUND INPUT 4
 DOWN LIMIT SW GROUND INPUT 3
 1 LIFT DOWN SW GROUND INPUT
 2 LIFT UP SW GROUND INPUT

AMP M-N-L MATING CONNECTORS TO BOARD

- 4 PDS PLUG #480702-0 / 12-10 GA SKT #350923-3
- 3 PDS PLUG #480700-0 / 20-14 GA SKT #350536-1
- 4 PDS MINI M-N-L PLUG #1723338-1 / 20-16 GA SKT #171637-1
- BATT & GND LUGS - #10 RING TERMINALS

LIFTCD

QMF 37 Rev 1

CONFIDENTIALITY STATEMENT
 THIS DRAWING IS THE PROPERTY OF AMERICAN TECHNOLOGY COMPONENTS, INC. IT IS
 ONLY TO BE USED IN CONJUNCTION WITH ATC INC. IT SHALL NOT BE COPIED IN ANY
 WAY, DUPLICATED, OR SUBMITTED TO OTHER PARTIES WITHOUT OUR WRITTEN CONSENT.

PROCESS	APPROVALS	INITIAL	DATE	SCALE:	REV:	DATE:	TITLE:
STEP	ENGINEERING			1:1	A	3/13/07	TV LIFT MODULE
1000	MANUFACTURING			UNIT:			W/TV POWER OUTPUT
2000	SALES DEPT			IN	B		
3000	CUSTOMER			DIM TOL:			
7000				.XX ± .02			
9000				.XXX ± .005			
				ANG TOL:			
				X ± .1°			
				X ± .5°			

AMERICAN TECHNOLOGY COMPONENTS, INC.
 2905 LaVenture Place, Elkhart, IN 46514
 PH: (219) 262-1258 FAX: (219) 264-9138

PART NO: AT-CSR-026 VER