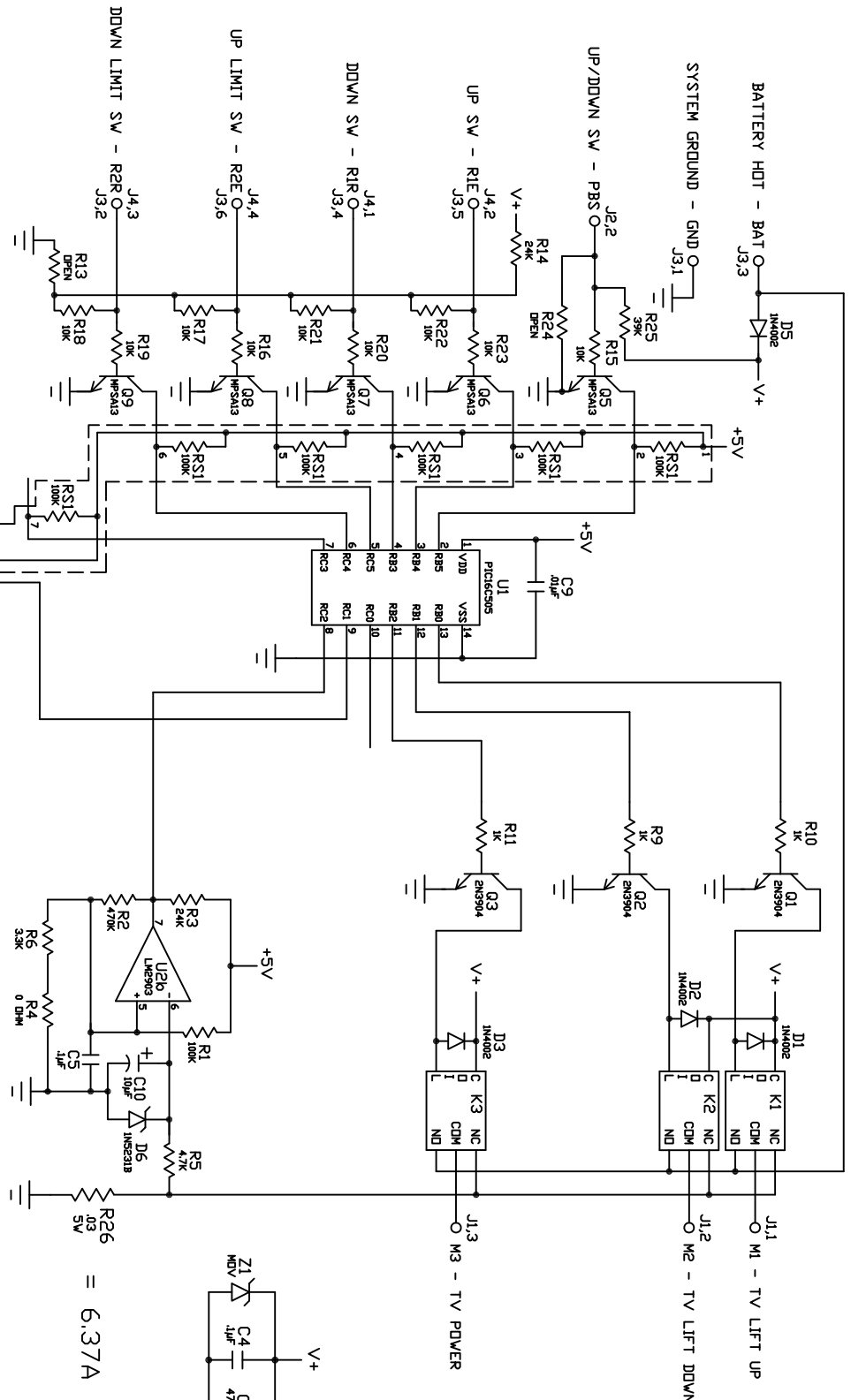
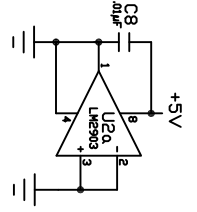
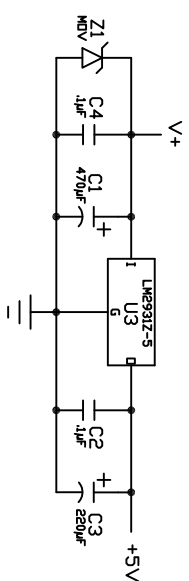


PRODUCTION REVISIONS

REV.	DESCRIPTION	DATE	BY



$$R26 = 6.37A$$



NOTE: NEVER PUT R13 & R14 IN THE SAME BOARD
 LOAD R13 FOR +12V INPUTS & R14 FOR GROUND INPUTS
 LOAD R24 FOR +12V INPUT & R25 FOR GND INPUT ON PBS

CONFIDENTIALITY STATEMENT

THIS DRAWING IS THE PROPERTY OF AMERICAN TECHNOLOGY COMPONENTS, INC. IT IS ONLY TO BE USED IN CONJUNCTION WITH ATC INC. IT SHALL NOT BE COPIED IN ANY WAY, DUPLICATED, OR SUBMITTED TO OTHER PARTIES WITHOUT OUR WRITTEN CONSENT.

PROCESS		APPROVALS		INITIAL	DATE	SCALE	REV.	TITLE
STEP	NEXT	ENGINEERING		TAL	3/13/07	1:1	0	AMERICAN TECHNOLOGY COMPONENTS, INC.
X	X	MANUFACTURING				UNIT: IN	B	2905 LaVenture Place, Elkhart, IN 46514
X	X	SALES DEPT				DNM TOL: .XXX ± .02		PH: (574) 262-1288 FAX: (574) 264-9138
X	X	CUSTOMER				ANG TOL: .XXX ± .005		
X	X					DATE: 3/13/07		
X	X					REV. DATE: 3/13/07		

PART NO: AT-CR-026
 TITLE: TV LIFT MODULE W/TV PWR OUTPUT