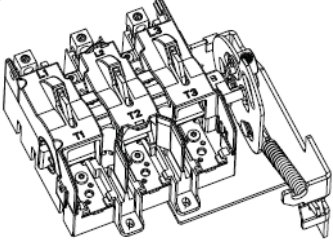
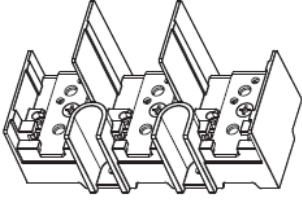




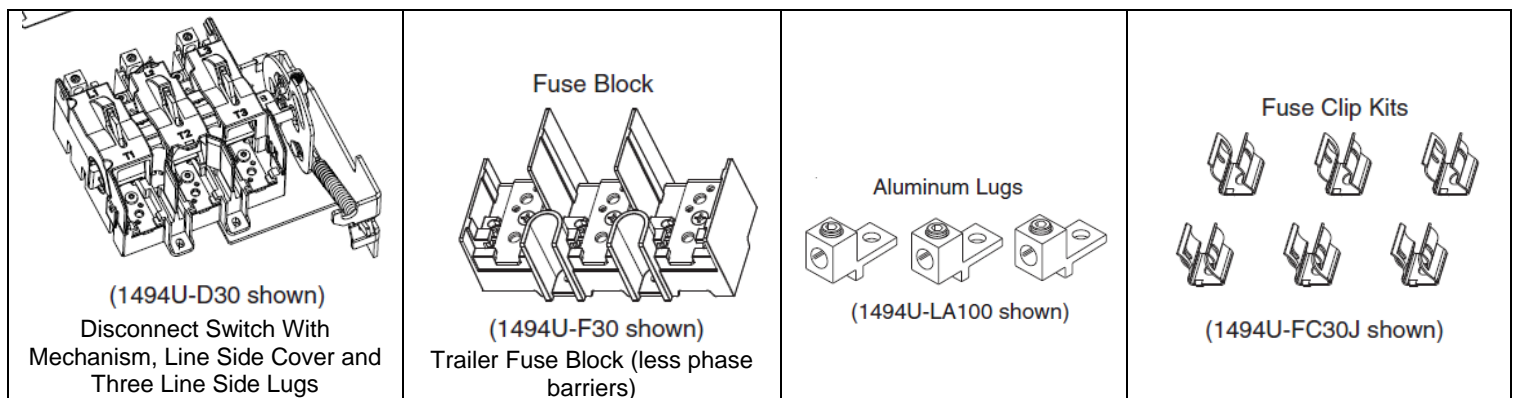
Bulletin 1494G, 1494GX, 1494GY Fusible/Non-Fusible Enclosed Disconnect Switches Renewal Parts – Series 2 Construction

1494G 30 and 60 Amp Disconnect Switch, Trailer Fuse Block and Fuse Clip Repair Parts

 (1494U-D30 shown) Disconnect Switch With Mechanism, Line Side Cover and Three Line Side Lugs				 Fuse Block (1494U-F30 shown) Trailer Fuse Block (less phase barriers)		 Aluminum Lugs (1494U-LA100 shown)		 Fuse Clip Kits (1494U-FC30J shown)	
Amps	Line Voltage	Fuse Clip Rating (A)	Fuse Clip Class	Catalog Number of Disconnect	Disconnect Switch and Mechanism With Line Side Cover and Line Side Lugs	Trailer Fuse Block less Lugs, Fuse Clips and Phase Barriers	Lug Kit for Line or Load Side Lugs (1 kit contains 3 lugs)	Fuse Clip Kit (includes 6 clips)	
30	208 - 240	30	H	1494G-BC3H2 1494G-BF3H2 1494G-BK3H2	1494U-D30	1494U-F30	1494U-LA36	1494U-FC30J	
30	208 - 240	30	J	1494G-BC3J2 1494G-BF3J2 1494G-BK3J2	1494U-D30	1494U-F30	1494U-LA36	1494U-FC30J	
30	208 - 240	30	R	1494G-BC3R2 1494G-BF3R2 1494G-BK3R2	1494U-D30	1494U-F30	1494U-LA36	1494U-FC302R	
30	480 - 600	30	H	1494G-BC3H6 1494G-BF3H6 1494G-BK3H6	1494U-D30	1494U-F30	1494U-LA36	1494U-FC30J	
30	480 - 600	30	J	1494G-BC3J6 1494G-BF3J6 1494G-BK3J6	1494U-D30	1494U-F30	1494U-LA36	1494U-FC30J	
30	480 - 600	30	R	1494G-BC3R6 1494G-BF3R6 1494G-BK3R6	1494U-D30	1494U-F30	1494U-LA36	1494U-FC30R	
60	208 - 240	60	H	1494G-CC3H2 1494G-CF3H2 1494G-CK3H2	1494U-D60	1494U-F60	1494U-LA36	1494U-FC30J	
60	208 - 240	60	J	1494G-CC3J2 1494G-CF3J2 1494G-CK3J2	1494U-D60	1494U-F60	1494U-LA36	1494U-FC30J	
60	208 - 240	60	R	1494G-CC3R2 1494G-CF3R2 1494G-CK3JR	1494U-D60	1494U-F60	1494U-LA36	1494U-FC30R	
60	480 - 600	60	H	1494G-CC3H6 1494G-CF3H6 1494G-CK3H6	1494U-D60	1494U-F60	1494U-LA36	1494U-FC60J	
60	480 - 600	60	J	1494G-CC3J6 1494G-CF3J6 1494G-CK3J6	1494U-D60	1494U-F60	1494U-LA36	1494U-FC60J	
60	480 - 600	60	R	1494G-CC3R6 1494G-CF3R6 1494G-CK3R6	1494U-D60	1494U-F60	1494U-LA36	1494U-FC60R	

Bulletin 1494G, 1494GX, 1494GY Fusible/Non-Fusible Enclosed Disconnect Switches Renewal Parts – Series 2 Construction

1494G 100 Amp Disconnect Switch, Trailer Fuse Block and Fuse Clip Repair Parts

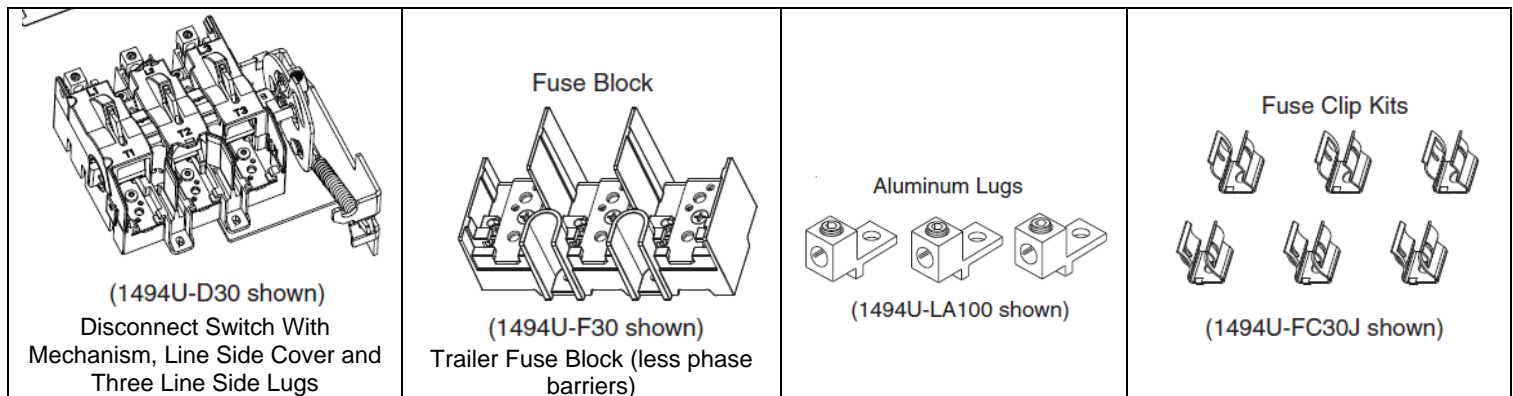


Selecting Fuse Clips to Install a Larger or Smaller Fuse on 1494U Disconnect Switch. The fuse / fuse clip selection rules are listed below:

The 30 Amp 1494U-D30 Disconnect Switch and 1494U-F30 Trailer Fuse Block will accept 30 or 60 amp fuses.
 The 60 Amp 1494U-D60 Disconnect Switch and 1494U-F60 Trailer Fuse Block will accept 60 or 30 amp fuses.
 The 60 Amp 1494U-D60 Disconnect Switch and 1494U-F60 Trailer Fuse Block will not accept 100 Amp fuses.
 The 100 Amp 1494U-D100 Disconnect Switch and 1494U-F100 Trailer Fuse Block will accept 100 Amp fuses.
 The 100 Amp 1494U-D100 Disconnect Switch and 1494U-F100 Trailer Fuse Block will not accept 200 Amp fuses.

Amps	Line Voltage	Fuse Clip Rating (A)	Fuse Clip Class	Catalog Number of Disconnect	Disconnect Switch and Mechanism With Line Side Cover and Line Side Lugs	Trailer Fuse Block less Lugs, Fuse Clips and Phase Barriers	Lug Kit for Line or Load Side Lugs (1 kit contains 3 lugs)	Fuse Clip Kit (includes 6 clips)
100	208 - 240	100	H	1494G-DC3H2 1494G-DJ3H2 1494G-DK3H2	1494U-D100	1494U-F100	1494U-LA100	1494U-FC100J
100	208 - 240	100	J	1494G-DC3J2 1494G-DJ3J2 1494G-DK3J2	1494U-D100	1494U-F100	1494U-LA100	1494U-FC100J
100	208 - 240	100	R	1494G-DC3R2 1494G-DJ3R2 1494G-DK3R2	1494U-D100	1494U-F100	1494U-LA100	1494U-FC100R
100	480 - 600	100	H	1494G-DC3H6 1494G-DF3H6 1494G-DK3H6	1494U-D100	1494U-F100	1494U-LA100	1494U-FC100J
100	480 - 600	100	J	1494G-DC3J6 1494G-DF3J6 1494G-DK3J6	1494U-D100	1494U-F100	1494U-LA100	1494U-FC100J
100	480 - 600	100	R	1494G-DC3R6 1494G-DF3R6 1494G-DK3R6	1494U-D100	1494U-F100	1494U-LA100	1494U-FC100R

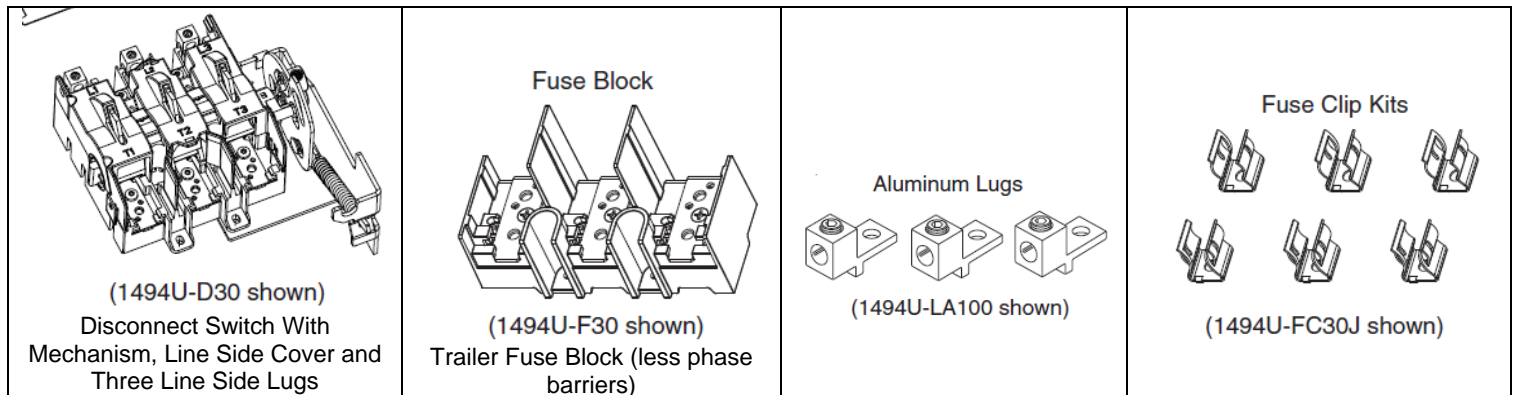
Bulletin 1494G, 1494GX, 1494GY Fusible/Non-Fusible Enclosed Disconnect Switches Renewal Parts – Series 2 Construction



1494GX 30 and 60 Amp Disconnect Switch, Trailer Fuse Block and Fuse Clip Repair Parts

Amps	Line Voltage	Fuse Clip Rating (A)	Fuse Clip Class	Catalog Number of Disconnect	Disconnect Switch and Mechanism With Line Side Cover and Line Side Lugs	Trailer Fuse Block less Lugs, Fuse Clips and Phase Barriers	Lug Kit for Line or Load Side Lugs (1 kit contains 3 lugs)	Fuse Clip Kit (includes 6 clips)
30	208 - 240	30	H	1494GX-BC3H2 1494GX-BF3H2 1494GX-BK3H2	1494U-D30	1494U-F30	1494U-LA36	1494U-FC30J
30	208 - 240	30	J	1494GX-BC3J2 1494GX-BF3J2 1494GX-BK3J2	1494U-D30	1494U-F30	1494U-LA36	1494U-FC30J
30	208 - 240	30	R	1494GX-BC3R2 1494GX-BF3R2 1494GX-BK3R2	1494U-D30	1494U-F30	1494U-LA36	1494U-FC302R
30	480 - 600	30	H	1494GX-BC3H6 1494GX-BF3H6 1494GX-BK3H6	1494U-D30	1494U-F30	1494U-LA36	1494U-FC30J
30	480 - 600	30	J	1494GX-BC3J6 1494GX-BF3J6 1494GX-BK3J6	1494U-D30	1494U-F30	1494U-LA36	1494U-FC30J
30	480 - 600	30	R	1494GX-BC3R6 1494GX-BF3R6 1494GX-BK3R6	1494U-D30	1494U-F30	1494U-LA36	1494U-FC30R
60	208 - 240	60	H	1494GX-CC3H2 1494GX-CF3H2 1494GX-CK3H2	1494U-D60	1494U-F60	1494U-LA36	1494U-FC30J
60	208 - 240	60	J	1494GX-CC3J2 1494GX-CF3J2 1494GX-CK3J2	1494U-D60	1494U-F60	1494U-LA36	1494U-FC30J
60	208 - 240	60	R	1494GX-CC3R2 1494GX-CF3R2 1494GX-CK3JR	1494U-D60	1494U-F60	1494U-LA36	1494U-FC30R
60	480 - 600	60	H	1494GX-CC3H6 1494GX-CF3H6 1494GX-CK3H6	1494U-D60	1494U-F60	1494U-LA36	1494U-FC60J
60	480 - 600	60	J	1494GX-CC3J6 1494GX-CF3J6 1494GX-CK3J6	1494U-D60	1494U-F60	1494U-LA36	1494U-FC60J
60	480 - 600	60	R	1494GX-CC3R6 1494GX-CF3R6 1494GX-CK3R6	1494U-D60	1494U-F60	1494U-LA36	1494U-FC60R

Bulletin 1494G, 1494GX, 1494GY Fusible/Non-Fusible Enclosed Disconnect Switches Renewal Parts – Series 2 Construction



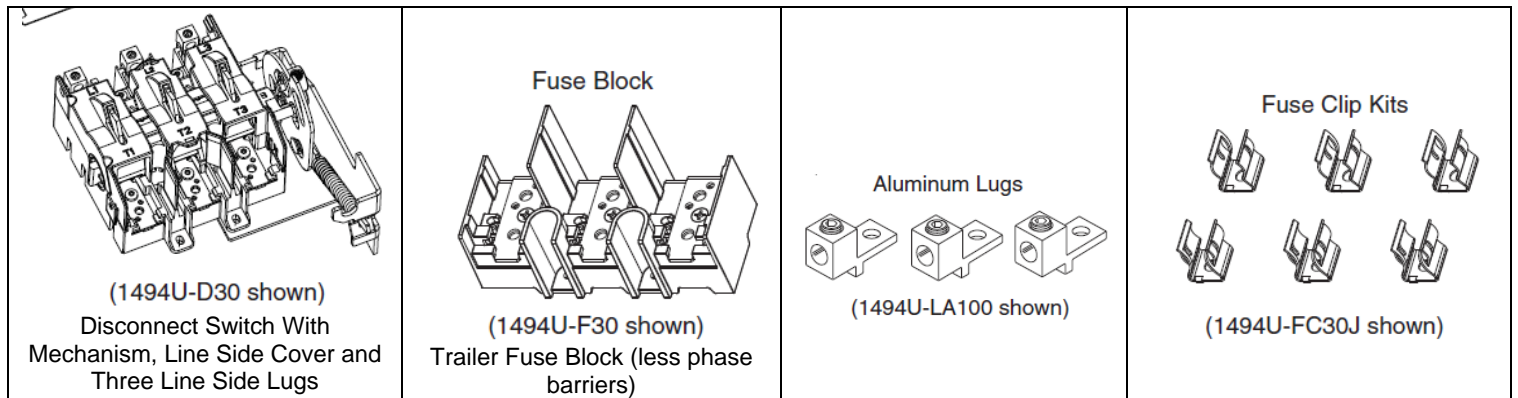
Selecting Fuse Clips to Install a Larger or Smaller Fuse on 1494U Disconnect Switch. The fuse / fuse clip selection rules are listed below:

The 60 Amp 1494U-D60 Disconnect Switch and 1494U-F60 Trailer Fuse Block will accept 60 or 30 amp fuses.
 The 60 Amp 1494U-D60 Disconnect Switch and 1494U-F60 Trailer Fuse Block will not accept 100 Amp fuses.
 The 100 Amp 1494U-D100 Disconnect Switch and 1494U-F100 Trailer Fuse Block will accept 100 Amp fuses.
 The 100 Amp 1494U-D100 Disconnect Switch and 1494U-F100 Trailer Fuse Block will not accept 200 Amp fuses.

1494GX 100 Amp Disconnect Switch, Trailer Fuse Block and Fuse Clip Repair Parts

Amps	Line Voltage	Fuse Clip Rating (A)	Fuse Clip Class	Catalog Number of Disconnect	Disconnect Switch and Mechanism With Line Side Cover and Line Side Lugs	Trailer Fuse Block Less Lugs, Fuse Clips and Phase Barriers	Lug Kit for Line or Load Side Lugs (1 kit contains 3 lugs)	Fuse Clip Kit (includes 6 clips)
100	208 - 240	100	H	1494GX-DC3H2 1494GX-DJ3H2 1494GX-DK3H2	1494U-D100	1494U-F100	1494U-LA100	1494U-FC100J
100	208 - 240	100	J	1494GX-DC3J2 1494GX-DJ3J2 1494GX-DK3J2	1494U-D100	1494U-F100	1494U-LA100	1494U-FC100J
100	208 - 240	100	R	1494GX-DC3R2 1494GX-DJ3R2 1494GX-DK3R2	1494U-D100	1494U-F100	1494U-LA100	1494U-FC100R
100	480 - 600	100	H	1494GX-DC3H6 1494GX-DF3H6 1494GX-DK3H6	1494U-D100	1494U-F100	1494U-LA100	1494U-FC100J
100	480 - 600	100	J	1494GX-DC3J6 1494GX-DF3J6 1494GX-DK3J6	1494U-D100	1494U-F100	1494U-LA100	1494U-FC100J
100	480 - 600	100	R	1494GX-DC3R6 1494GX-DF3R6 1494GX-DK3R6	1494U-D100	1494U-F100	1494U-LA100	1494U-FC100R

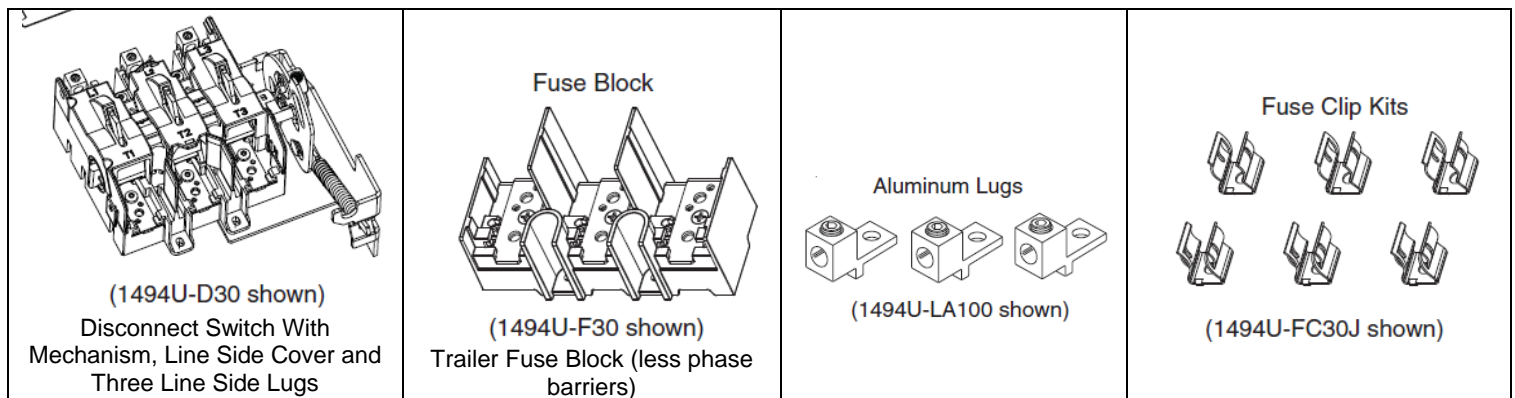
Bulletin 1494G, 1494GX, 1494GY Fusible/Non-Fusible Enclosed Disconnect Switches Renewal Parts – Series 2 Construction



1494GY 30 and 60 Amp Disconnect Switch, Trailer Fuse Block and Fuse Clip Repair Parts

Amps	Line Voltage	Fuse Clip Rating (A)	Fuse Clip Class	Catalog Number of Disconnect	Disconnect Switch and Mechanism With Line Side Cover and Line Side Lugs	Trailer Fuse Block less Lugs, Fuse Clips and Phase Barriers	Lug Kit for Line or Load Side Lugs (1 kit contains 3 lugs)	Fuse Clip Kit (includes 6 clips)
30	208 - 240	30	H	1494GY-BC3H2 1494GY-BF3H2 1494GY-BK3H2	1494U-D30	1494U-F30	1494U-LA36	1494U-FC30J
30	208 - 240	30	J	1494GY-BC3J2 1494GY-BF3J2 1494GY-BK3J2	1494U-D30	1494U-F30	1494U-LA36	1494U-FC30J
30	208 - 240	30	R	1494GY-BC3R2 1494GY-BF3R2 1494GY-BK3R2	1494U-D30	1494U-F30	1494U-LA36	1494U-FC302R
30	480 - 600	30	H	1494GY-BC3H6 1494GY-BF3H6 1494GY-BK3H6	1494U-D30	1494U-F30	1494U-LA36	1494U-FC30J
30	480 - 600	30	J	1494GY-BC3J6 1494GY-BF3J6 1494GY-BK3J6	1494U-D30	1494U-F30	1494U-LA36	1494U-FC30J
30	480 - 600	30	R	1494GY-BC3R6 1494GY-BF3R6 1494GY-BK3R6	1494U-D30	1494U-F30	1494U-LA36	1494U-FC30R
60	208 - 240	60	H	1494GY-CC3H2 1494GY-CF3H2 1494GY-CK3H2	1494U-D60	1494U-F60	1494U-LA36	1494U-FC30J
60	208 - 240	60	J	1494GY-CC3J2 1494GY-CF3J2 1494GY-CK3J2	1494U-D60	1494U-F60	1494U-LA36	1494U-FC30J
60	208 - 240	60	R	1494GY-CC3R2 1494GY-CF3R2 1494GY-CK3JR	1494U-D60	1494U-F60	1494U-LA36	1494U-FC30R
60	480 - 600	60	H	1494GY-CC3H6 1494GY-CF3H6 1494GY-CK3H6	1494U-D60	1494U-F60	1494U-LA36	1494U-FC60J
60	480 - 600	60	J	1494GY-CC3J6 1494GY-CF3J6 1494GY-CK3J6	1494U-D60	1494U-F60	1494U-LA36	1494U-FC60J
60	480 - 600	60	R	1494GY-CC3R6 1494GY-CF3R6 1494GY-CK3R6	1494U-D60	1494U-F60	1494U-LA36	1494U-FC60R

Bulletin 1494G, 1494GX, 1494GY Fusible/Non-Fusible Enclosed Disconnect Switches Renewal Parts – Series 2 Construction



1494GY 100 Amp Disconnect Switch, Trailer Fuse Block and Fuse Clip Repair Parts

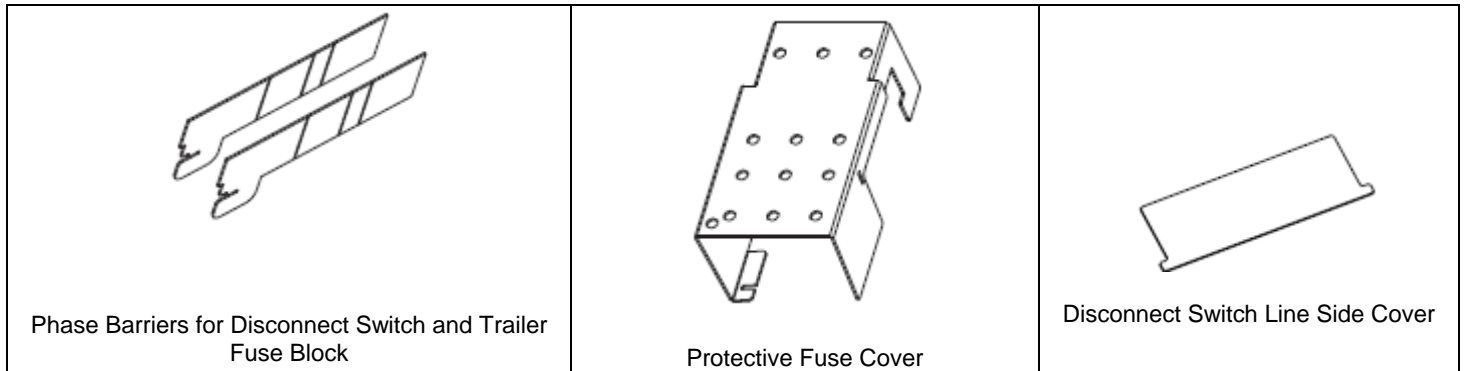
Selecting Fuse Clips to Install a Larger or Smaller Fuse on 1494U Disconnect Switch. The fuse / fuse clip selection rules are listed below:

The 60 Amp 1494U-D60 Disconnect Switch and 1494U-F60 Trailer Fuse Block will accept 60 or 30 amp fuses.
 The 60 Amp 1494U-D60 Disconnect Switch and 1494U-F60 Trailer Fuse Block will not accept 100 Amp fuses.
 The 100 Amp 1494U-D100 Disconnect Switch and 1494U-F100 Trailer Fuse Block will accept 100 Amp fuses.
 The 100 Amp 1494U-D100 Disconnect Switch and 1494U-F100 Trailer Fuse Block will not accept 200 Amp fuses.

Amps	Line Voltage	Fuse Clip Rating (A)	Fuse Clip Class	Catalog Number of Disconnect	Disconnect Switch and Mechanism With Line Side Cover and Line Side Lugs	Trailer Fuse Block Less Lugs, Fuse Clips and Phase Barriers	Lug Kit for Line or Load Side Lugs (1 kit contains 3 lugs)	Fuse Clip Kit (includes 6 clips)
100	208 - 240	100	H	1494GY-DC3H2 1494GY-DJ3H2 1494GY-DK3H2	1494U-D100	1494U-F100	1494U-LA100	1494U-FC100J
100	208 - 240	100	J	1494GY-DC3J2 1494GY-DJ3J2 1494GY-DK3J2	1494U-D100	1494U-F100	1494U-LA100	1494U-FC100J
100	208 - 240	100	R	1494GY-DC3R2 1494GY-DJ3R2 1494GY-DK3R2	1494U-D100	1494U-F100	1494U-LA100	1494U-FC100R
100	480 - 600	100	H	1494GY-DC3H6 1494GY-DF3H6 1494GY-DK3H6	1494U-D100	1494U-F100	1494U-LA100	1494U-FC100J
100	480 - 600	100	J	1494GY-DC3J6 1494GY-DF3J6 1494GY-DK3J6	1494U-D100	1494U-F100	1494U-LA100	1494U-FC100J
100	480 - 600	100	R	1494GY-DC3R6 1494GY-DF3R6 1494GY-DK3R6	1494U-D100	1494U-F100	1494U-LA100	1494U-FC100R

Bulletin 1494G, 1494GX, 1494GY Fusible/Non-Fusible Enclosed Disconnect Switches Renewal Parts – Series 2 Construction

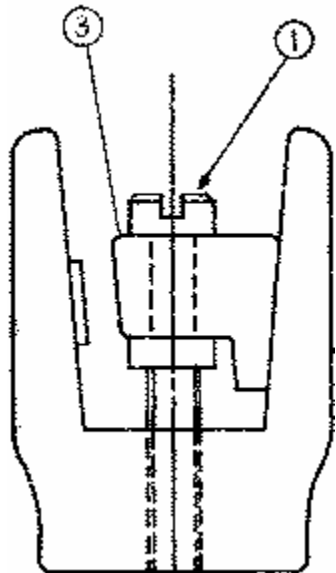
Phase Barriers, Protective Fuse Covers, Line Side Cover Fusible Disconnect Switches and/or Trailer Fuse Block Assemblies
One phase barrier catalog number contains 2 barriers; one for the disconnect switch, one for the trailer fuse block.



Amps	Catalog Number of Disconnect (starting with...)	Phase Barriers for Disconnect Switch and Trailer Fuse Block	Protective Fuse Cover	Disconnect Switch Line Side Cover
30, 60	1494G-B, 1494G-C, 1494GX-G, 1494GX-C, 1494GY-B, 1494GY-C	1494U-PB31 (Pkg Qty 2)	1494U-PC1 (30A - 60A, 250V Class H/R, 30A - 60A, 250V/600V Class J Fuses)	1494U-K31
100	1494G-D, 1494GX-D, 1494GY-D		1494U-PC3 (30A - 60A, 600V Class H/R, 100A, 250V/600V Class H/J/R Fuses)	

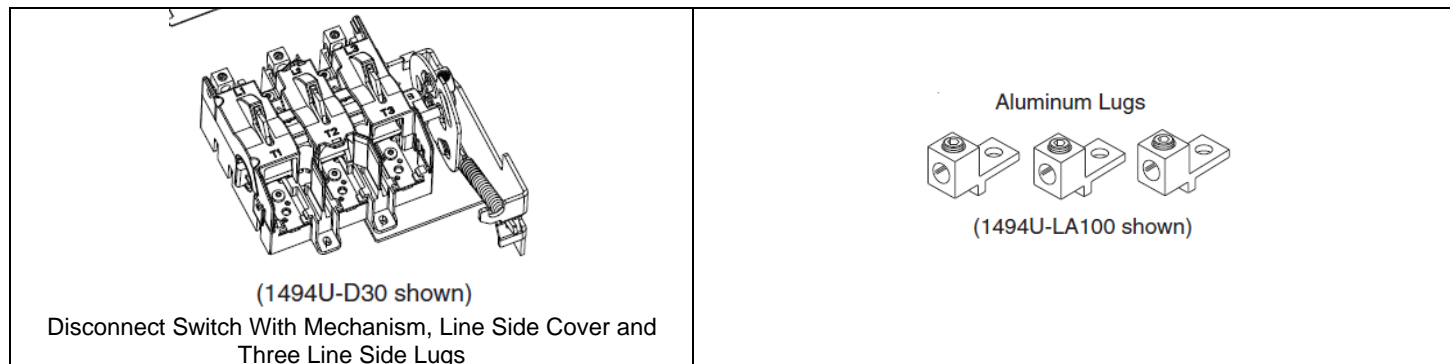
Fuse Clip Kit Repair Parts (Class H, J fuse clips)

Fuse Clip Rating (A)	Fuse Clip Part No. Contains six fuse clips and mounting hardware.	Clamp Screw (Item 1)	Clamp Block (Item 3)
100	1494U-FC100J	40023-110-02	40023-108-02



Bulletin 1494G, 1494GX, 1494GY Fusible/Non-Fusible Enclosed Disconnect Switches Renewal Parts – Series 2 Construction

Non-Fusible Disconnect Switch Repair Parts

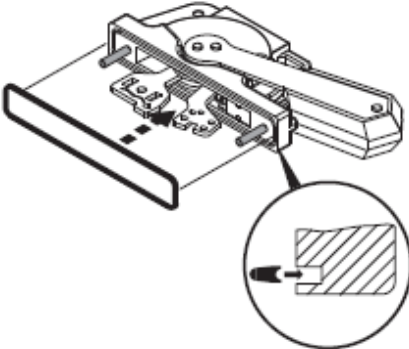

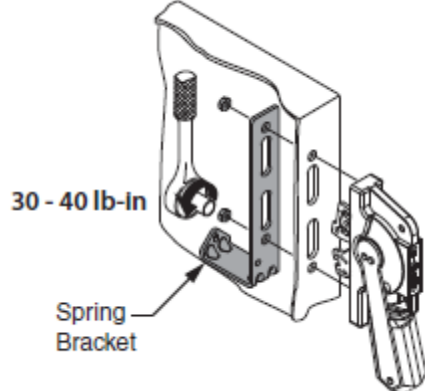
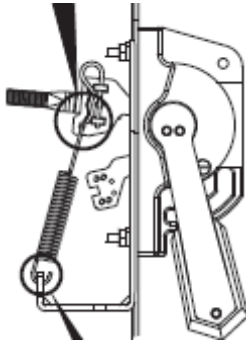


NEMA Size	Line Voltage	Catalog Number of Disconnect Switch	Disconnect Switch and Mechanism With Line Side Cover and Line Side Lugs	Lug Kit for Line or Load Side Lugs (1 kit contains 3 lugs)
30	208	1494G-BC3N, 1494G-BF3N	1494U-D30	1494U-LA36
30	240	1494G-BC3N, 1494G-BF3N	1494U-D30	1494U-LA36
30	480	1494G-BC3N, 1494G-BF3N	1494U-D30	1494U-LA36
30	600	1494G-BC3N, 1494G-BF3N	1494U-D30	1494U-LA36
60	208	1494G-CC3N, 1494G-CF3N	1494U-D60	1494U-LA36
60	240	1494G-CC3N, 1494G-CF3N	1494U-D60	1494U-LA36
60	480	1494G-CC3N, 1494G-CF3N	1494U-D60	1494U-LA36
60	600	1494G-CC3N, 1494G-CF3N	1494U-D60	1494U-LA36
100	208	1494G-DC3N, 1494G-DF3N	1494U-D100	1494U-LA100
100	240	1494G-DC3N, 1494G-DF3N	1494U-D100	1494U-LA100
100	480	1494G-DC3N, 1494G-DF3N	1494U-D100	1494U-LA100
100	600	1494G-DC3N, 1494G-DF3N	1494U-D100	1494U-LA100

Bulletin 1494G, 1494GX, 1494GY Fusible/Non-Fusible Enclosed Disconnect Switches Renewal Parts – Series 2 Construction

Handle and Mechanism Repair Parts

Operating Handle part numbers include two bags of hardware which include the defeater lever, door cover catch, and handle gasket.

 <p>Operating Handle with Studs (1494U-HP1 shown)</p>			 <p>Connecting Rod</p>  <p>30 - 40 lb-in Spring Bracket</p>  <p>Spring for Operating Handle</p>		
			Amps	Catalog Number of Disconnect	Enclosure NEMA Type
30, 60	1494G-BF, 1494G-CF, 1494GX-BF, 1494GX-CF, 1494GY-BF, 1494GY-CF	3R/4/12	1494U-HP1	1494U-R1 ①	Included with 1494U Operating Handle Part Numbers.
30, 60	1494G-BC, 1494G-CC, 1494GX-BC, 1494GX-CC, 1494GY-BC, 1494GY-CC	4/4X (stainless steel)	1494U-HS1	1494U-R1 ①	Included with 1494U Operating Handle Part Numbers.
100	1494G-DF, 1494GX-DF, 1494GY-DF	3R/12	1494U-HP1	1494U-R1 ②	Included with 1494U Operating Handle Part Numbers.
100	1494G-DC, 1494GX-DC, 1494GY-DC	4/4X (stainless steel)	1494U-HS1	1494U-R1 ②	

① Cut the Connecting Rod supplied with the 1494U-R1 Kit to an overall length of 4.40 inches

② Cut the Connecting Rod supplied with the 1494U-R1 Kit to an overall length of 5.0 inches

Bulletin 1494G, 1494GX, 1494GY Fusible/Non-Fusible Enclosed Disconnect Switches Renewal Parts – Series 2 Construction

Miscellaneous Repair Parts

Description of Renewal Part	1494G-B, 1494GX-B, 1494GY-B 30 Amp Switches	1494G-C, 1494GX-C, 1494GY-C 60 Amp Switches	1494G-D, 1494GX-D, 1494GY-D 100 Amp Switches
	Repair Part Number	Repair Part Number	Repair Part Number
Line Lug for Disconnect Switch and Load Lug for Trailer Fuse Block	1494U-LA36 ①	1494U-LA36 ①	1494U-LA100 ①
Optional Copper Lug for Disconnect Switch and Load Lug for Trailer Fuse Block	1494U-LC36 ①	1494U-LC36 ①	1494U-LC100 ①
Auxiliary Contact 1 N.O.	1494U-NO	1494U-NO	1494U-NO
Auxiliary Contact 1 N.C.	1494U-NC	1494U-NC	1494U-NC
Auxiliary Contact 1 N.O. Low Level	1494U-NOLV	1494U-NOLV	1494U-NOLV
Auxiliary Contact 1 N.C. Low Level	1494U-NCLV	1494U-NCLV	1494U-NCLV
Enclosure Conduit Hubs (used only on type 4/4X enclosures)	(2) 1490-N10 (1) 1490-N9	(2) 1490-N10 (1) 1490-N9	(2) 1490-N5; (1) 1490-N9

① Part number contains 3 lugs.