



ELECTRONICS SERVICE MANUAL

P-10

POWER AMPLIFIER



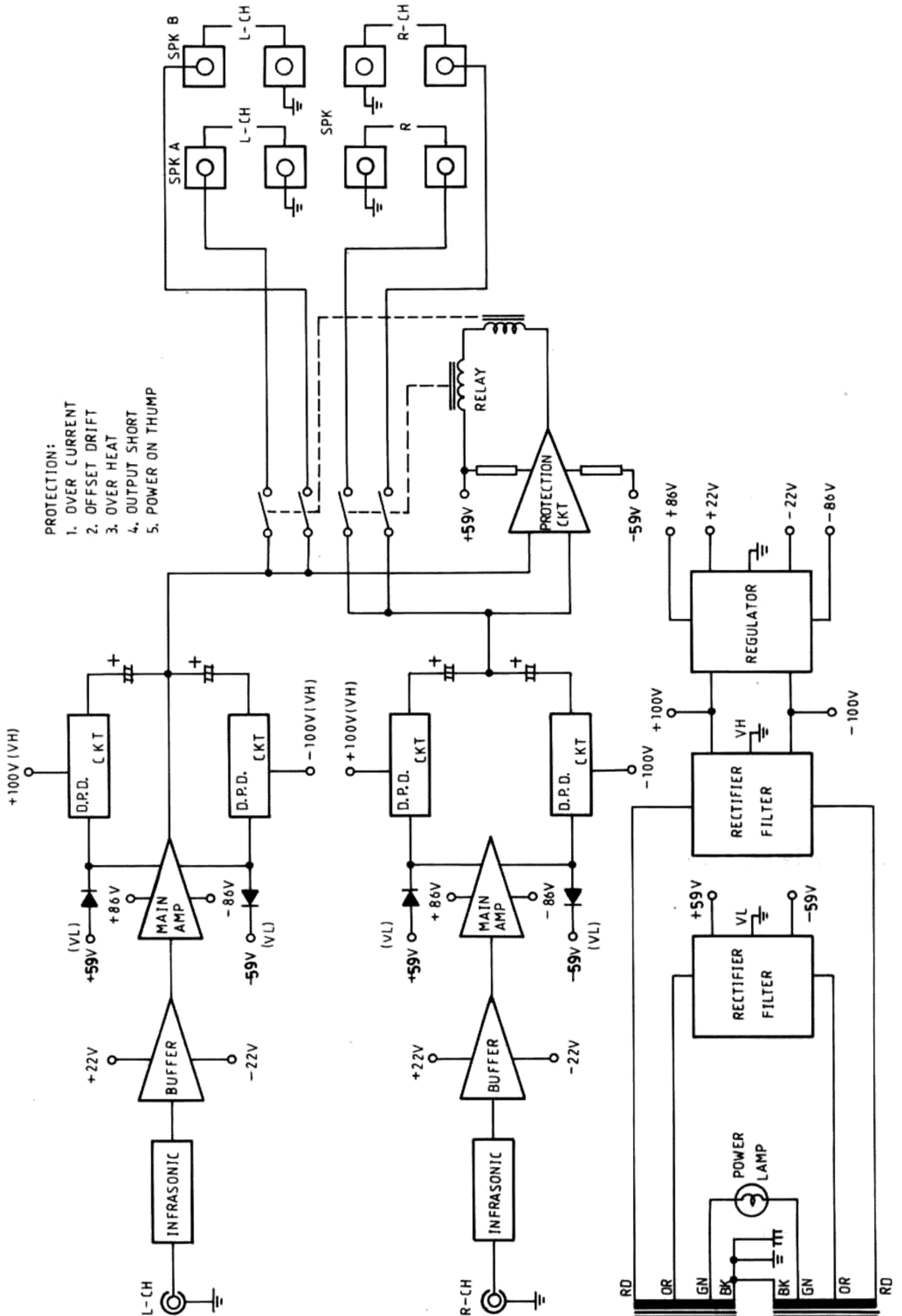
**TELEDYNE
ACOUSTIC RESEARCH**

**330 Turnpike Street, Canton,
Mass. 02021, USA.**

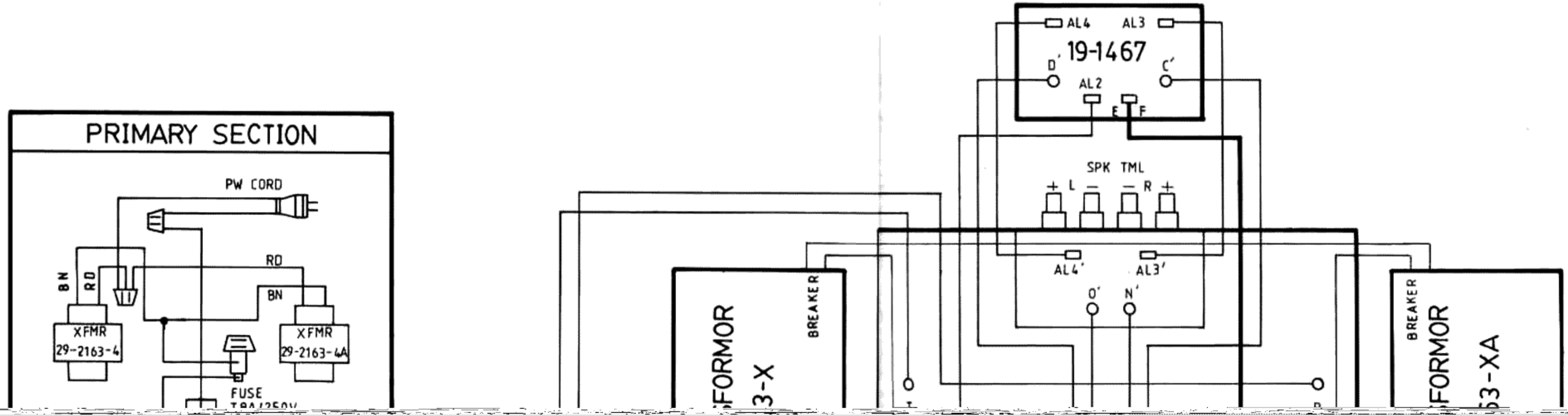
SPECIFICATION

Rated power output (20Hz-20KHz 8 OHM):	120W per channel
Dynamic power at 8 OHM/4 OHM/2 OHM: (I.H.F. Standard 20ms Duration)	400W/800W/1200W
Clipping power at 8 OHM/4 OHM/2 OHM:	125W/175W/220W
Dynamic Headroom at 8 OHM/4 OHM/2 OHM:	6 dB
T.H.D. at Rated power:	0.02%
T.M.D. at Rated power:	0.02%

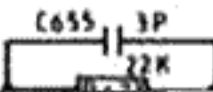
BLOCK DIAGRAM



WIRING DIAGRAM



CIRCUIT DIAGRAM





DCR PARTS LIST LOCATION DOCUMENT



ELECTRICAL PARTS LIST

REF NO.	AR PARTS NO.	DESCRIPTION	MER'S PARTS NO.
RESISTORS (All are carbon film 1/4W +-5% unless noted otherwise)			
R603-R604		47K OHM	16-1/4CA473J
R605-R606		10K OHM	16-1/4CR103J
R607-R608		10K OHM	16-1/4CA103J
R609-R610		150K OHM	16-1/4CA154J
R611-R612		150K OHM	16-1/4CA154J

REF NO.	AR PARTS NO.	DESCRIPTION	MER'S PARTS NO.
CAPACITORS			
C609-C610		ELECTROLYTIC BP 10uF 16V +-20%	17-1.6SF106M
C611-C612		CERAMIC 220pF 50V +-5% SL	17-5DR221JSL
C613-C614		ELECTROLYTIC 47uF 16V +-20%	17-1.6ER476M
C615-C616		MYLAR 0.001uF 50V +-5%	17-5FP102J
C617-C618		MYLAR 0.001uF 50V +-5%	17-5FP102J

ASSEMBLY DIAGRAM

