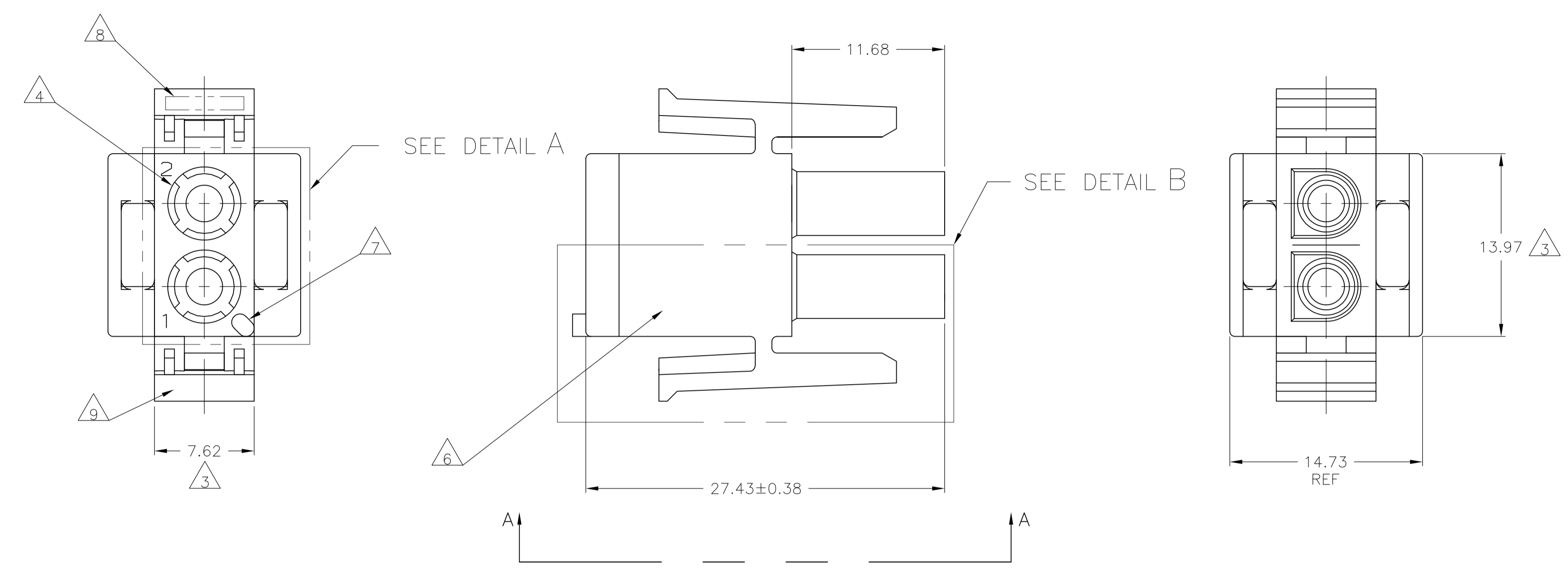
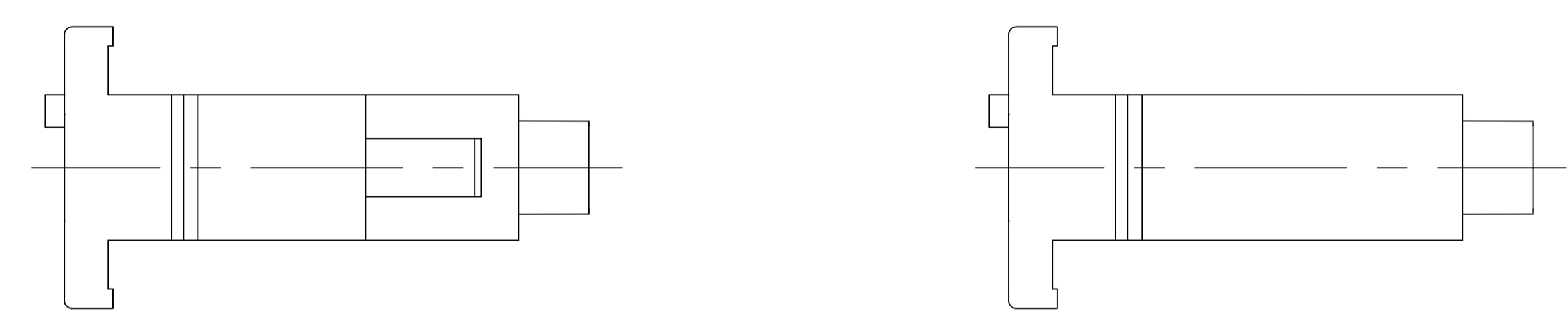


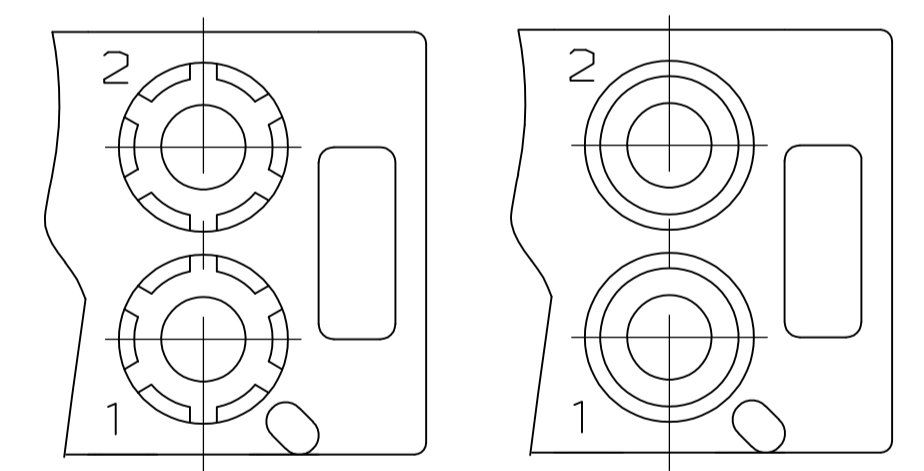
| LOC | DIST | REVISIONS                 |         |     |      |
|-----|------|---------------------------|---------|-----|------|
| P   | LTR  | DESCRIPTION               | DATE    | DMN | APVD |
| CM  | 0    |                           |         |     |      |
| AC  |      | REVISED PER ECR-13-007626 | 09AUG13 | KH  | TM   |



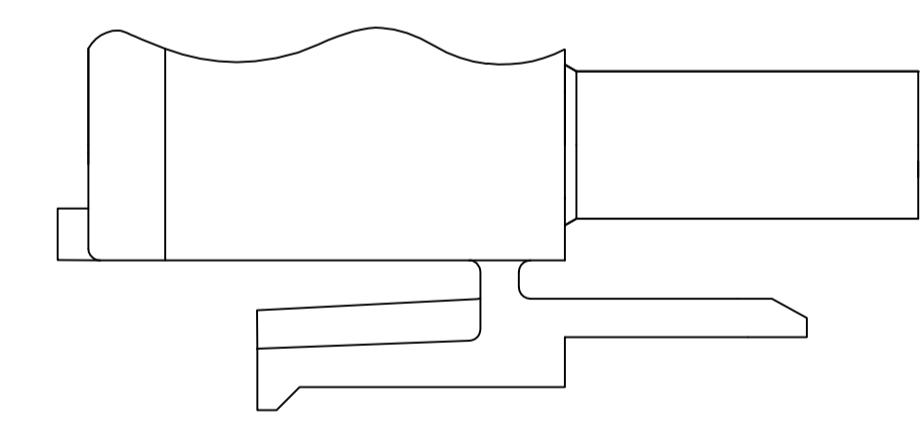
- 1 MATES WITH APPROPRIATE UNIVERSAL MATE-N-LOK™ CAP OR HEADER.
- 2 SMALL NICKS ARE PERMITTED ON THE CIRCUIT TOWERS WHICH COULD INCREASE THE INITIAL HOUSING MATING FORCE BY UP TO 4.4 NEWTONS [1.0] LBS. NO INDIVIDUAL NICKED TOWER SHALL INCREASE THIS FORCE BY OVER 2.2 NEWTONS [.5] LBS.
- 3 DIMENSION INDICATED IS AS MOLDED. ADDITIONAL GROWTH DUE TO SUBSEQUENT MOISTURE ABSORPTION MAY OCCUR.
- 4 FOUR RIBS EQUALLY SPACED, NO SPECIFIC ORIENTATION, NO RIBS OR SIX RIBS EQUALLY SPACED, NO SPECIFIC ORIENTATION, OPTIONAL.
- 5 NOT MANUFACTURED IN U.S.
- 6 UNDERWRITERS RECOGNIZED COMPONENT LOGO AND CSA CERTIFICATION LOGO TO BE LOCATED ONCE ON ANY SIDE OF HOUSING.
- 7 POSITION #1 LOCATOR FEATURE MAY BE ROUND OR OBLONG (AS DEPICTED).
- 8 TRADEMARK LOCATION (AMP OR TE CONNECTIVITY) SHOWN FOR CONVENIENCE, LOGO MAY BE ON ANY EXTERNAL SURFACE.
- 9 MANUFACTURING LOCATION ID (OPTIONAL).



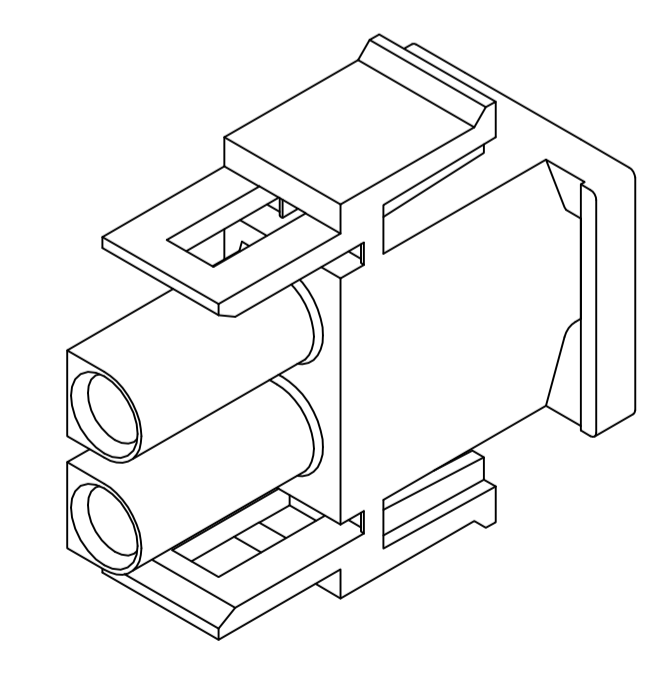
VIEW A-A  
350777-4 ONLY



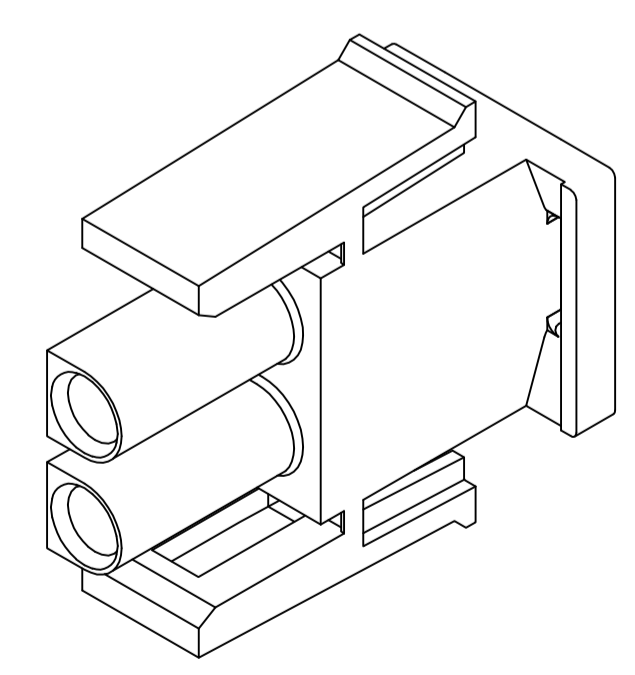
DETAIL A  
OPTIONAL CONSTRUCTION



DETAIL B  
350777-4 ONLY



350777-4 3-DIMENSIONAL MODEL  
NTS



3-DIMENSIONAL MODEL  
NTS

| MM    | IN    |
|-------|-------|
| 27.43 | 1.080 |
| 14.73 | .580  |
| 13.97 | .550  |
| 11.68 | .460  |
| 7.62  | .300  |
| 0.38  | .015  |
| 0.13  | .005  |
| MM    | IN    |

CONVERSION TABLE

|         |             |
|---------|-------------|
| BLACK   | 1-350777-9  |
| GRAY    | 1-350777-8  |
| BLUE    | 1-350777-6  |
| GREEN   | 1-350777-5  |
| YELLOW  | 1-350777-4  |
| ORANGE  | 1-350777-3  |
| RED     | 1-350777-2  |
| BROWN   | 1-350777-1  |
|         | 350777-4    |
| NATURAL | 350777-1    |
| COLOR   | PART NUMBER |

THIS DRAWING IS A CONTROLLED DOCUMENT.

|             |  |                      |                     |   |
|-------------|--|----------------------|---------------------|---|
| DIMENSIONS: | TOLERANCES UNLESS OTHERWISE SPECIFIED: | DIN R VESTAL 24JAN95 | APVD D SELF 24JAN95 | NAME                                      |
| mm          | 0 PLC ± -                              | CHK R SWING 24JAN95  | PRODUCT SPEC        | PLUG, 2 CIRCUIT, UNIVERSAL MATE-N-LOK(TM) |
|             | 1 PLC ± -                              | APVD D SELF 24JAN95  | APPLICATION SPEC    |   |
|             | 2 PLC ± 0.13                           | NAME                 | SIZE                | SCALE                                     |
|             | 3 PLC ± -                              | SIZE                 | CAGE CODE           | DRAWING NO                                |
|             | 4 PLC ± -                              | WEIGHT               | RESTRICTED TO       |   |
|             | ANGLES ± 0°30'                         |                      |                     |   |

MATERIAL: NYLON, FINISH: -

Customer Drawing: A1 00779 C=350777

SCALE: 4:1 SHEET 1 OF 1 REV AC