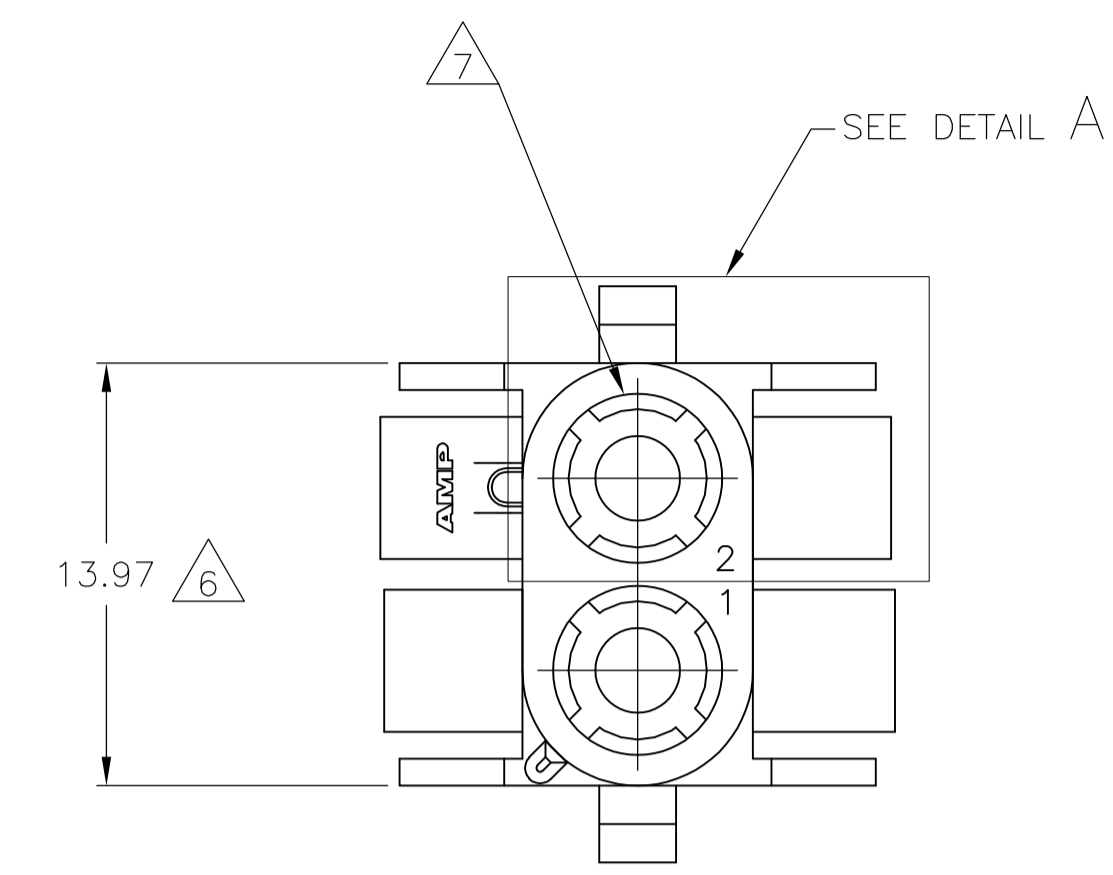
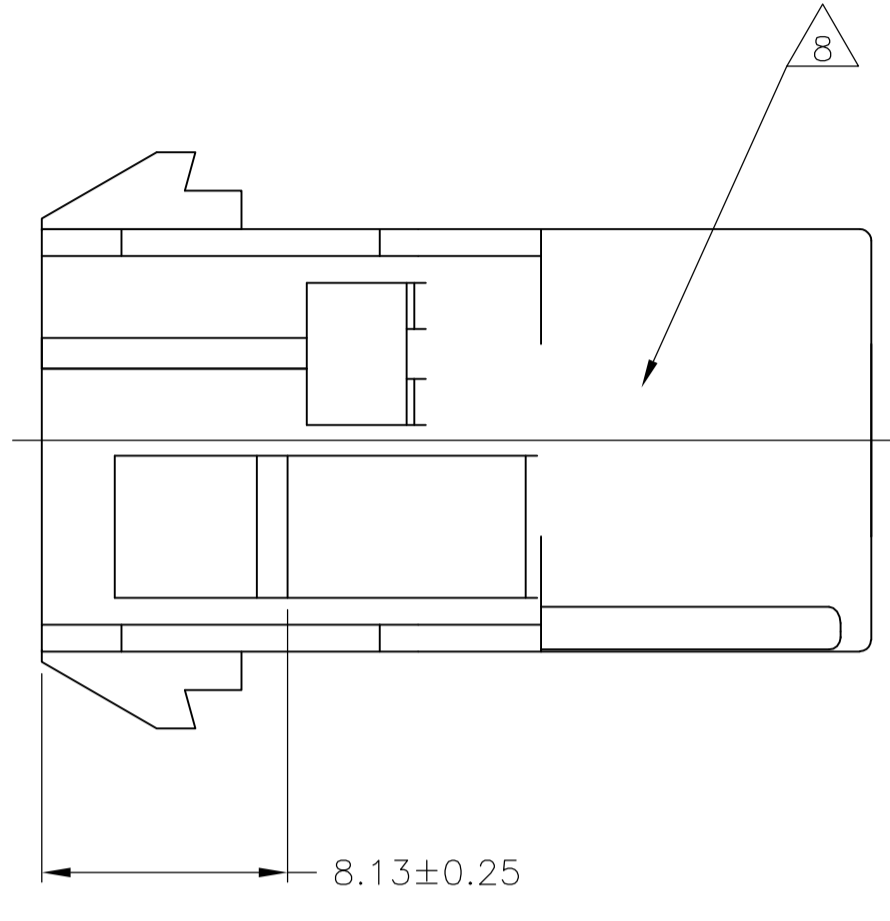
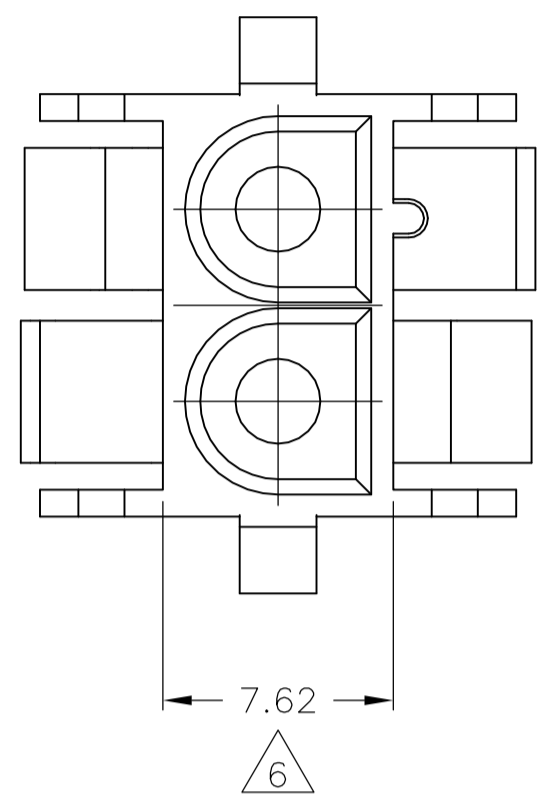
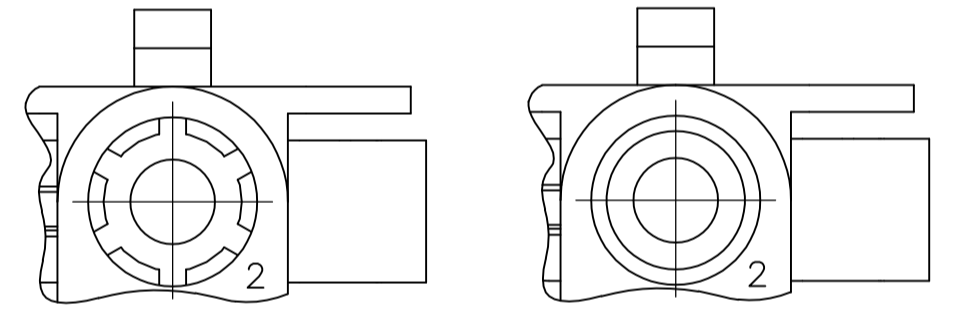


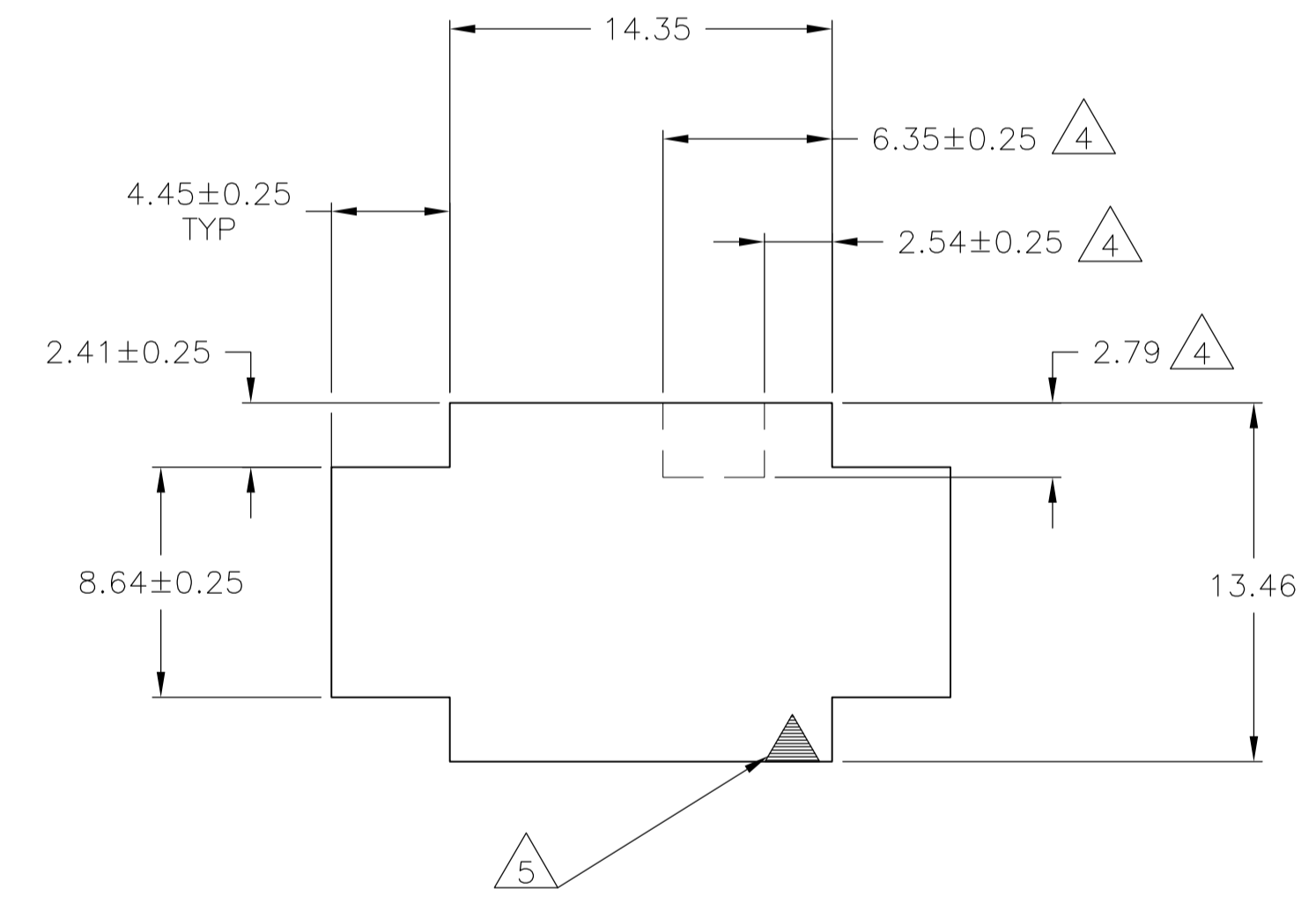
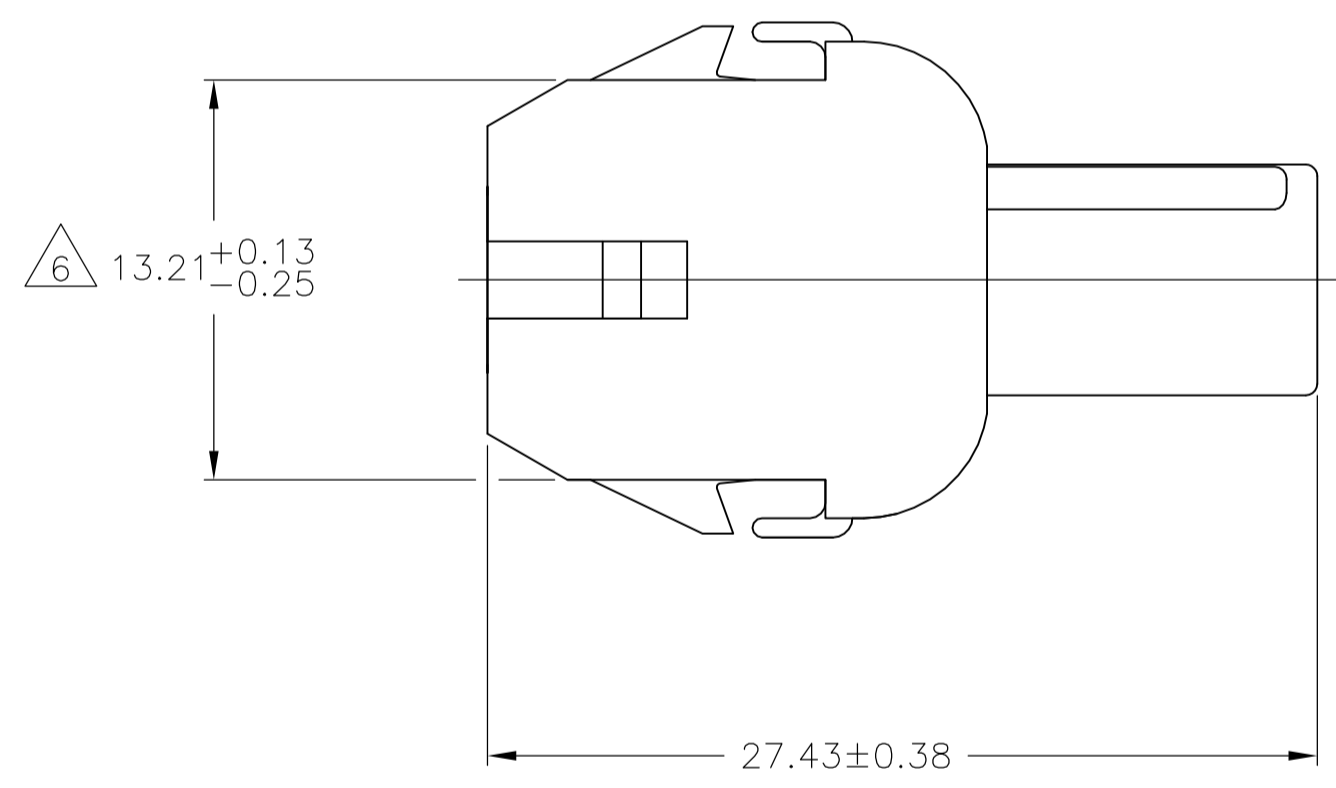
LOC	DIST	REVISIONS			
P	LTR	DESCRIPTION	DATE	DMN	APVD
CM	53	V2 REVISED PER ECO-11-004587	11MAR11	RK	HMR



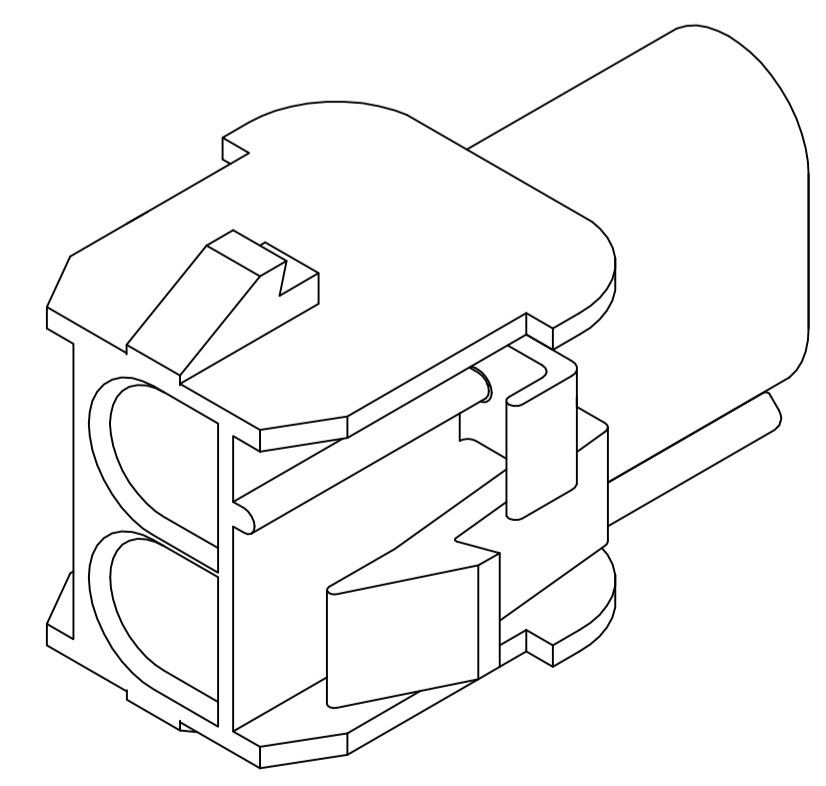
- MATES WITH APPROPRIATE UNIVERSAL MATE-N-LOK™ PLUG.
 - RECOMMENDED PANEL THICKNESS 0.76 - 2.29.
 - PANEL MUST BE PUNCHED SO THAT THE HOUSING ENTERS THE PANEL IN THE SAME DIRECTION AS THE PUNCH.
- ④ OPTIONAL FOR KEYING HOUSING IN PANEL.
 - ⑤ CIRCUIT NUMBER 1 LOCATION.
 - ⑥ DIMENSION INDICATED IS AS MOLDED. ADDITIONAL GROWTH DUE TO SUBSEQUENT MOISTURE ABSORPTION MAY OCCUR.
 - ⑦ FOUR RIBS EQUALLY SPACED, NO SPECIFIC ORIENTATION. NO RIBS OR SIX RIBS EQUALLY SPACED, NO SPECIFIC ORIENTATION, OPTIONAL.
 - ⑧ UNDERWRITERS RECOGNIZED COMPONENT LOGO AND CSA CERTIFICATION LOGO TO BE LOCATED ONCE EACH ON SIDE OF HOUSING.



DETAIL A
OPTIONAL CONSTRUCTIONS



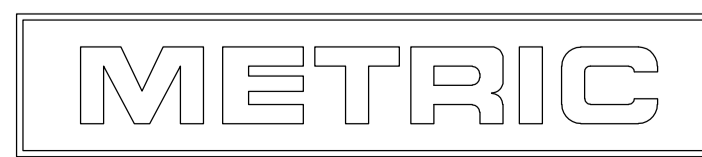
RECOMMENDED PANEL CUT OUT



3-DIMENSIONAL MODEL
NTS

MM	IN	MM	IN
4.45	.175	27.43	1.080
2.79	.110	14.35	.565
2.54	.100	13.97	.550
2.41	.095	13.46	.530
2.29	.090	13.21	.520
0.76	.030	8.64	.340
0.38	.015	8.13	.320
0.25	.010	7.62	.300
0.13	.005	6.35	.250
MM	IN	MM	IN

CONVERSION TABLE



BLACK	1-350778-9
GRAY	1-350778-8
BLUE	1-350778-6
GREEN	1-350778-5
YELLOW	1-350778-4
ORANGE	1-350778-3
RED	1-350778-2
BROWN	1-350778-1
NATURAL	350778-1
COLOR	PART NO

THIS DRAWING IS A CONTROLLED DOCUMENT.

DIMENSIONS:	TOLERANCES UNLESS OTHERWISE SPECIFIED:	DIN K. WHITAKER 24JUL92	CHK R. SWING 24JUL92	NAME	APVD D. SELF 27JUL92
mm	0. PLC ± - 1. PLC ± - 2. PLC ± 0.13 3. PLC ± - 4. PLC ± - ANGLES ± 1°	SIZE	CAGE CODE	DRAWING NO	RESTRICTED TO
MATERIAL NYLON,UL 94V-0	FINISH -	WEIGHT	A1	00779C=350778	-

CUSTOMER DRAWING SCALE 4:1 SHEET 1 OF 1 REV V2

STE TE Connectivity
CAP.2 CIRCUIT, UNIVERSAL MATE-N-LOK™